

Top lid, left & right sides

Sides for 1 top lid

Box side

Box bottom plate

Box side

Sides for 1 top lid

Top Lid - End

Box End - Servo side

Box End

Top Lid - End

Note:  
 These parts nested *quite* closely to fit 24x18" sheet nicely  
 Double-lasering these lines might make them fit a bit loose. Explode and delete over-lapped lines for best results

• **“Do Nothing Box v1.0”**  
 Laser Template

- 3mm Acrylic (don't use clear - ug)
- 60W Helix Settings: 20 speed / 100 power
- Assemble with 4-40 x 3/8" hardware (20 sets, plus screws to mount arm to servo, and optional battery pack screws)
- Hinges made of cellophane (not magic) tape work well

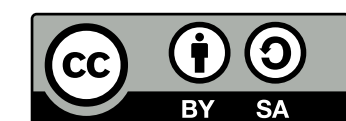
Parts List:

- 1 x GM4 Gear motor
- 1 x BHOLDAA 2-AA battery holder
- 1 x SWT9 SPDT Snap Lever Switch

- 1 x DPDT Toggle Switch (bigger, the better)
- 12" stranded hookup wire
- 20 sets 4-40 nut & 3/8" bolt
- Rubber feet

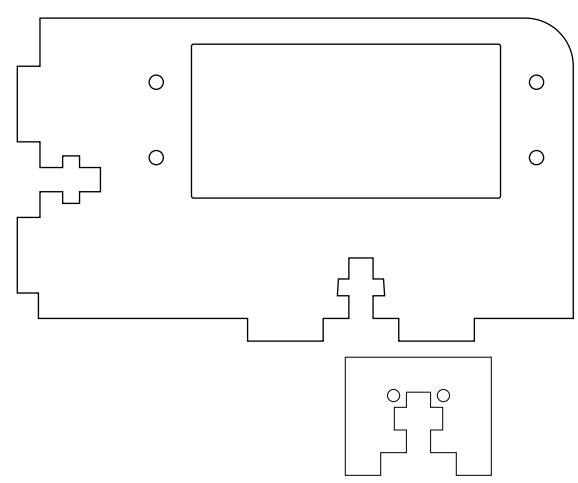
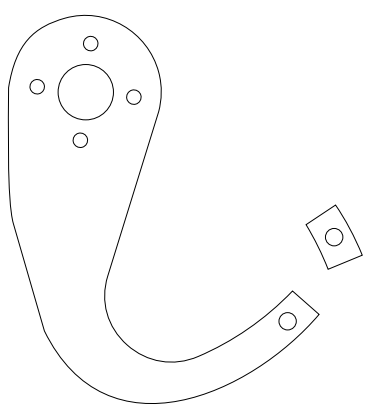
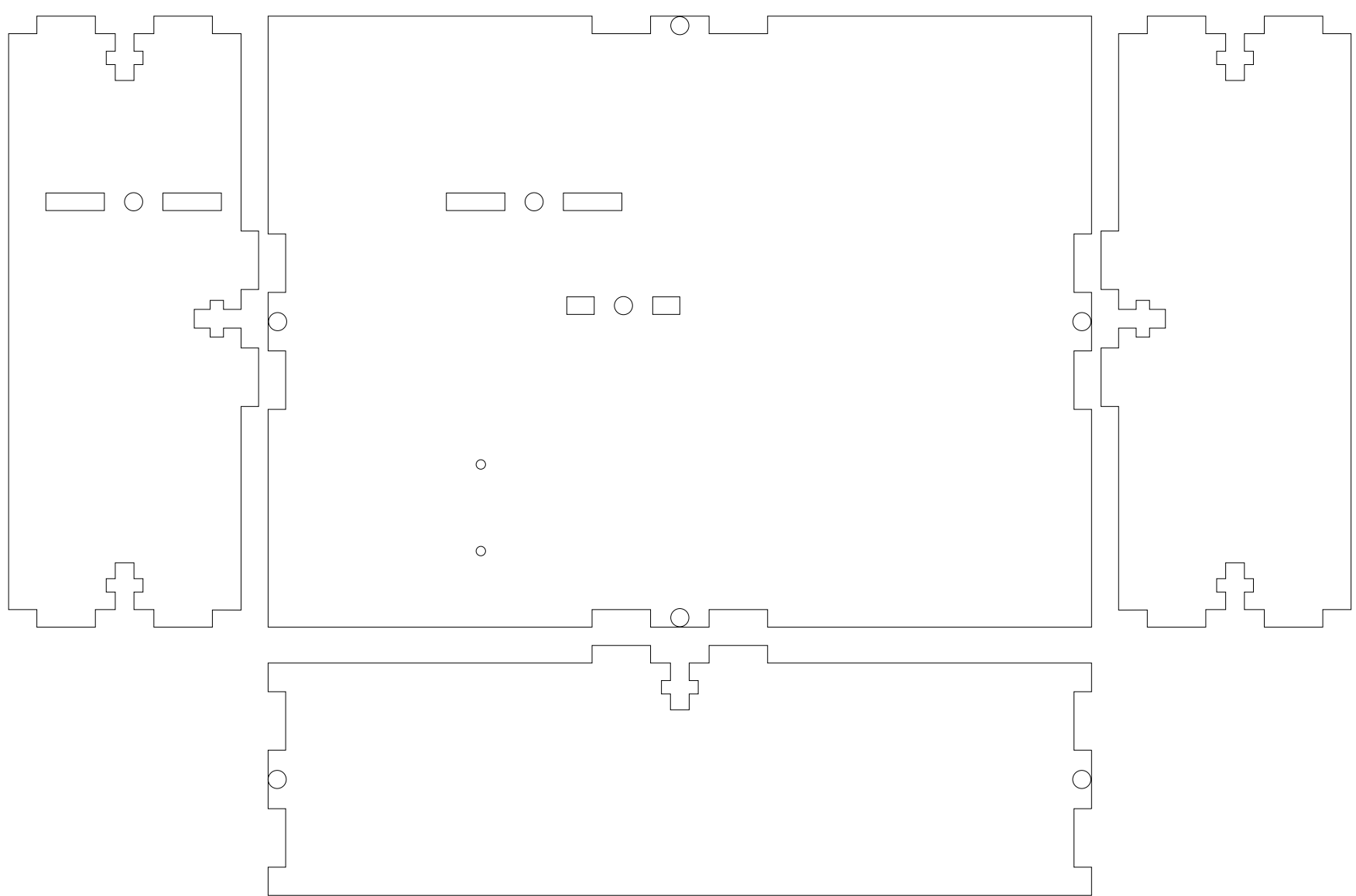
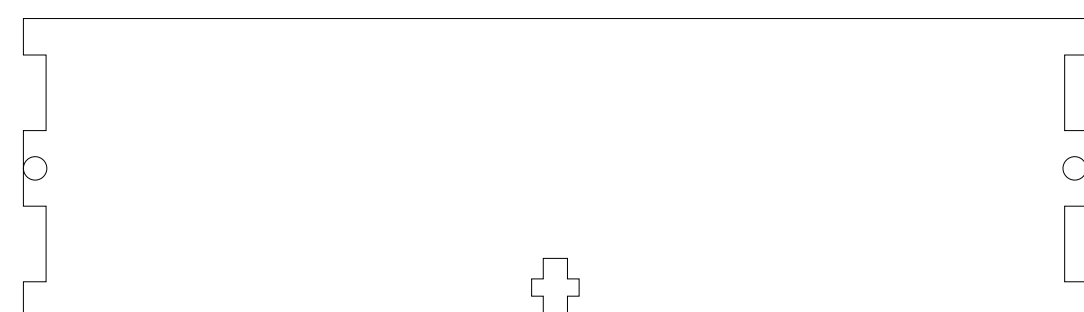
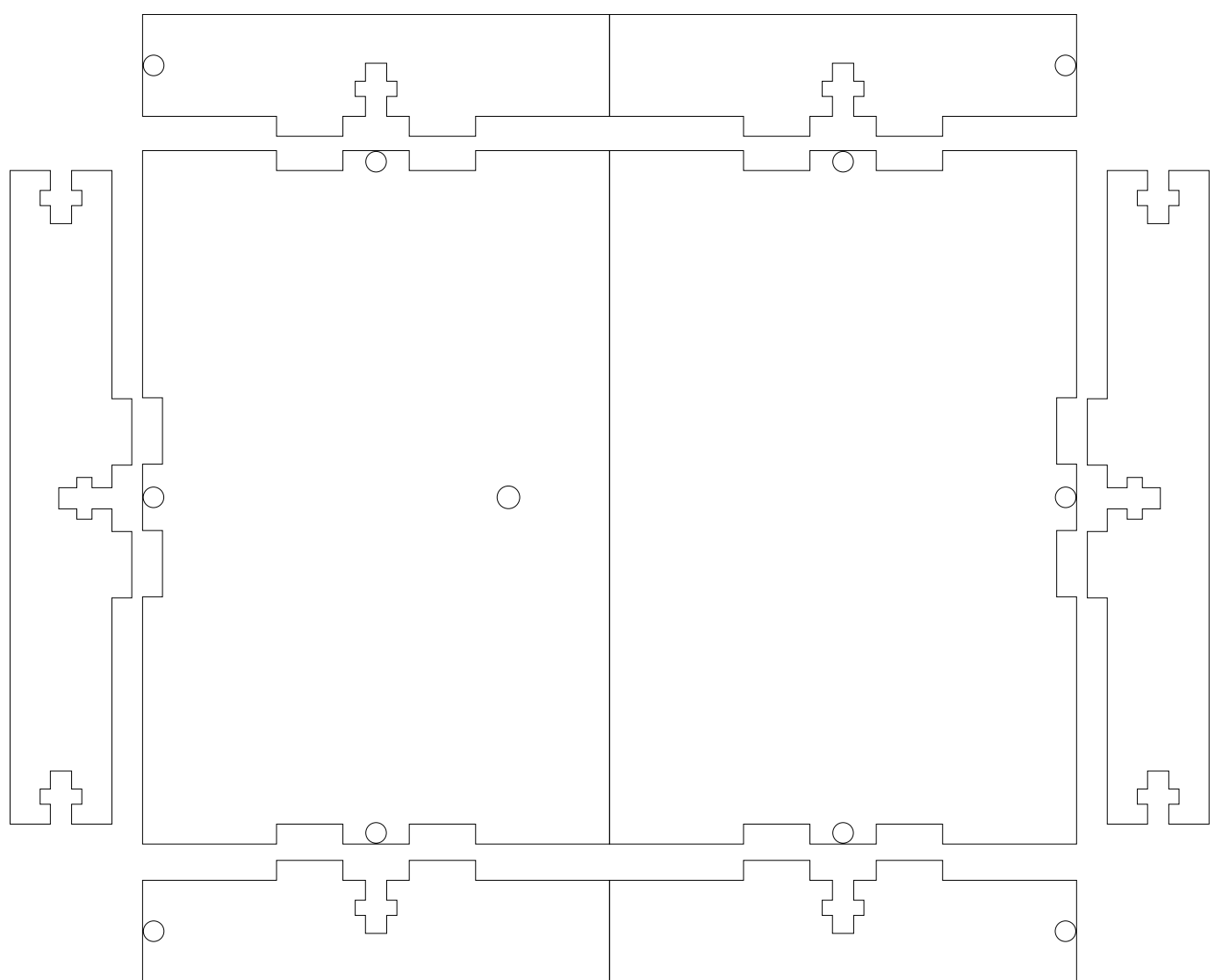


Creative-Commons 2.5 Attribution Share-alike

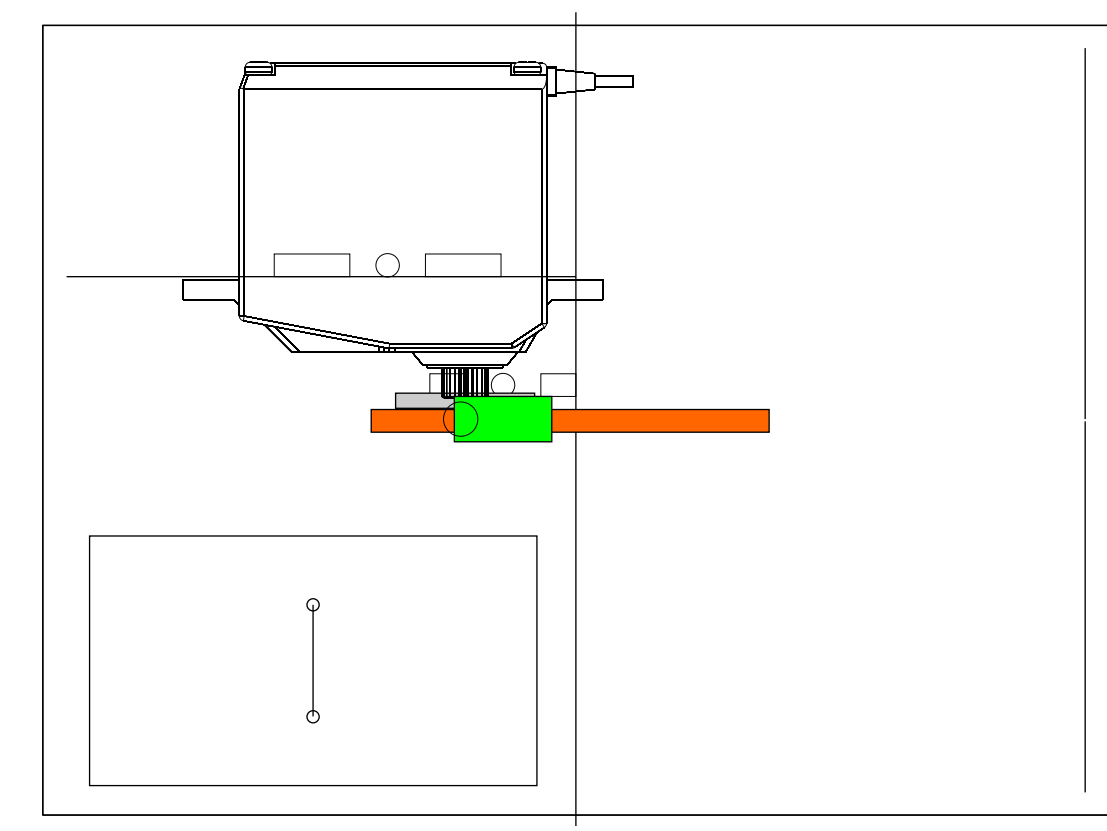
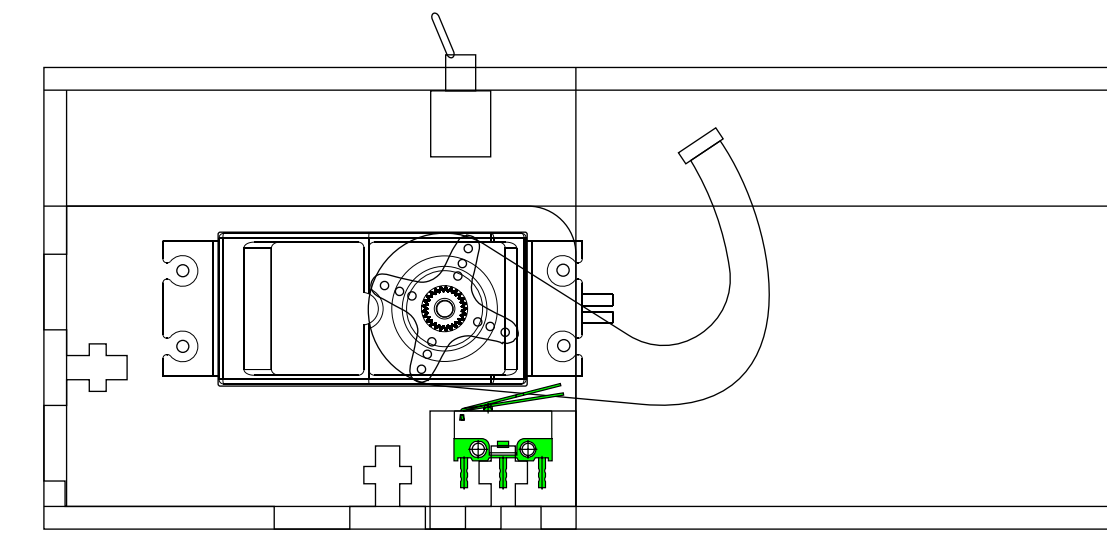


December 7 2010

### General Assembly Pattern:



### Basic Layout diagram (do not scale from this!)



**Useless Box 1.0**  
(see [saskview.com!](http://saskview.com/))



SOLA RBO TICS.COM

