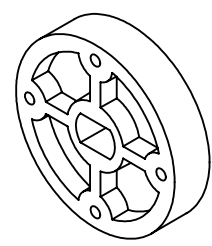
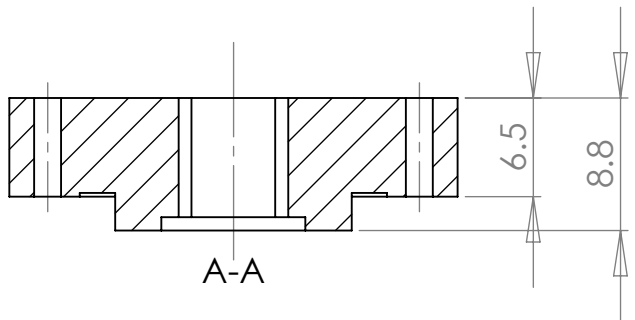
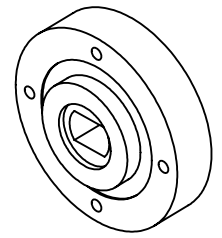


Rear View




Front 3/4 View



Rear 3/4 View

Rev. Date Revision Details

DIMENSIONS ARE IN INCHES TOLERANCES: FRACTIONAL $\pm 1/16"$ ANGULAR: MACH $\pm$ BEND $\pm$ TWO PLACE DECIMAL $\pm 0.02$ THREE PLACE DECIMAL $\pm 0.005$	DRAWN	DMH	DATE	Sep1306	 <b>SOLARBOTICS</b> <sup>®</sup> Solarbotics Ltd. 201 - 35th Avenue N.E. Calgary, Alberta, Canada T2E 2K5 Ph: (403) 232-6268 Fax: (403) 226-3741
	CHECKED				
	ENG APPR.				
	MFG APPR.				
MATERIAL	PRINTED	1/21/2015	PROPRIETARY AND CONFIDENTIAL THE INFORMATION CONTAINED IN THIS DRAWING IS THE SOLE PROPERTY OF SOLARBOTICS. ANY REPRODUCTION IN PART OR AS A WHOLE WITHOUT THE WRITTEN PERMISSION OF SOLARBOTICS IS PROHIBITED.		
Plastic			SIZE	DWG. NO.	REV.
-			A	GMW	
DO NOT SCALE DRAWING			SCALE: 2:1	WEIGHT:	SHEET 2 / 2