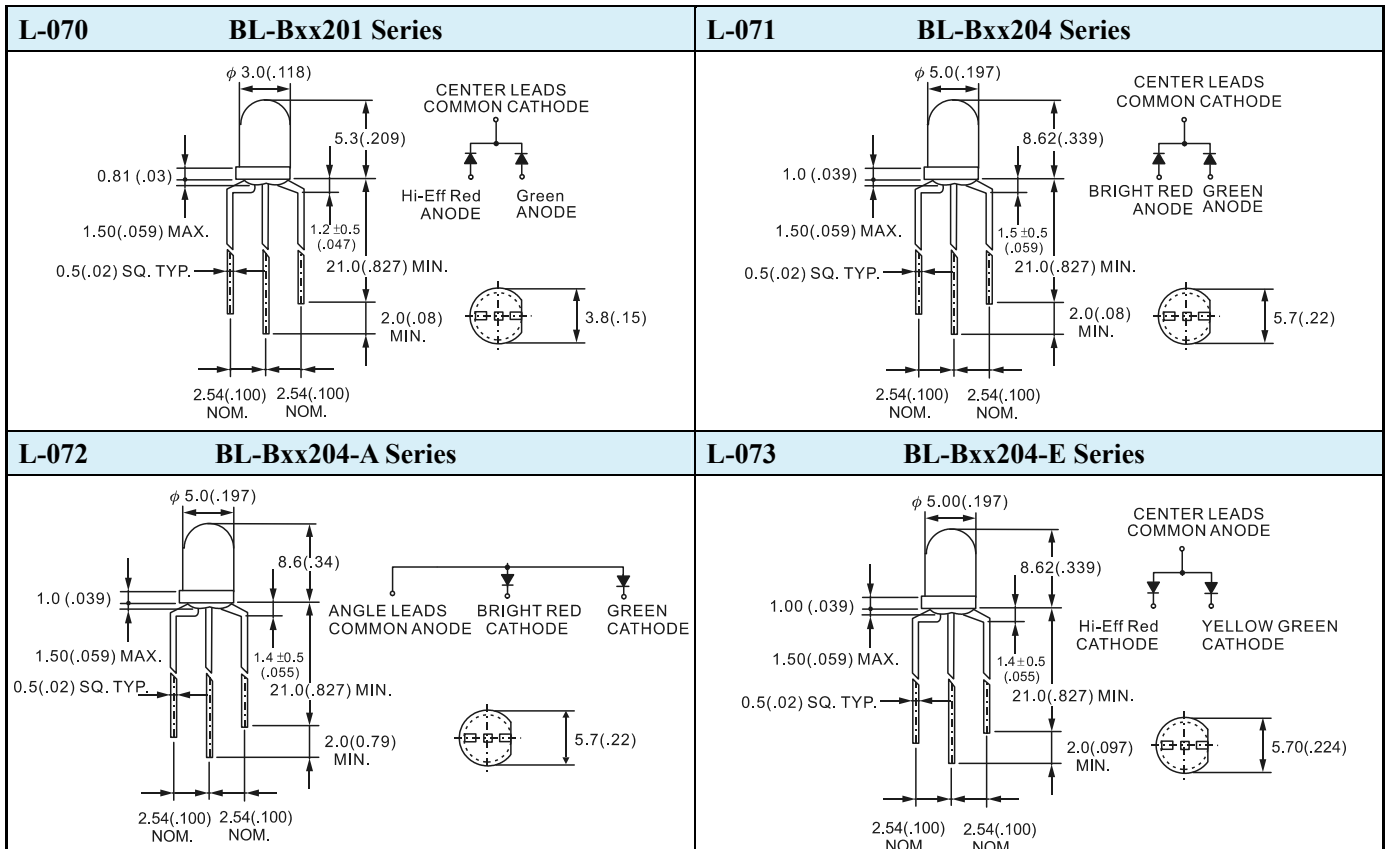


DUAL-CHIP & TRI-STATE LED LAMPS (ROUND TYPES)

Package	Part No.	Chip		Lens Appearance	Absolute Maximum Ratings				Electro-optical Data (At 20mA)			Viewing Angle 2θ 1/2 (deg)	Drawing No.
		Material/Emitted Color	Peak Wave Length λp (nm)		Δλ (nm)	Pd (mw)	If (mA)	Peak (mA)	Vf (V)		Iv (mcd)		
									Typ	Max	Typ.		
T-1 Standard 1.0" Lead 3 φ	BL-BHG201	GaP/GaP/Bright Red	700	White Diffused	90	40	15	50	2.2	2.6	7.0	40	L-070
		GaP/GaP/Yellow Green	568		30	80	30	150	2.2	2.6	35.0		
	BL-BEG201	GaAsP/GaP/Hi-Eff Red	635	White Diffused	45	80	30	150	2.0	2.6	35.0		
		GaP/GaP/Yellow Green	568		30	80	30	150	2.2	2.6	35.0		
	BL-BYG201	GaAsP/GaP/Yellow	585	White Diffused	35	80	30	150	2.1	2.6	30.0		
		GaP/GaP/Yellow Green	568		30	80	30	150	2.2	2.6	35.0		
T-13/4 Standard 1.0" Lead 5 φ	BL-BHG204	GaP/GaP/Bright Red	700	White Diffused	90	40	15	50	2.2	2.6	8.0	50	L-071
		GaP/GaP/Yellow Green	568		30	80	30	150	2.2	2.6	45.0		
	BL-BEG204	GaAsP/GaP/Hi-Eff Red	635	White Diffused	45	80	30	150	2.0	2.6	45.0		
		GaP/GaP/Yellow Green	568		30	80	30	150	2.2	2.6	45.0		
	BL-BYG204	GaAsP/GaP/Yellow	585	White Diffused	35	80	30	150	2.1	2.6	40.0		
		GaP/GaP/Yellow Green	568		30	80	30	150	2.2	2.6	45.0		
T-13/4 Standard 1.0" Lead 5 φ	BL-BHG204-A	GaP/GaP/Bright Red	700	White Diffused	90	40	15	50	2.2	2.6	3.5	50	L-072
		GaP/GaP/Yellow Green	568		30	80	30	150	2.2	2.6	20.0		
	BL-BEG204-A	GaAsP/GaP/Hi-Eff Red	635	White Diffused	45	80	30	150	2.0	2.6	20.0		
		GaP/GaP/Yellow Green	568		30	80	30	150	2.2	2.6	20.0		
	BL-BYG204-A	GaAsP/GaP/Yellow	585	White Diffused	35	80	30	150	2.1	2.6	18.0		
		GaP/GaP/Yellow Green	568		30	80	30	150	2.2	2.6	20.0		
T-1 3/4-Standard 1.0" Lead 5 φ	BL-BHG204-E	GaP/GaP/Bright Red	700	White Diffused	90	40	15	50	2.2	2.6	3.5	50	L-073
		GaP/GaP/Yellow Green	568		30	80	30	150	2.2	2.6	20.0		
	BL-BEG204-E	GaAsP/GaP/Hi-Eff Red	635	White Diffused	45	80	30	150	2.0	2.6	20.0		
		GaP/GaP/Yellow Green	568		30	80	30	150	2.2	2.6	20.0		
	BL-BYG204-E	GaAsP/GaP/Yellow	585	White Diffused	35	80	30	150	2.1	2.6	18.0		
		GaP/GaP/Yellow Green	568		30	80	30	150	2.2	2.6	20.0		

Remark: 1. Hi-Eff Red/High-Efficiency Red.
 2. Trans/Transparent.
 3. 2θ 1/2 The off-axis angle at which the luminous intensity is half the axial luminous intensity.



Notes: 1. All dimensions are in millimeters (inches).
 2. Tolerance is ±0.25mm (.010")