

C Compiler Reference Manual

February 2005

Table Of Contents

Overview	1
PCB, PCM and PCH Overview	1
Technical Support.....	1
Installation	2
Invoking the Command Line Compiler	2
MPLAB Integration	4
Directories	4
File Formats.....	5
Direct Device Programming	5
Device Calibration Data.....	5
Utility Programs	6
PCW IDE	7
File Menu	7
Project Menu	8
Edit Menu	9
Options Menu	10
Compile.....	13
View Menu.....	13
Tools Menu.....	16
Help Menu	18
PCW Editor Keys.....	19
Project Wizard	21
CCS Debugger.....	23
Debugger - Overview.....	23
Debugger - Menu.....	23
Debugger - Configure	23
Debugger - Control.....	24
Debugger- Enable/Disable	24
Debugger - Watches.....	24
Debugger - Breaks	25
Debugger - RAM.....	25
Debugger - ROM	25
Debugger -Data EEPROM	25
Debugger - Stack.....	26
Debugger - Eval.....	26
Debugger - Log.....	26
Debugger - Monitor.....	26
Debugger - Peripherals	27
Debugger - Snapshot	27
Pre-Processor	29

Table Of Contents

PRE-PROCESSOR	29
Pre-Processor Directives	30
#ASM	30
#ENDASM	30
#BIT	34
#BUILD	34
#BYTE	35
#CASE	36
__DATE__	37
#DEFINE	37
#DEVICE	38
__DEVICE__	39
#ERROR	39
__FILE__	40
#FILL_ROM	40
#FUSES	41
#ID	42
#IF expr	43
#ELSE	43
#ELIF	43
#ENDIF	43
#IGNORE_WARNINGS	44
#IFDEF	44
#IFNDEF	44
#ELSE	44
#ELIF	44
#ENDIF	44
#INCLUDE	45
#INLINE	46
#INT_xxxx	46
#INT_DEFAULT	48
#INT_GLOBAL	49
__LINE__	49
#LIST	50
#LOCATE	50
#NOLIST	51
#OPT	51
#ORG	52
__PCB__	53
__PCM__	54
__PCH__	54
#PRAGMA	55
#PRIORITY	55

#RESERVE	56
#ROM	56
#SERIALIZE	57
#SEPARATE	59
__TIME	59
#TYPE	60
#UNDEF	60
#USE DELAY	61
#USE FAST_IO	61
#USE FIXED_IO	62
#USE I2C	63
#USE RS232	64
#USE STANDARD_IO	67
#ZERO_RAM	67
Data Definitions	69
Data Types	69
Function Definition	71
Function Definition	71
Reference Parameters	72
C Statements And Expressions	73
Program Syntax	73
Comment	73
STATEMENTS	74
Expressions	75
Operators	76
Operator Precedence	77
Trigraph Sequences	77
Built-In Functions	79
ABS()	82
ACOS()	82
ASIN()	82
ASSERT()	82
ATOF()	83
atoi()	84
ATOL()	84
atoi32()	84
BIT_CLEAR()	85
BIT_SET()	86
BIT_TEST()	86
CALLOC()	87
CEIL()	88
COS()	88
COSH()	89

Table Of Contents

CLEAR_INTERRUPT()	89
DELAY_CYCLES()	89
DELAY_MS()	90
DELAY_US()	91
DISABLE_INTERRUPTS()	92
DIV()	93
LDIV()	93
ENABLE_INTERRUPTS()	94
ERASE_PROGRAM_EEPROM()	94
EXP()	95
EXT_INT_EDGE()	96
FABS()	97
FLOOR()	97
FMOD()	98
FREE()	98
FREXP()	99
GET_TIMERx()	100
GETC()	101
GETCH()	101
GETCHAR()	101
FGETC()	101
GETENV()	102
GETS()	105
FGETS()	105
GOTO_ADDRESS()	105
I2C_POLL()	106
I2C_READ()	107
I2C_START()	108
I2C_STOP()	108
I2C_WRITE()	109
INPUT()	110
INPUT_STATE()	111
INPUT_x()	111
ISALNUM(char)	112
ISALPHA(char)	112
ISDIGIT(char)	112
ISLOWER(char)	112
ISSPACE(char)	112
ISUPPER(char)	112
ISXDIGIT(char)	112
ISCNTRL(x)	112
ISGRAPH(x)	112
ISPRINT(x)	112

ISPUNCT(x).....	112
ISAMOUNG().....	113
KBHIT().....	114
LABEL_ADDRESS().....	115
LABS().....	116
LCD_LOAD().....	116
LCD_SYMBOL().....	117
LDEXP().....	118
LOG().....	119
LOG10().....	120
MAKE8().....	121
MAKE16().....	121
MAKE32().....	122
MALLOC().....	123
MEMCPY().....	123
MEMMOVE().....	123
MEMSET().....	124
MODF().....	125
OFFSETOF().....	126
OFFSETOFBIT().....	126
OUTPUT_A().....	127
OUTPUT_B().....	127
OUTPUT_C().....	127
OUTPUT_D().....	127
OUTPUT_E().....	127
OUTPUT_BIT().....	127
OUTPUT_FLOAT().....	128
OUTPUT_HIGH().....	129
OUTPUT_LOW().....	130
OUTPUT_TOGGLE().....	130
PERROR().....	131
PORT_A_PULLUPS().....	132
PORT_B_PULLUPS().....	132
POW().....	133
POWER CONTROL PWM.....	134
PRINTF().....	135
FPRINTF().....	135
PSP_OUTPUT_FULL().....	137
PSP_INPUT_FULL().....	137
PSP_OVERFLOW().....	137
PUTC().....	138
PUTCHAR().....	138
FPUTC().....	138

Table Of Contents

PUTS()	139
FPUTS()	139
RAND()	139
READ_ADC()	140
READ_BANK()	141
READ_CALIBRATION()	142
READ_EEPROM()	143
READ_PROGRAM_EEPROM()	144
READ_PROGRAM_MEMORY()	144
READ_EXTERNAL_MEMORY()	144
REALLOC()	145
RESET_CPU()	146
RESTART_CAUSE()	147
RESTART_WDT()	147
ROTATE_LEFT()	148
ROTATE_RIGHT()	149
SET_ADC_CHANNEL()	150
SET_PWM1_DUTY()	151
SET_PWM2_DUTY()	151
SET_PWM3_DUTY()	151
SET_PWM4_DUTY()	151
SET_PWM5_DUTY()	151
SET_POWER_PWMX_DUTY()	152
SET_POWER_PWM_OVERRIDE()	152
SET_RTCC()	153
SET_TIMER0()	153
SET_TIMER1()	153
SET_TIMER2()	153
SET_TIMER3()	153
SET_TIMER4()	153
SET_TRIS_A()	154
SET_TRIS_B()	154
SET_TRIS_C()	154
SET_TRIS_D()	154
SET_TRIS_E()	154
SET_UART_SPEED()	155
SETUP_ADC(mode)	156
SETUP_ADC_PORTS()	157
SETUP_CCP1()	158
SETUP_CCP2()	158
SETUP_CCP3()	158
SETUP_CCP4()	158
SETUP_CCP5()	158

SETUP_COMPARATOR()	159
SETUP_COUNTERS()	160
SETUP_EXTERNAL_MEMORY()	161
SETUP_LCD()	162
SETUP_OSCILLATOR()	162
SETUP_POWER_PWM()	164
SETUP_POWER_PWM_PINS()	165
SETUP_PSP()	166
SETUP_SPI()	167
SETUP_TIMER_0()	167
SETUP_TIMER_1()	168
SETUP_TIMER_2()	169
SETUP_TIMER_3()	170
SETUP_TIMER_5()	172
SETUP_UART()	172
SETUP_VREF()	173
SETUP_WDT()	174
SHIFT_LEFT()	175
SHIFT_RIGHT()	176
SIN()	177
COS()	177
TAN()	177
ASIN()	177
ACOS()	177
ATAN()	177
SINH()	177
COSH()	177
TANH()	177
ATAN2()	177
SINH()	179
SLEEP()	179
SPI_DATA_IS_IN()	180
SPI_READ()	180
SPI_WRITE()	181
PRINTF()	182
SQRT()	183
SRAND()	184
STANDARD STRING FUNCTIONS	184
MEMCHR()	184
MEMCMP()	184
STRCAT()	184
STRCHR()	184
STRCMP()	184

Table Of Contents

STRCOLL()	184
STRCSPN()	184
STRICMP()	184
STRLEN()	184
STRLWR()	185
STRNCAT()	185
STRNCMP()	185
STRNCPY()	185
STRPBRK()	185
STRRCHR()	185
STRSPN()	185
STRSTR()	185
STRXFRM()	185
STRCPY()	187
STRTOD()	187
STRTOK()	188
STRTOL()	189
STRTOUL()	190
SWAP()	191
TAN()	192
TANH()	192
TOLOWER()	192
TOUPPER()	192
WRITE_BANK()	193
WRITE_EEPROM()	194
WRITE_EXTERNAL_MEMORY()	196
WRITE_PROGRAM_EEPROM()	197
WRITE_PROGRAM_MEMORY()	197
Standard C Definitions	199
errno.h	199
float.h	199
limits.h	201
locale.h	201
setjmp.h	201
stddef.h	202
stdio.h	202
stdlib.h	203
Compiler Error Messages	205
Compiler Warning Messages	216
Common Questions And Answers	219
How does one map a variable to an I/O port?	219
Why is the RS-232 not working right?	221
How can I use two or more RS-232 ports on one PIC®?	223

How does the PIC® connect to a PC?	224
What can be done about an OUT OF RAM error?	225
Why does the .LST file look out of order?	226
How does the compiler determine TRUE and FALSE on expressions?	227
Why does the compiler use the obsolete TRIS?	228
How does the PIC® connect to an I2C device?	229
Instead of 800, the compiler calls 0. Why?.....	229
Instead of A0, the compiler is using register 20. Why?	230
How do I directly read/write to internal registers?	231
How can a constant data table be placed in ROM?	232
How can the RB interrupt be used to detect a button press?.....	233
What is the format of floating point numbers?.....	234
Why does the compiler show less RAM than there really is?	235
What is an easy way for two or more PICs® to communicate?	236
How do I write variables to EEPROM that are not a byte?	237
How do I get getch() to timeout after a specified time?.....	238
How can I pass a variable to functions like OUTPUT_HIGH()?	239
How do I put a NOP at location 0 for the ICD?	240
How do I do a printf to a string?	240
How do I make a pointer to a function?	241
How much time do math operations take?	242
How are type conversions handled?	243
Example Programs.....	245
EXAMPLE PROGRAMS.....	245
SOFTWARE LICENSE AGREEMENT	261

Overview

PCB, PCM and PCH Overview

The PCB, PCM and PCH are separate compilers. PCB is for 12 bit opcodes, PCM is for 14 bit opcodes and PCH is for the 16 and 18 bit PICmicro® MCU. Since much is in common among the compilers, all three are covered in this reference manual. Features and limitations that apply to only specific controllers are indicated within. These compilers are specially designed to meet the unique needs of the PICmicro® MCU controllers. These tools allow developers to quickly design application software for these controllers in a highly readable, high-level language.

The compilers have some limitations when compared to a more traditional C compiler. The hardware limitations make many traditional C compilers ineffective. As an example of the limitations, the compilers will not permit pointers to constant arrays. This is due to the separate code/data segments in the PICmicro® MCU hardware and the inability to treat ROM areas as data. On the other hand, the compilers have knowledge about the hardware limitations and do the work of deciding how to best implement your algorithms. The compilers can efficiently implement normal C constructs, input/output operations and bit twiddling operations.

Technical Support

The latest software can be downloaded via the Internet at:

<http://www.ccsinfo.com/download.shtml>

for 30 days after the initial purchase. For one year's worth of updates, you can purchase a Maintenance Plan directly from CCS. Also found on our web page are known bugs, the latest version of the software, and other news about the compiler.

We strive to ensure that each upgrade provides greater ease of use along with minimal, if any, problems. However, this is not always possible. To ensure that all problems that you encounter are corrected in a diligent manner, we suggest that you email us at support@ccsinfo.com outlining your specific problem along with an attachment of your file. This will ensure that solutions can be suggested to correct any problem(s) that may arise. We try to respond in a timely manner and take pride in our technical support.

Secondly, if we are unable to solve your problem by email, feel free to telephone us at (262) 797-0455 x 32. Please have all your supporting documentation on-hand so that your questions can be answered in an efficient manner. Again, we will make every attempt to solve any problem(s) that you may have. Suggestions for improving our software are always welcome and appreciated.

Installation

PCB, PCM, and PCH Installation:

Insert the disk in drive A and from Windows Start|Run type:

A:SETUP

PCW Installation:

Insert CD ROM, select each of the programs you wish to install and follow the on-screen instructions.

Invoking the Command Line Compiler

The command line compiler is invoked with the following command:

```
CCSC options cfilename
```

Valid options:

+FB	Select PCB (12 bit)	-D	Do not create debug file
+FM	Select PCM (14 bit)	+DS	Standard .COD format debug file
+FH	Select PCH (PIC18XXX)	+DM	.MAP format debug file
+FS	Select SXC (SX)	+DC	Expanded .COD format debug file
+ES	Standard error file	+EO	Old error file format
+T	Create call tree (.TRE)	-T	Do not generate a tree file
+A	Create stats file (.STA)	-A	Do not generate a statistics file
+EW	Show warning messages	-EW	Suppress warnings (use with +EA)
+EA	Show all error messages and all warnings	-E	Only show first error
+Yx	Optimization level x (0-9)	+DF	Enables the output of a COFF debug file.

The xxx in the following are optional. If included it sets the file extension:

+LNxxx	Normal list file	+O8xxx	8 bit Intel HEX output file
+LSxxx	MPASM format	+OWxxx	16 bit Intel HEX output file
+LOxxx	Old MPASM list file	+OBxxx	Binary output file
+LYxxx	Symbolic list file	-O	Do not create object file
-L	Do not create list file		

+P	Keep compile status window up after compile
+Pxx	Keep status window up for xx seconds after compile
+PN	Keep status window up only if there are no errors
+PE	Keep status window up only if there are errors
+Z	Keep scratch files on disk after compile
-Z	Do not keep compiler scratch files
+DF	COFF Debug file
I+="..."	Same as I="..." Except the path list is appended to the current list
I="..."	Set include directory search path, for example: <code>I="c:\picc\examples;c:\picc\myincludes"</code> If no I= appears on the command line the .PJT file will be used to supply the include file paths.
-P	Close compile window after compile is complete
+M	Generate a symbol file (.SYM)
-M	Do not create symbol file
+J	Create a project file (.PJT)
-J	Do not create PJT file
+ICD	Compile for use with an ICD
+?	Brings up a help file
-?	Same as +?
#xxx="yyy"	Set a global #define for id xxx with a value of yyy, example: <code>#debug="true"</code>
+Gxxx="yyy"	Same as #xxx="yyy"
+STDOUT	Outputs errors to STDOUT (for use with third party editors)
+SETUP	Install CCSC into MPLAB (no compile is done)
+V	Show compiler version (no compile is done)
+Q	Show all valid devices in database (no compile is done)

A / character may be used in place of a + character. The default options are as follows:

```
+FM +ES +J +DC +Y9 -T -A +M +LNlst +O8hex -P -Z
```

If @filename appears on the CCSC command line, command line options will be read from the specified file. Parameters may appear on multiple lines in the file.

If the file CCSC.INI exists in the same directory as CCSC.EXE, then command line parameters are read from that file before they are processed on the command line.

Examples:

```
CCSC +FM C:\PICSTUFF\TEST.C  
      CCSC +FM +P +T TEST.C
```

MPLAB Integration

MPLAB 5:

If MPLAB is installed before the compiler, then integration with MPLAB is automatic. Otherwise use the following command:

```
CCSC +SETUP
```

MPLAB 6:

A plug-in program must be executed on the computer with MPLAB 6 before MPLAB 6 can use the CCS C compiler. If this plug-in did not come with your version of MPLAB you should download it from the download page of the CCS web site.

The specific instructions for compiling and running from MPLAB will vary depending on the version. In general when creating a project be sure to select the CCS C Compiler as the tool suite, then follow the normal MPLAB instructions.

To download the latest version of MPLAB to go Microchip's web page at: <http://www.microchip.com>

Directories

The compiler will search the following directories for Include files.

- Directories listed on the command line
- Directories specified in the .PJT file
- The same directory as the source file

By default, the compiler files are put in C:\Program Files\PICC and the example programs and all Include files are in C:\Program Files\PICC\EXAMPLES.

The compiler itself is a DLL file. The DLL files are in a DLL directory by default in C:\Program Files\PICC\DLL. Old compiler versions may be kept by renaming this directory.

File Formats

The compiler can output 8 bit hex, 16 bit hex, and binary files. Two listing formats are available. Standard format resembles the Microchip tools and may be required by some third-party tools. The simple format is easier to read. The debug file may either be a Microchip .COD file or Advanced Transdata .MAP file. All file formats and extensions are selected via the **Options|File Formats** menu option in the Windows IDE.

Direct Device Programming

The IDE has a program option in the main menu bar. When invoked, the IDE will issue a command to start the user's device programmer. The commands are specified in the **Options|Debugger/Programmer** window. The %H is replaced with the HEX filename and %D is replaced with the device number. Put a ! at the end of the command line if you would like a pause before returning to IDE. Only programs that can be invoked by a command will work with this option.

Device Calibration Data

Some devices from Microchip have calibration data programmed into the program area when shipped from the factory. Each part has its own unique data. This poses some special problems during development. When an UV erasable (windowed) part is erased, the calibration data is erased as well. Calibration data can be forced into the chip during programming by using a #ROM directive with the appropriate data.

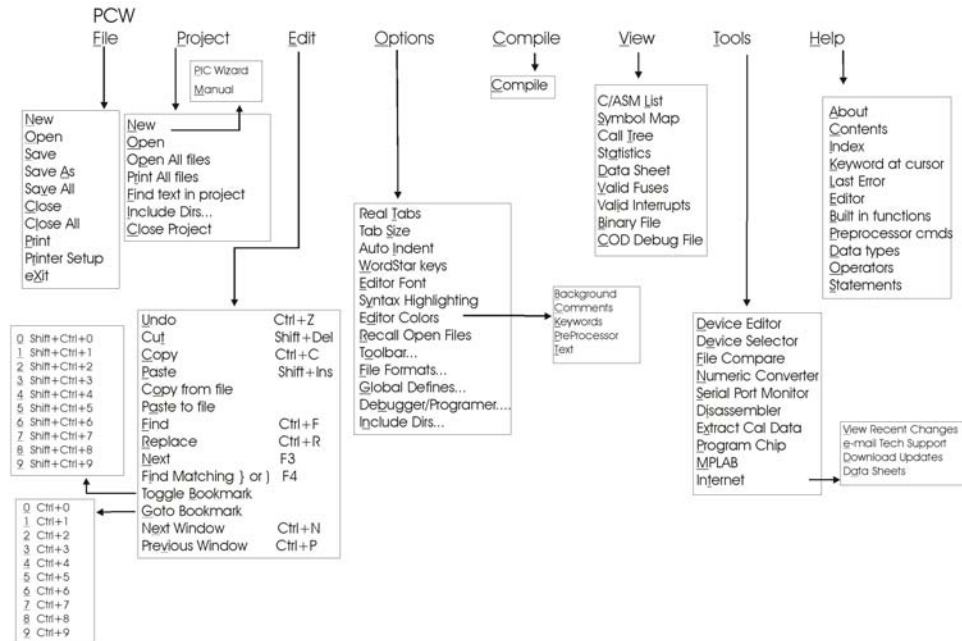
The PCW package includes a utility program to help streamline this process. When a new chip is purchased, the chip should be read into a hex file. Execute the **Tools|Extract Cal Data Utility** and select a name (.C) for this part. The utility will create an Include File with specified name that will have the correct #ROM directives for the part. During prototype development add a #Include directive and change the name before each build to the part # that is about to be programmed. For production (OTP parts) simply comment out the #Include.

Utility Programs

SLOW	SLOW is a Windows utility (PCW only). SLOW is a simple "dumb terminal" program that may be run on a PC to perform input and output over a serial port. SLOW is handy since it will show all incoming characters. If the character is not a normally displayable character, it will show the hex code.
DEVEDIT	DEVEDIT is a Windows utility (PCW only) that will edit the device database. The compiler uses the device database to determine specific device characteristics at compile time. This utility will allow devices to be added, modified or removed. To add a device, highlight the closest equivalent chip and click on COPY. To edit or delete, highlight the device and click on the appropriate button.
PCONVERT	PCONVERT is a Windows utility (PCW only) that will perform conversions from various data types to other types. For example, Floating Point decimal to 4 BYTE Hex. The utility opens a small window to perform the conversions. This window can remain active during a PCW or MPLAB session. This can be useful during debugging.
CCSC +Q	This will list all devices in the compiler database.
CCSC +FM +V	This will show the current compiler version. Replace +FM with +FB or +FH for the other compilers.

PCW IDE

File Menu



New

Creates a new file

Open

Opens a file into the editor. If there are no other files open then the project name is set to this files name. Ctrl-O is the shortcut.

Reopen

Lists all the recently used files and allows the user to open them by selecting the appropriate file.

Save

Saves the file currently selected for editing. Ctrl-S is the shortcut.

Save As

Prompts for a filename to save the currently selected file.

Save All

All open files are saved to disk.

Close	Closes the file currently open for editing. Note that while a file is open in PCW for editing no other program may access the file. Shift F11 is the shortcut.
Close All	Closes all files.
Print	Prints the currently selected file.
Printer Setup	Allows the selection of a printer and the printer settings.
Exit	Terminates PCW

Project Menu

New	Creates a new project. A project may be created manually or via a wizard. If created manually only a .PJT file is created to hold basic project information. An existing .C main file may be specified or an empty one may be created. The wizard will allow the user to specify project parameters and when complete a .C, .H and .PJT file are created. Standard source code and constants are generated based on the specified project parameters.
New PICWIZARD	This command will bring up a number of fill-in-the-blank forms about your new project. RS232 I/O and i2C characteristics, timer options, interrupts used, A/D options, drivers needed and pin names all may be specified in the forms. When drivers are selected, the tool selects pins required and pins that can be combined will be. The user may edit the final pins selections. After all selections are made the initial .c and .h files are created with #defines, #includes and initialization commands required for your project. This is a fast way to start a new project. Once the files are created you cannot return to the menus to make further changes.
Open	A .PJT file is specified and the main source file is loaded.

Open All Files	A .PJT file is specified and all files used in the project are opened. In order for this function to work the program must have been compiled in order for the include files to become known.
Reopen	Lists all the recently used project files and allows the user to open them by selecting the appropriate file.
Find Text In Project	Searches all files in a project for a given text string.
Print All Files	All files in the project are printed. For this function to work the program must have been compiled in order for the include files to become known.
Include Dirs	Allows the specification of each directory to be used to search for include files for just this project. This information is saved in the .PJT file.
Close Project	Closes all files associated with the current project.

Edit Menu

Undo	Undoes the last deletion.
Cut	Moves the selected text from the file to the clipboard.
Copy	Copies the selected text to the clipboard.
Paste	Copies the clipboard contents to the cursor location.
Select All	Highlight all text within the file.
Copy from File	Copies the contents of a file to the cursor location.
Paste to File	Pastes the selected text to a file.
Find	Searches for a specified string in the file.
Replace	Replaces a specified string with a new string.
Next	Performs another Find or Replace.

Match Brace	Highlights the matching { or }. The editor will start counting the open and closed braces and highlight the closing or opening item when they match. Simply place the cursor on one of the items and the matching one will be highlighted.
Match Brace Extended	The text will be highlighted up to the corresponding } or).
Indent Selection	Indents the highlighted text
Toggle Bookmark	Sets a bookmark (0-9) at the cursor location.
Goto Bookmark	Move the cursor to the specified bookmark (0-9).
Next Window	Selects the next open file as the current file for editing.
Previous Window	Selects the previous open file as the current file for editing.
Indent Selection	The selected area of code will be properly indented.

Options Menu

Recall Open Files	When selected PCW will always start with the same files open as were open when it last shut down. When not selected PCW always starts with no files open.
Editor Properties	When clicked the editor brings up a new Editor Properties Window which gives the user a number of options for setting up the editor properties. Editor Properties window have three tabs which are explained below:
General Tab:	Window Settings: The window Settings option allows the user to select the scrollbars for the editor (horizontal and vertical)

Editor Options:

Syntax Highlighting

When checked the editor highlights in color C keywords and comments.

Auto Highlight brackets

When checked the editor highlights the matching brackets automatically when the cursor is placed on one.

Auto Indent

When selected and the ENTER is pressed the cursor moves to the next line under the first character in the previous line. When not selected the ENTER always moves to the beginning of the next line.

WordStar keys

When selected the editing keys are WordStar style. WordStar commands will enable additional keystrokes recognized by the editors. See EDITOR for more information.

TABS:

Tab size

Determines the number of characters between tab positions. Tabs allow you to set the number of spaces equated by a tab and whether or not the tabs are converted to spaces or left as tabs.

Keep Tabs

When selected the editor inserts a tab character (ASCII 9) when the TAB key is pressed.

Insert Spaces

When selected and the TAB key is pressed, spaces are inserted up to the next tab position.

Display
Tab:

Margin

Visible left Margin

When selected the left margin of the editor becomes visible.

Visible Right Margin

When selected the right margin of the editor becomes visible.

Left Margin Width
Width of the left margin.

Right Margin
Position of the right margin.

Editor Font
Selects the font of the editor.

Font Size:
Size of the editor font.

Font Style
Style of the editor font (Italic/Bold/Underline).

Color Tab: This tab allows the user to select the color for syntax highlighting.

Customize This option gives a list of icons that can be added to the tool bar for speedy access of functionalities of the debugger.

File Allows selection of the output file formats.

Formats

Debug File Options

Microchip COD Standard PICmicro® MCU
debug file

RICE16 MAP Used only be older RICE16 S/W
To Extended COD COD file with advanced debug info

List Format Options

Simple A basic format with C code
and ASM

Standard The MPASM standard format with
machine code

Old Older MPASM format

Object file extension The file extension for a HEX file

List file extension The file extension for a list file

Symbolic Includes C symbols within the
assembly

Object File Options

8 bit HEX	8 Bit Intel HEX file
16 bit HEX	16 bit Intel HEX file
Binary	Straight binary (No fuse info)

Error File Options

Standard	Current Microchip standard
Original	Older Microchip standard

Include Dirs	Allows the specification of each directory to be used to search for include files by default for newly created projects. This has no effect on projects already created (use Project Include Dirs to change those).
Debugger/ Programmer	Allows the specification of the device programmer to be used when the PROGRAM CHIP tool is selected.
Global Definitions	Allows the setting of #defines to be used in compiling. This is the same as having some #defines at the top of your program. This may be used for example to set debugging defines without changing the code.

Compile**PCW Compile**

Compiles the current project (name is in lower right) using the current compiler (name is on the toolbar).

View Menu

C/ASM	Opens the listing file in read only mode. The file must have been compiled to view the list file. If open, this file will be updated after each compile. The listing file shows each C source line and the associated assembly code generated for the line.
-------	---

For Example:

```
.....delay_ms (3) ;
0F2:   MOVLW 05
0F3:   MOVWF 08
```

```
0F4:  DESCZ 08,F
0F5:  GOTO 0F4
.....while input(pin_0);
0F6:  BSF 0B,3
```

Symbol Map

Opens the symbol file in read only mode. The file must have been compiled to view the symbol file. If open, this file will be updated after each compile. The symbol map shows each register location and what program variables are saved in each location.

Displays the RAM memory map for the program last compiled. The map indicates the usage of each RAM location. Some locations have multiple definitions since RAM is reused depending on the current procedure being executed.

For Example:

```
08  @SCRATCH
09  @SCRATCH
0A  TRIS_A
0B  TRIS_B
0C  MAIN.SCALE
0D  MAIN.TIME
0E  GET_SCALE.SCALE
0E  PUTHEX.N
0E  MAIN.@SCRATCH
```

Call Tree

Opens the tree file in read only mode. The file must have been compiled to view the tree file. If open, this file will be updated after each compile. The call tree shows each function and what functions it calls along with the ROM and RAM usage for each.

A (inline) will appear after inline procedures that begin with @. After the procedure name is a number of the form s/n where s is the page number of the procedure and n is the number of locations of code storage is required. If s is ?, then this was the last procedure attempted when the compiler ran out of ROM space. RAM=xx indicates the total RAM required for the function.

For Example:

```

Main 0/30
    INIT 0/6
    WAIT_FOR_HOST 0/23 (Inline)
        DELAY US 0/12
    SEND_DATA 0/65

```

Statistics	Opens the stats file in read only mode. The file must have been compiled to view the stats file. If open, this file will be updated after each compile. The statistics file shows each function, the ROM and RAM usage by file, segment and name.
Data Sheet	This tool will bring up Acrobat Reader with the manufacture data sheet for the selected part. If data sheets were not copied to disk, then the CCS CD ROM or a manufacture CD ROM must be inserted.
Binary file	Opens a binary file in read only mode. The file is shown in HEX and ASCII.
COD Debug file	Opens a debug file in read only mode. The file is shown in an interpreted form.
Valid Fuses	Shows a list of all valid keywords for the #fuses directive for this device.
Valid Interrupts	Shows a list of all valid keywords for the #int_xxxx directive and enable/disable _interrupts for this device.

Tools Menu

Device Editor	This tool allows the essential characteristics for each supported processor to be specified. This tool edits a database used by the compiler to control the compilation. CCS maintains this database (Devices.dat) however users may want to add new devices or change the entries for a device for a special application. Be aware if the database is changed and then the software is updated, the changes will be lost. Save your DEVICES.DAT file during an update to prevent this.
Device Selector	This tool uses the device database to allow a parametric selection of devices. By selecting key characteristics the tool displays all eligible devices.
File Compare	Compares two files. When source or text file is selected, then a normal line by line compare is done. When list file is selected the compare may be set to ignore RAM and/or ROM addresses to make the comparison more meaningful. For example if an asm line was added at the beginning of the program a normal compare would flag every line as different. By ignoring ROM addresses then only the extra line is flagged as changed. Two output formats are available. One for display and one for files or printing.
Numeric Converter	A conversion tool to convert between decimal, hex and float.
Serial Port Monitor	An easy to use tool to connect to a serial port. This tool is convenient to communicate with a target program over an RS232 link. Data is shown as ASCII characters and as raw hex.
Disassembler	This tool will take as input a HEX file and will output ASM. The ASM may be in a form that can be used as inline ASM. This command will take a HEX file and generate an

assembly file so that selected sections can be extracted and inserted into your C programs as inline assembly. Options will allow the selection of the assembly format.

- 12 or 14 bit opcodes
- Address, C, MC ASM labels
- Hex or Binary
- Simple, ASM, C numbers

Extract
Cal Data

This tool will take as input a HEX file and will extract the calibration data to a C include file. This may be used to maintain calibration data for a UV erasable part. By including the include file in a program the calibration data will be restored after re-burning the part.

Program Chip

This simply invokes device programmer software with the output file as specified in the Compile\Options window. This command will invoke the device programmer software of your choice. Use the compile options to establish the command line.

MPLAB

Invokes MPLAB with the current project. The project is closed so MPLAB may modify the files if needed. When MPLAB is invoked this way PCW stays minimized until MPLAB terminates and then the project is reloaded.

Internet

These options invoke your WWW browser with the requested CCS Internet page:

Check for Software Updates Automatically starts your internet program and routes to CCS web site to check for new software releases.

Download Software Updates Automatically download new software with a valid reference number.

Maintenance Prices Our current product price list

Compiler News	An internet site devoted to the current happenings of the PIC.
PIC Web Resources	View a web site dedicated for hardware and software for the PIC.
Data Sheets for Device Drivers	A list of various manufacture data sheets for devices CCS has device drivers for (such as EEPROMs, A/D converters, RTC...)

Help Menu

About	Shows the version of the IDE and each installed compiler.
Contents	The help file table of contents.
Index	The help file index.
Keyword at cursor	Does an index search for the keyword at the cursor location. Press F1 to use this feature.
F12	Bring up help index
Shift F12	Bring up editor help

PCW Editor Keys

Cursor Movement	
Left Arrow	Move cursor one character to the left
Right Arrow	Move cursor one character to the right
Up Arrow	Move cursor one line up
Down Arrow	Move cursor one line down
Ctrl Left Arrow	Move cursor one word to the left
Ctrl Right Arrow	Move cursor one word to the right
Home	Move cursor to start of line
End	Move cursor to end of line
Ctrl PgUp	Move cursor to top of window
Ctrl PgDn	Move cursor to bottom of window
PgUp	Move cursor to previous page
PgDn	Move cursor to next page
Ctrl Home	Move cursor to beginning of file
Ctrl End	Move cursor to end of file
Ctrl S	Move cursor one character to the left
Ctrl D	Move cursor one character to the right
Ctrl E	Move cursor one line up
Ctrl X	** Move cursor one line down
Ctrl A	Move cursor one word to the left
Ctrl F	Move cursor one word to the right
Ctrl Q S	Move cursor to top of window
Ctrl Q D	Move cursor to bottom of window
Ctrl R	Move cursor to beginning of file
Ctrl C	* Move cursor to end of file
Shift ~	Where ~ is any of the above: Extend selected area as cursor moves

Editing Commands	
F4	Select next text with matching() or {}
Ctrl #	Goto bookmark # 0-9
Shift Ctrl #	Set bookmark # 0-9
Ctrl Q #	Goto bookmark # 0-9
Ctrl K #	Set bookmark # 0-9
Ctrl W	Scroll up
Ctrl Z	* Scroll down
Del	Delete the following character
BkSp	Delete the previous character
Shift BkSp	Delete the previous character
Ins	Toggle Insert/Overwrite mode
Ctrl Z	** Undo last operation
Shift Ctrl Z	Redo last undo
Alt BkSp	Restore to original contents
Ctrl Enter	Insert new line
Shift Del	Cut selected text from file
Ctrl Ins	Copy selected text
Shift Ins	Paste
Tab	Insert tab or spaces
Ctrl Tab	Insert tab or spaces
Ctrl P ~	Insert control character ~ in text
Ctrl G	Delete the following character
Ctrl T	Delete next word
Ctrl H	Delete the previous character
Ctrl Y	Delete line
Ctrl Q Y	Delete to end of line
Ctrl Q L	Restore to original contents
Ctrl X	** Cut selected text from file
Ctrl C	** Copy selected text
Ctrl V	Paste
Ctrl K R	Read file at cursor location
Ctrl K W	Write selected text to file
Ctrl-F	** Find text
Ctrl-R	** Replace text
F3	Repeat last find/replace

* Only when WordStar mode selected

** Only when WordStar mode is not selected

Project Wizard

The new project wizard makes starting a new project easier.

After starting the Wizard you are prompted for the name for your new main c file. This file will be created along with a corresponding .h file.

The tabbed notebook that is displayed allows the selection of various project parameters. For example:

- General Tab -> Select the device and clock speed
- Communications tab --> Select RS232 ports
- I/O Pins tab --> Select you own names for the various pins

When any tab is selected you may click on the blue square in the lower right and the wizard will show you what code is generated as a result of your selections in that screen.

After clicking OK all the code is generated and the files are opened in the PCW editor

This command will bring up a number of fill-in-the-blank forms about your new project. RS232 I/O and 12C characteristics, timer options, interrupts used, A/D options, drivers needed and pin names all may be specified in the forms. When drivers are selected, the tool will select required pins and pins that can be combined will be. The user may edit the final pins selections. After all selections are made an initial .c and .h files are created with #defines, #includes and initialization commands require for your project. This is a fast way to start a new project. Once the files are created you cannot return to the menus to make further changes.

CCS Debugger

Debugger - Overview

The PCW IDE comes with a built in debugger. The debugger is started via the **Debug|Enable** menu selection. This section contains the following topics:

- Debug Menu
- Configure
- Control
- Watches
- Breaks
- RAM
- ROM
- Data EEPROM
- Stack
- Eval
- Log
- Monitor
- Peripherals
- Snapshot
- Enable/Disable

Debugger - Menu

This menu contains all the debugger options if the ICD is connected to the PC and the prototype board for debugging the C program.

Debugger - Configure

The configure tab allows a selection of what hardware the debugger connects to. Other configuration options vary depending on the hardware debugger in use.

The configure tab also allows manually reloading the target with your code.

If the debugger window is open and the “Reload target after every compile” box is selected every time the program is compiled the program is downloaded into the target.

A debugger profile contains all the selections in all the debugger tabs such as the variables being watched, the debugger window position and size and the breakpoints set. Profiles may be saved into files and loaded from the configure tab. The last profile file saved or loaded is also saved in the projects .PJT file for use the next time the debugger is started for that project.

Special notes for ICD users:

When using an ICD unit the CCS firmware must be installed in the ICD. To install the firmware click on “Configure Hardware” then click on the center top button to load ICD firmware.

Debugger - Control

The reset button puts the target into a reset condition. Note that in the source file windows, Listing window and ROM window the current program counter line is highlighted in yellow. This is the next line to execute.

The Go button starts the program running. While running none of the debugger windows are updated with current information. The program stops when a break condition is reached or the STOP button is clicked.

The STEP button will execute one C line if the source file is the active editor tab and one assembly line if the list file is the active editor tab. STEP OVER works like STEP except if the line is a call to another function then the whole function is executed with one STEP OVER.

THE GO TO button will execute until the line the editor cursor is on is reached.

Debugger- Enable/Disable

This option enables/disables the debugger if it is not already in that state. The menu option automatically changes to the other one. Shows or hides the PCW debugger IDE as required.

Debugger - Watches

Click the + icon when the watch tab is selected to enter a new expression to watch. The helper window that pops up will allow you to find identifiers in your program to watch. Normal C expressions may be watched like:

x
x+y
BUFFER[x]

BUUFER [X] . NAME

Note that where the editor cursor is in the source file at the time you enter the watch will affect how the expression is evaluated. For example consider you have two functions F1 and F2 and you simply enter I as a watch expression. The I that you get will depend on what function the cursor is in. You can proceed any variable with a function name and period to exactly specify the variable (like: F1.I).

Debugger - Breaks

To set a breakpoint move the editor cursor to a source or list file line. Then select the break tab in the debugger and click the + icon.

Note that the breaks work differently for different hardware units. For example on a PIC16 using an ICD, you can only have one breakpoint and the processor executes the line (assembly line) the break is set on before stopping.

Debugger - RAM

The debugger RAM tab shows the target RAM. Red numbers indicate locations that changed since the last time the program stopped. Some locations are blacked out that either do not represent a physical register or are not available during debugging. To change a RAM location double click the value to change. All numbers are in hex.

Debugger - ROM

The ROM tab shows the contents of the target program memory both in hex and disassembled. This data is initially from the HEX file and is not refreshed from the target unless the user requests it. To reload from the target right click in the window.

Debugger - Data EEPROM

The debugger Data EEPROM tab shows the target Data EEPROM. Red numbers indicate locations that changed since the last time the program stopped. To change a Data EEPROM location double click the value to change. All numbers are in hex.

Debugger - Stack

This tab shows the current stack. The last function called and all its parameters are shown at the top of the list.

Note that the PIC16 ICD cannot read the stack. To view the stack, a #DEVICE CCSICD=TRUE line must appear in your source file. The compiler then generates extra code to allow the stack to be seen by the debugger.

Debugger - Eval

This tab allows the evaluation of a C expression. It is similar to the watch capability except that more space is provided for the result (for large structures or arrays).

The evaluation also allows calling a C function in the target. In this case you must provide all the parameters. The result of the function is shown in the result window. This capability is not available on all debugger platforms.

Debugger - Log

The log capability is a combination of the break, watch and snapshot. You specify a break number and an expression to evaluate each time the break is reached. The program is restarted after the expression is evaluated and the result is logged in the log window. Separate multiple expressions with semicolons. The log window may be saved to a file. Each expression result in the file is separated with a tab making it suitable for importing into a spreadsheet program.

Debugger - Monitor

The monitor window shows data from the target and allows entry of data to be sent to the target. This is done on the target like this:

```
#use RS232 (DEBUGGER)
...
printf("Test to run? ");
test=getc();
```

For the PIC16 ICD the B3 pin is used on the target to implement this capability. The normal ICD cable is already set up correctly for this.

Debugger - Peripherals

This tab shows the state of the targets special function registers. This data is organized by function. Select a function from the drop down list and the registers associated with that function are shown. Below the registers is a listing of each field in the registers with an interpretation of what the bit pattern means.

Debugger - Snapshot

Click on the camera icon to bring up the snapshot window. The snapshot function allows the recording of the contents of part or all of the various debugger windows. On the right hand side you may select what items you need to record. The top right is a selection of where to record the data. The options are:

- Printer
- A new file
- Append to an existing file

In addition you can select when to do the snapshot:

- Now
- On every break
- On every single step

Furthermore you can click on the APPEND COMMENT button to add a comment to be inserted into the file.

Pre-Processor

PRE-PROCESSOR

Pre-Processor Command Summary			
Standard C		Device Specification	
#DEFINE ID STRING	p.37	#DEVICE CHIP	p.38
#ELSE	p.43	#ID NUMBER	p.42
#ENDIF	p.43	#ID "filename"	p.42
#ERROR	p.39	#ID CHECKSUM	p.42
#IF expr	p.43	#FUSES options	p.41
#IFDEF id	p.44	#SERIALIZE	p.57
#INCLUDE "FILENAME"	p.45	#TYPE type=type	p.60
#INCLUDE <FILENAME>	p.45	Built-in Libraries	
#LIST	p.50	#USE DELAY CLOCK	p.61
#NOLIST	p.51	#USE FAST_IO	p.61
#PRAGMA cmd	p.55	#USE FIXED_IO	p.62
#UNDEF id	p.60	#USE I2C	p.63
Function Qualifier		#USE RS232	p.64
#INLINE	p.46	#USE STANDARD_IO	p.67
#INT_DEFAULT	p.48	Memory Control	
#INT_GLOBAL	p.49	#ASM	p.30
#INT_xxx	p.46	#BIT id=const.const	p.34
#SEPARATE	p.59	#BIT id=id.const	p.34
Pre-Defined Identifier		#BYTE id=const	p.35
__DATE__	p.37	#BYTE id=id	p.34
__DEVICE__	p.39	#LOCATE id=const	p.50
__FILE__	p.40	#ENDASM	p.30
__LINE__	p.49	#RESERVE	p.56
__PCB__	p.53	#ROM	p.56
__PCM__	p.54	#ZERO_RAM	p.67
__PCH__	p.54	#BUILD	p.34
__TIME__	p.59	#FILL_ROM	p.40
		Compiler Control	
		#CASE	p.36
		#OPT n	p.51
		#PRIORITY	p.55
		#ORG	p.52
		#IGNORE_WARNINGS	p.44

Pre-Processor Directives

Pre-processor directives all begin with a # and are followed by a specific command. Syntax is dependent on the command. Many commands do not allow other syntactical elements on the remainder of the line. A table of commands and a description is listed on the previous page.

Several of the pre-processor directives are extensions to standard C. C provides a pre-processor directive that compilers will accept and ignore or act upon the following data. This implementation will allow any pre-processor directives to begin with #PRAGMA. To be compatible with other compilers, this may be used before non-standard features.

Examples: Both of the following are valid
#INLINE
#PRAGMA INLINE

#ASM #ENDASM

Syntax: #asm
 or
 #asm ASIS
 code
 #endasm

Elements: *code* is a list of assembly language instructions

Purpose: The lines between the #ASM and #ENDASM are treated as assembly code to be inserted. These may be used anywhere an expression is allowed. The syntax is described on the following page. The predefined variable `_RETURN_` may be used to assign a return value to a function from the assembly code. Be aware that any C code after the #ENDASM and before the end of the function may corrupt the value.

If the second form is used with ASIS then the compiler will not do any automatic bank switching for variables that cannot be accessed from the current bank. The assembly code is used as-is. Without this option the

assembly is augmented so variables are always accessed correctly by adding bank switching where needed.

Examples: `int find_parity (int data) {`

```
int count;
#asm
movlw  0x8
movwf  count
movlw  0
loop:
xorwf  data,w
rrf    data,f
decfsz count,f
goto   loop
movwf  _return_
#endasm
}
```

Example Files: `ex_glint.c`

Also See: None

12 Bit and 14 Bit			
ADDWF	f,d	ANDWF	f,d
CLRF	f	CLRWF	
COMF	f,d	DECF	f,d
DECFSZ	f,d	INCF	f,d
INCFSZ	f,d	IORWF	f,d
MOVF	f,d	MOVPHW	
MOVPLW		MOVWF	f
NOP		RLF f,d	f
RRF	f,d	SUBWF	f,d
SWAPF	f,d	XORWF	f,d
BCF	f,b	BSF	f,b
BTFSC	f,b	BTFSS	f,b
ANDLW	k	CALL	k
CLRWDW		GOTO	k
IORLW	k	MOVLW	k
RETLW	k	SLEEP	
XORLW		OPTION	
TRIS	k		
		Only PCM:	
		ADDLW	k
		SUBLW	k
		RETFIE	
		RETURN	

- f may be a constant (file number) or a simple variable
- d may be a constant (0 or 1) or W or F
- f,b may be a file (as above) and a constant (0-7) or it may be just a bit variable reference.
- k may be a constant expression

Note that all expressions and comments are in C like syntax.

PIC 18			
ADDWF	f,d	ADDWFC	f,d
CLRF	f	COMF	f,d
CPFSGT	f	CPFSLT	f
DECFSZ	f,d	DCFSNZ	f,d
INFSNZ	f,d	IORWF	f,d
MOVFF	fs, fd	MOVWF	f
NEGF	f	RLCF	f,d
RRCF	f,d	RRNCF	f,d
SUBFWB	f,d	SUBWF	f,d
SWAPF	f,d	TSTFSZ	f
BCF	f,b	BSF	f,b
BTFSS	f,b	BTG	f,d
BN	n	BNC	n
BNOV	n	BNZ	n
BRA	n	BZ	n
CLRWDT	-	DAW	-
NOP	-	NOP	-
PUSH	-	RCALL	n
RETFIE	s	RETLW	k
SLEEP	-	ADDLW	k
IORLW	k	LFSRf	,k
MOVLW	k	MULLW	k
SUBLW	k	XORLW	k
TBLRD*+		TBLRD	*-
TBLWT*		TBLWT	*+
TBLWT	+		

The compiler will set the access bit depending on the value of the file register.

#BIT

Syntax: **#bit *id* = *x.y***

Elements: ***id*** is a valid C identifier,
 x is a constant or a C variable,
 y is a constant 0-7.

Purpose: A new C variable (one bit) is created and is placed in memory at byte *x* and bit *y*. This is useful to gain access in C directly to a bit in the processors special function register map. It may also be used to easily access a bit of a standard C variable.

Examples:

```
#bit T0IF = 0xb.2
...
T0IF = 0; // Clear Timer 0 interrupt flag

int result;
#bit result_odd = result.0
...
if (result_odd)
```

Example Files: ex_glint.c

Also See: #byte, #reserve, #locate

#BUILD

Syntax: **#build(*segment* = *address*)**
 #build(*segment* = *address*, *segment* = *address*)
 #build(*segment* = *start.end*)
 #build(*segment* = *start.end*, *segment* = *start.end*)

Elements: ***segment*** is one of the following memory segments which may be assigned a location: MEMORY, RESET, or INTERRUPT.

address is a ROM location memory address. ***Start*** and ***end*** are used to specify a range in memory to be used.

Start is the first ROM location and **end** is the last ROM location to be used.

Purpose: PIC18XXX devices with external ROM or PIC18XXX devices with no internal ROM can direct the compiler to utilize the ROM.

Examples:

```
#build(memory=0x20000:0x2FFFF)
        //Assigns memory space
#build(reset=0x200,interrupt=0x208)
        //Assigns start location of
        //reset and interrupt vectors

#build(reset=0x200:0x207,
        interrupt=0x208:0x2ff)
        //Assign limited space for
        //reset and interrupt vectors.
```

Example Files: None

Also See: #locate, #reserve, #rom, #org

#BYTE

Syntax: #byte *id* = *x*

Elements: *id* is a valid C identifier,
x is a C variable or a constant

Purpose: If the *id* is already known as a C variable then this will locate the variable at address *x*. In this case the variable type does not change from the original definition. If the *id* is not known a new C variable is created and placed at address *x* with the type int (8 bit)

Warning: In both cases memory at *x* is not exclusive to this variable. Other variables may be located at the same location. In fact when *x* is a variable, then *id* and *x* share the same memory location.

Examples:

```
#byte status = 3
#byte b_port = 6
```

```
struct {  
    short int r_w;  
    short int c_d;  
    int unused : 2;  
    int data : 4; } a_port;  
#byte a_port = 5  
...  
a_port.c_d = 1;
```

Example Files: ex_glint.c

Also See: #bit, #locate, #reserve

#CASE

Syntax: #case

Elements: None

Purpose: Will cause the compiler to be case sensitive. By default the compiler is case insensitive.

Warning: Not all the CCS example programs, headers and drivers have been tested with case sensitivity turned on.

Examples: #case

```
int STATUS;  
  
void func() {  
    int status;  
    ...  
    STATUS = status; // Copy local status to  
                    //global  
}
```

Example Files: ex_cust.c

Also See: None

__DATE__

Syntax:	<code>__date__</code>
Elements:	None
Purpose:	This pre-processor identifier is replaced at compile time with the date of the compile in the form: "31-MAY-03"
Examples:	<pre>printf("Software was compiled on "); printf(__DATE__);</pre>
Example Files:	None
Also See:	None

#DEFINE

Syntax:	<code>#define <i>id</i> text</code> or <code>#define <i>id</i>(<i>x,y...</i>) text</code>
Elements:	<i>id</i> is a preprocessor identifier, text is any text, <i>x,y</i> and so on are local preprocessor identifiers, and in this form there may be one or more identifiers separated by commas.
Purpose:	Used to provide a simple string replacement of the ID with the given text from this point of the program and on. In the second form (a C macro) the local identifiers are matched up with similar identifiers in the text and they are replaced with text passed to the macro where it is used. If the text contains a string of the form # <i>idx</i> then the result upon evaluation will be the parameter <i>id</i> concatenated with the string <i>x</i> . If the text contains a string of the form <i>idx##idy</i> then

parameter *idx* is concatenated with parameter *idy* forming a new identifier.

Examples: `#define BITS 8`
 `a=a+BITS; //same as a=a+8;`

`#define hi(x) (x<<4)`
 `a=hi(a); //same as a=(a<<4);`

Example Files: `ex_stwt.c, ex_macro.c`

Also See: `#undef, #ifdef, #ifndef`

#DEVICE

Syntax: `#device chip options`

Elements: *chip* is the name of a specific processor (like: PIC16C74), To get a current list of supported devices:

```
START | RUN | CCSC +Q
```

Options are qualifiers to the standard operation of the device. Valid options are:

***=5** Use 5 bit pointers (for all parts)
***=8** Use 8 bit pointers (14 and 16 bit parts)
***=16** Use 16 bit pointers (for 14 bit parts)
ADC=x Where x is the number of bits read_adc() should return
ICD=TRUE Generates code compatible with Microchips ICD debugging hardware.
WRITE_EEPROM=ASYNC Prevents WRITE_EEPROM from hanging while writing is taking place. When used, do not write to EEPROM from both ISR and outside ISR.

Both chip and options are optional, so multiple #device lines may be used to fully define the device. Be warned that a #device with a chip identifier, will clear all previous #device and #fuse settings.

Purpose: Defines the target processor. Every program must have exactly one #device with a chip.

Examples:

```
#device PIC16C74
#device PIC16C67 *=16
#device *=16 ICD=TRUE
#device PIC16F877 *=16 ADC=10
```

Example Files: ex_mxram.c, ex_icd.c, 16c74.h

Also See: read_adc()

__DEVICE__

Syntax: __device __

Elements: None

Purpose: This pre-processor identifier is defined by the compiler with the base number of the current device (from a #device). The base number is usually the number after the C in the part number. For example the PIC16C622 has a base number of 622.

Examples:

```
#if __device__==71
SETUP_ADC_PORTS( ALL_DIGITAL );
#endif
```

Example Files: None

Also See: #device

#ERROR

Syntax: `#error text`

Elements: `text` is optional and may be any text

Purpose: Forces the compiler to generate an error at the location this directive appears in the file. The text may include macros that will be expanded for the display. This may be used to see the macro expansion. The command may also be used to alert the user to an invalid compile time situation.

Examples:

```
#if BUFFER_SIZE>16
#error Buffer size is too large
#endif
#error Macro test: min(x,y)
```

Example Files: `ex_psp.c`

Also See: None

__FILE__

Syntax: `__file__`

Elements: None

Purpose: The pre-processor identifier is replaced at compile time with the filename of the file being compiled.

Examples:

```
if(index>MAX_ENTRIES)
    printf("Too many entries, source file: "
        __FILE__ " at line " __LINE__ "\r\n");
```

Example Files: `assert.h`

Also See: `__line__`

#FILL_ROM

Syntax:	<code>#fill_rom <i>value</i></code>
Elements:	<i>value</i> is a constant 16-bit value
Purpose:	This directive specifies the data to be used to fill unused ROM locations.
Examples:	<code>#fill_rom 0x36</code>
Example Files:	None
Also See:	<code>#rom</code>

#FUSES

Syntax:	<code>#fuse <i>options</i></code>
Elements:	<p><i>options</i> vary depending on the device. A list of all valid options has been put at the top of each devices .h file in a comment for reference. The PCW device edit utility can modify a particular devices fuses. The PCW pull down menu VIEW Valid fuses will show all fuses with their descriptions.</p> <p>Some common options are:</p> <ul style="list-style-type: none">• LP, XT, HS, RC• WDT, NOWDT• PROTECT, NOPROTECT• PUT, NOPUT (Power Up Timer)• BROWNOUT, NOBROWNOUT
Purpose:	This directive defines what fuses should be set in the part when it is programmed. This directive does not affect the compilation; however, the information is put in the output files. If the fuses need to be in Parallax format, add a PAR option. SWAP has the special function of swapping (from the Microchip standard) the high and low BYTES of non-program data in the Hex file. This is required for some device programmers.

Examples: #fuses HS, NOWDT

Example Files: ex_sqw.c

Also See: None

#ID

Syntax: #ID *number 16*
 #ID *number, number, number, number*
 #ID "*filename*"
 #ID *CHECKSUM*

Elements: *Number16* is a 16 bit number, *number* is a 4 bit number, filename is any valid PC filename and *checksum* is a keyword.

Purpose: This directive defines the ID word to be programmed into the part. This directive does not affect the compilation but the information is put in the output file.

The first syntax will take a 16-bit number and put one nibble in each of the four ID words in the traditional manner. The second syntax specifies the exact value to be used in each of the four ID words.

When a filename is specified the ID is read from the file. The format must be simple text with a CR/LF at the end. The keyword CHECKSUM indicates the device checksum should be saved as the ID.

Examples: #id 0x1234
 #id "serial.num"
 #id CHECKSUM

Example Files: ex_cust.c

Also See: None

#IF expr
#ELSE
#ELIF
#ENDIF

Syntax: **#if *expr***
 code
 #elif *expr* //Optional, any number may be used
 code
 #else //Optional
 code
 #endif

Elements: ***expr*** is an expression with constants, standard operators and/or preprocessor identifiers. ***Code*** is any standard c source code.

Purpose: The pre-processor evaluates the constant expression and if it is non-zero will process the lines up to the optional #ELSE or the #ENDIF.

Note: you may NOT use C variables in the #IF. Only preprocessor identifiers created via #define can be used.

The preprocessor expression DEFINED(id) may be used to return 1 if the id is defined and 0 if it is not.

Examples: **#if MAX_VALUE > 255**
 long value;
 #else
 int value;
 #endif

Example Files: **ex_extee.c**

Also See: **#ifdef, #ifndef**

#IGNORE_WARNINGS

Syntax:	<code>#ignore_warnings ALL</code> <code>#ignore_warnings none</code> <code>#ignore_warnings <i>warnings</i></code>
Elements:	<i>warnings</i> is one or more warning numbers separated by commas
Purpose:	This function will suppress warning messages from the compiler. ALL indicates no warning will be generated. NONE indicates all warnings will be generated. If numbers are listed then those warnings are suppressed.
Examples:	<code>#ignore_warnings 203</code> <code>while(TRUE) {</code> <code>#ignore_warnings NONE</code>
Example Files:	None
Also See:	Warning messages

#IFDEF #IFNDEF #ELSE #ELIF #ENDIF

Syntax:	<code>#ifdef <i>id</i></code> <code> <i>code</i></code> <code>#elif</code> <code> <i>code</i></code> <code>#else</code> <code> <i>code</i></code> <code>#endif</code> <code>#ifndef <i>id</i></code> <code> <i>code</i></code> <code>#elif</code> <code> <i>code</i></code>
---------	--


```
#else
  code
#endif
```

- Elements: *id* is a preprocessor identifier, *code* is valid C source code.
- Purpose: This directive acts much like the #IF except that the preprocessor simply checks to see if the specified ID is known to the preprocessor (created with a #DEFINE). #IFDEF checks to see if defined and #IFNDEF checks to see if it is not defined.
- Examples:

```
#define debug    // Comment line out for no debug

...
#ifdef DEBUG
printf("debug point a");
#endif
```
- Example Files: ex_sqw.c
- Also See: #if

#INCLUDE

- Syntax:

```
#include <filename>
or
#include "filename"
```
- Elements: *filename* is a valid PC filename. It may include normal drive and path information.
- Purpose: Text from the specified file is used at this point of the compilation. If a full path is not specified the compiler will use the list of directories specified for the project to search for the file. If the filename is in "" then the directory with the main source file is searched first. If the filename is in <> then the directory with the main source file is searched last.

Examples: `#include <16C54.H>`
 `#include<C:\INCLUDES\COMLIB\MYRS232.C>`

Example Files: `ex_sqw.c`

Also See: None

#INLINE

Syntax: `#inline`

Elements: None

Purpose: Tells the compiler that the function immediately following the directive is to be implemented `INLINE`. This will cause a duplicate copy of the code to be placed everywhere the function is called. This is useful to save stack space and to increase speed. Without this directive the compiler will decide when it is best to make procedures `INLINE`.

Examples: `#inline`
 `swapbyte(int &a, int &b) {`
 `int t;`
 `t=a;`
 `a=b;`
 `b=t;`
 `}`

Example Files: `ex_cust.c`

Also See: `#separate`

#INT_xxxx

Syntax: `#INT_AD` Analog to digital conversion complete
 `#INT_ADOF` Analog to digital conversion timeout
 `#INT_BUSCOL` Bus collision
 `#INT_BUTTON` Pushbutton

#INT_CCP1	Capture or Compare on unit 1
#INT_CCP2	Capture or Compare on unit 2
#INT_COMP	Comparator detect
#INT_EEPROM	write complete
#INT_EXT	External interrupt
#INT_EXT1	External interrupt #1
#INT_EXT2	External interrupt #2
#INT_I2C	I2C interrupt (only on 14000)
#INT_LCD	LCD activity
#INT_LOWVOLT	Low voltage detected
#INT_PSP	Parallel Slave Port data in
#INT_RB	Port B any change on B4-B7
#INT_RC	Port C any change on C4-C7
#INT_RDA	RS232 receive data available
#INT_RTCC	Timer 0 (RTCC) overflow
#INT_SSP	SPI or I2C activity
#INT_TBE	RS232 transmit buffer empty
#INT_TIMER0	Timer 0 (RTCC) overflow
#INT_TIMER1	Timer 1 overflow
#INT_TIMER2	Timer 2 overflow
#INT_TIMER3	Timer 3 overflow

Note many more #INT_ options are available on specific chips. Check the devices .h file for a full list for a given chip.

Elements: None

Purpose: These directives specify the following function is an interrupt function. Interrupt functions may not have any parameters. Not all directives may be used with all parts. See the devices .h file for all valid interrupts for the part or in PCW use the pull down VIEW | Valid Ints

The compiler will generate code to jump to the function when the interrupt is detected. It will generate code to save and restore the machine state, and will clear the interrupt flag. To prevent the flag from being cleared add NOCLEAR after the #INT_xxxx. The application program must call ENABLE_INTERRUPTS(INT_xxxx) to initially activate the interrupt along with the ENABLE_INTERRUPTS(GLOBAL) to enable interrupts.

The keyword FAST may be used with the PCH compiler

to mark an interrupt high priority. A fast interrupt can interrupt another interrupt handler. The compiler does no save/restore in a fast ISR. You should do as little as possible and save any registers that need to be saved on your own.

Examples:

```
#int_ad
adc_handler() {
    adc_active=FALSE;
}

#int_rtcc noclear
isr() {
    ...
}
```

Example Files: See ex_sisr.c and ex_stwt.c for full example programs.

Also See: enable_interrupts(), disable_interrupts(), #int_default, #int_global

#INT_DEFAULT

Syntax: #int_default

Elements: None

Purpose: The following function will be called if the PIC® triggers an interrupt and none of the interrupt flags are set. If an interrupt is flagged, but is not the one triggered, the #INT_DEFAULT function will get called.

Examples:

```
#int_default
default_isr() {
    printf("Unexplained interrupt\r\n");
}
```

Example Files: None

Also See: #INT_xxxx, #INT_global

#INT_GLOBAL

Syntax:	#int_global
Elements:	None
Purpose:	This directive causes the following function to replace the compiler interrupt dispatcher. The function is normally not required and should be used with great caution. When used, the compiler does not generate start-up code or clean-up code, and does not save the registers.
Examples:	<pre>#int_global ISR() { // Will be located at location 4 #asm bsf isr_flag retfie #endasm }</pre>
Example Files:	ex_glint.c
Also See:	#int_xxxx

__LINE__

Syntax:	__line__
Elements:	None
Purpose:	The pre-processor identifier is replaced at compile time with line number of the file being compiled.
Examples:	<pre>if(index>MAX_ENTRIES) printf("Too many entries, source file: " __FILE__ " at line " __LINE__ "\r\n");</pre>
Example Files:	assert.h
Also See:	__file__

#LIST

Syntax: `#list`

Elements: None

Purpose: #List begins inserting or resumes inserting source lines into the .LST file after a #NOLIST.

Examples:

```
#NOLIST // Don't clutter up the list file
#include <cdriver.h>
#LIST
```

Example Files: 16c74.h

Also See: #nolist

#LOCATE

Syntax: `#locate id=x`

Elements: *id* is a C variable,
x is a constant memory address

Purpose: #LOCATE works like #BYTE however in addition it prevents C from using the area.

Examples:

```
//This will locate the float variable at 50-53
// and C will not use this memory for other
// variables automatically located.
float x;
#locate x=0x50
```

Example Files: ex_glint.c

Also See: #byte, #bit, #reserve

#NOLIST

Syntax:	#nolist
Elements:	None
Purpose:	Stops inserting source lines into the .LST file (until a #LIST)
Examples:	<pre>#NOLIST // Don't clutter up the list file #include <cdriver.h> #LIST</pre>
Example Files:	16c74.h
Also See:	#LIST

#OPT

Syntax:	#OPT <i>n</i>
Elements:	All devices: <i>n</i> is the optimization level 0-9 PIC18XXX: <i>n</i> is the optimization level 0-11
Purpose:	The optimization level is set with this directive. This setting applies to the entire program and may appear anywhere in the file. Optimization level 5 will set the level to be the same as the PCB, PCM, and PCH standalone compilers. The PCW default is 9 for full optimization. PIC18XXX devices may utilize levels 10 and 11 for extended optimization. Level 9 may be used to set a PCW compile to look exactly like a PCM compile for example. It may also be used if an optimization error is suspected to reduce optimization.
Examples:	#opt 5
Example Files:	None
Also See:	None

#ORG

Syntax: #org *start, end*
 or
 #org *segment*
 or
 #org *start, end {}*
 or
 #org *start, end auto=0*
 #org *start,end DEFAULT*
 or
 #org *DEFAULT*

Elements: *start* is the first ROM location (word address) to use,
 end is the last ROM location, *segment* is the start ROM
 location from a previous #org

Purpose: This directive will fix the following function or constant
 declaration into a specific ROM area. End may be
 omitted if a segment was previously defined if you only
 want to add another function to the segment.

Follow the ORG with a *{}* to only reserve the area with
nothing inserted by the compiler.

The RAM for a ORG'ed function may be reset to low
memory so the local variables and scratch variables are
placed in low memory. This should only be used if the
ORG'ed function will not return to the caller. The RAM
used will overlap the RAM of the main program. Add a
AUTO=0 at the end of the #ORG line.

If the keyword DEFAULT is used then this address range
is used for all functions user and compiler generated
from this point in the file until a #ORG DEFAULT is
encountered (no address range). If a compiler function is
called from the generated code while DEFAULT is in
effect the compiler generates a new version of the
function within the specified address range.

Examples:

```

#ORG 0x1E00, 0x1FFF
MyFunc() {
//This function located at 1E00
}

#ORG 0x1E00
Anotherfunc(){
// This will be somewhere 1E00-1F00
}

#ORG 0x800, 0x820 {}
//Nothing will be at 800-820

#ORG 0x1C00, 0x1C0F
CHAR CONST ID[10]= {"123456789"};
//This ID will be at 1C00
//Note some extra code will
//proceed the 123456789

#ORG 0x1F00, 0x1FFF
Void loader(){
.
.
.
}

```

Example Files: loader.c

Also See: #ROM

__PCB__

Syntax: __pcb__

Elements: None

Purpose: The PCB compiler defines this pre-processor identifier. It may be used to determine if the PCB compiler is doing the compilation.

Examples:

```

#ifdef __pcb__
#device PIC16c54
#endif

```

Example Files: ex_sqw.c

Also See: `__pcm__`, `__pch__`

`__PCM__`

Syntax: `__pcm__`

Elements: None

Purpose: The PCM compiler defines this pre-processor identifier. It may be used to determine if the PCM compiler is doing the compilation.

Examples:

```
#ifdef __pcm__
#device PIC16c71
#endif
```

Example Files: `ex_sqw.c`

Also See: `__pcb__`, `__pch__`

`__PCH__`

Syntax: `__pch__`

Elements: None

Purpose: The PCH compiler defines this pre-processor identifier. It may be used to determine if the PCH compiler is doing the compilation.

Examples:

```
#ifdef __PCH__
#device PIC18C452
#endif
```

Example Files: `ex_sqw.c`

Also See: `__pcb__`, `__pcm__`

#PRAGMA

Syntax:	<code>#pragma <i>cmd</i></code>
Elements:	<i>cmd</i> is any valid preprocessor directive.
Purpose:	This directive is used to maintain compatibility between C compilers. This compiler will accept this directive before any other pre-processor command. In no case does this compiler require this directive.
Examples:	<code>#pragma device PIC16C54</code>
Example Files:	ex_cust.c
Also See:	None

#PRIORITY

Syntax:	<code>#priority <i>ints</i></code>
Elements:	<i>ints</i> is a list of one or more interrupts separated by commas.
Purpose:	The priority directive may be used to set the interrupt priority. The highest priority items are first in the list. If an interrupt is active it is never interrupted. If two interrupts occur at around the same time then the higher one in this list will be serviced first.
Examples:	<code>#priority rtcc,rb</code>
Example Files:	None
Also See:	<code>#int_xxxx</code>

#RESERVE

Syntax:	<code>#reserve <i>address</i></code> or <code>#reserve <i>address, address, address</i></code> or <code>#reserve <i>start.end</i></code>
Elements:	<i>address</i> is a RAM address, <i>start</i> is the first address and <i>end</i> is the last address
Purpose:	This directive allows RAM locations to be reserved from use by the compiler. #RESERVE must appear after the #DEVICE otherwise it will have no effect.
Examples:	<code>#DEVICE PIC16C74</code> <code>#RESERVE 0x60:0x6f</code>
Example Files:	ex_cust.c
Also See:	#org

#ROM

Syntax:	<code>#rom <i>address</i> = {<i>list</i>};</code>
Elements:	<i>address</i> is a ROM word address, <i>list</i> is a list of words separated by commas
Purpose:	Allows the insertion of data into the .HEX file. In particular, this may be used to program the '84 data EEPROM, as shown in the following example. Note that if the #ROM address is inside the program memory space, the directive creates a segment for the data, resulting in an error if a #ORG is over the same area. The #ROM data will also be counted as used program memory space.
Examples:	<code>#rom 0x2100={1,2,3,4,5,6,7,8}</code>

Example Files: None

Also See: #org

#SERIALIZE

Syntax: `#serialize(id=xxx, next="x" | file=" filename.txt " |
listfile=" filename.txt," prompt="text",
log="filename.txt")`
 -Or-
`#serialize(dataee=x, binary=x, next="x" |
file="filename.txt" | listfile=" filename.txt ", prompt="
text ", log=" filename.txt ")`

Elements: ***id=xxx*** Specify a C CONST identifier, may be int8,int16,int32 or char array

Use in place of id parameter, when storing serial number to EEPROM:

dataee=x The address x is the start address in the data EEPROM.

binary=x The integer x is the number of bytes to be written to address specified.

-or-

string=x The integer x is the number of bytes to be written to address specified.

Use only one of the next three options:

file="filename.txt" The file x is used to read the initial serial number from, and this file is updated by the ICD programmer. It is assumed this is a one line file with the serial number. The programmer will increment the serial number.

listfile="filename.txt" The file x is used to read the initial serial number from, and this file is updated by the ICD programmer. It is assumed this is a file one serial number per line. The programmer will read the first line

then delete that line from the file. `next="x"` The serial number X is used for the first load, then the hex file is updated to increment x by one.

prompt="text" If specified the user will be prompted for a serial number on each load. If used with one of the above three options then the default value the user may use is picked according to the above rules.

log=xxx A file may optionally be specified to keep a log of the date, time, hex file name and serial number each time the part is programmed. If no `id=xxx` is specified then this may be used as a simple log of all loads of the hex file.

Purpose: Assists in making serial numbers easier to implement when working with CCS ICD units. Comments are inserted into the hex file that the ICD software interprets.

Examples:

```
//Prompt user for serial number to be placed
//at address of serialNumA
//Default serial number = 200
int8 const serialNumA=100;
#serialize(id=serialNumA,next="200",prompt="Enter
the serial number")

//Adds serial number log in seriallog.txt
#serialize(id=serialNumA,next="200",prompt="Enter
the serial number", log="seriallog.txt")

//Retrieves serial number from serials.txt
#serialize(id=serialNumA,listfile="serials.txt")

//Place serial number at EEPROM address 0,
reserving 1 byte
#serialize(dataee=0,binary=1,next="45",prompt="Put
in Serial number")

//Place string serial number at EEPROM address 0,
reserving 2 bytes
#serialize(dataee=0,
string=2,next="AB",prompt="Put in Serial number")
```

Example Files: None

Also See: None

#SEPARATE

Syntax:	<code>#separate</code>
Elements:	None
Purpose:	Tells the compiler that the procedure IMMEDIATELY following the directive is to be implemented SEPARATELY. This is useful to prevent the compiler from automatically making a procedure INLINE. This will save ROM space but it does use more stack space. The compiler will make all procedures marked SEPARATE, separate, as requested, even if there is not enough stack space to execute.
Examples:	<pre>#separate swapbyte (int *a, int *b) { int t; t=*a; *a=*b; *b=t; }</pre>
Example Files:	<code>ex_cust.c</code>
Also See:	<code>#inline</code>

__TIME__

Syntax:	<code>__time__</code>
Elements:	None
Purpose:	This pre-processor identifier is replaced at compile time with the time of the compile in the form: "hh:mm:ss"
Examples:	<pre>printf("Software was compiled on "); printf(__TIME__);</pre>

Example Files: None

Also See: None

#TYPE

Syntax: `#type standard-type=size`

Elements: *standard-type* is one of the C keywords short,int or long. *size* is 1,8,16 or 32

Purpose: By default the compiler treats SHORT as one bit, INT as 8 bits and LONG as 16 bits. The traditional C convention is to have INT defined as the most efficient size for the target processor. This is why it is 8 bits on the PIC®. In order to help with code compatibility a #TYPE directive may be used to allow these types to be changed. #TYPE can redefine these keywords.

Note that the commas are optional. Since #TYPE may render some sizes inaccessible (like a one bit int in the above) four keywords representing the four ints may always be used: INT1, INT8, INT16 and INT32. Be warned CCS example programs and include files may not work right if you use #TYPE in your program.

Examples: `#TYPE SHORT=8, INT=16, LONG=32`

Example Files: `ex_cust.c`

Also See: None

#UNDEF

Syntax: `#undef id`

Elements: *id* is a pre-processor id defined via #define

Purpose: The specified pre-processor ID will no longer have meaning to the pre-processor.

Examples:

```
#if MAXSIZE<100
#undef MAXSIZE
#define MAXSIZE 100
#endif
```

Example Files: None

Also See: #define

#USE DELAY

Syntax:

```
#use delay (clock=speed)
or
#use delay(clock=speed, restart_wdt)
```

Elements: ***speed*** is a constant 1-100000000 (1 hz to 100 mhz)

Purpose: Tells the compiler the speed of the processor and enables the use of the built-in functions: `delay_ms()` and `delay_us()`. Speed is in cycles per second. An optional `restart_WDT` may be used to cause the compiler to restart the WDT while delaying.

Examples:

```
#use delay (clock=20000000)
#use delay (clock=32000, RESTART_WDT)
```

Example Files: `ex_sqw.c`

Also See: `delay_ms()`, `delay_us()`

#USE FAST_IO

Syntax:

```
#use fast_io (port)
```

Elements: ***port*** is A-G

Purpose: Affects how the compiler will generate code for input and output instructions that follow. This directive takes effect until another `#use xxxx_IO` directive is encountered. The fast method of doing I/O will cause the compiler to perform I/O without programming of the direction register. The user must ensure the direction register is set correctly via `set_tris_X()`.

Examples: `#use fast_io(A)`

Example Files: `ex_cust.c`

Also See: `#use fixed_io`, `#use standard_io`, `set_tris_X()`

#USE FIXED_IO

Syntax: `#use fixed_io (port_outputs=pin, pin?)`

Elements: *port* is A-G, *pin* is one of the pin constants defined in the devices .h file.

Purpose: This directive affects how the compiler will generate code for input and output instructions that follow. This directive takes effect until another `#use xxx_IO` directive is encountered. The fixed method of doing I/O will cause the compiler to generate code to make an I/O pin either input or output every time it is used. The pins are programmed according to the information in this directive (not the operations actually performed). This saves a byte of RAM used in standard I/O.

Examples: `#use fixed_io(a_outputs=PIN_A2, PIN_A3)`

Example Files: None

Also See: `#use fast_io`, `#use standard_io`

#USE I2C

Syntax:	<code>#use i2c (<i>options</i>)</code>																						
Elements:	<p>Options are separated by commas and may be:</p> <table> <tr> <td>MASTER</td> <td>Set the master mode</td> </tr> <tr> <td>SLAVE</td> <td>Set the slave mode</td> </tr> <tr> <td>SCL=pin</td> <td>Specifies the SCL pin (pin is a bit address)</td> </tr> <tr> <td>SDA=pin</td> <td>Specifies the SDA pin</td> </tr> <tr> <td>ADDRESS=nn</td> <td>Specifies the slave mode address</td> </tr> <tr> <td>FAST</td> <td>Use the fast I2C specification</td> </tr> <tr> <td>SLOW</td> <td>Use the slow I2C specification</td> </tr> <tr> <td>RESTART_WDT</td> <td>Restart the WDT while waiting in I2C_READ</td> </tr> <tr> <td>FORCE_HW</td> <td>Use hardware I2C functions.</td> </tr> <tr> <td>NOFLOAT_HIGH</td> <td>Does not allow signals to float high, signals are driven from low to high</td> </tr> <tr> <td>SMBUS</td> <td>Bus used is not I2C bus, but very similar</td> </tr> </table>	MASTER	Set the master mode	SLAVE	Set the slave mode	SCL=pin	Specifies the SCL pin (pin is a bit address)	SDA=pin	Specifies the SDA pin	ADDRESS=nn	Specifies the slave mode address	FAST	Use the fast I2C specification	SLOW	Use the slow I2C specification	RESTART_WDT	Restart the WDT while waiting in I2C_READ	FORCE_HW	Use hardware I2C functions.	NOFLOAT_HIGH	Does not allow signals to float high, signals are driven from low to high	SMBUS	Bus used is not I2C bus, but very similar
MASTER	Set the master mode																						
SLAVE	Set the slave mode																						
SCL=pin	Specifies the SCL pin (pin is a bit address)																						
SDA=pin	Specifies the SDA pin																						
ADDRESS=nn	Specifies the slave mode address																						
FAST	Use the fast I2C specification																						
SLOW	Use the slow I2C specification																						
RESTART_WDT	Restart the WDT while waiting in I2C_READ																						
FORCE_HW	Use hardware I2C functions.																						
NOFLOAT_HIGH	Does not allow signals to float high, signals are driven from low to high																						
SMBUS	Bus used is not I2C bus, but very similar																						
Purpose:	<p>The I2C library contains functions to implement an I2C bus. The #USE I2C remains in effect for the I2C_START, I2C_STOP, I2C_READ, I2C_WRITE and I2C_POLL functions until another USE I2C is encountered. Software functions are generated unless the FORCE_HW is specified. The SLAVE mode should only be used with the built-in SSP.</p>																						
Examples:	<pre>#use I2C(master, sda=PIN_B0, scl=PIN_B1) #use I2C(slave, sda=PIN_C4, scl=PIN_C3 address=0xa0, FORCE_HW)</pre>																						
Example Files:	ex_extee.c with 2464.c																						
Also See:	i2c_read(), i2c_write()																						

#USE RS232

Syntax: `#use rs232 (options)`

Elements: **Options** are separated by commas and may be:

STREAM=id	Associates a stream identifier with this RS232 port. The identifier may then be used in functions like fputc.
BAUD=x	Set baud rate to x
XMIT=pin	Set transmit pin
RCV=pin	Set receive pin
FORCE_SW	Will generate software serial I/O routines even when the UART pins are specified.
BRGH1OK	Allow bad baud rates on chips that have baud rate problems.
DEBUGGER	Indicates this stream is used to send/receive data through a CCS ICD unit. The default pin used in B3, use XMIT= and RCV= to change the pin used. Both should be the same pin.
RESTART_WDT	Will cause GETC() to clear the WDT as it waits for a character.
INVERT	Invert the polarity of the serial pins (normally not needed when level converter, such as the MAX232). May not be used with the internal UART.
PARITY=X	Where x is N, E, or O.
BITS =X	Where x is 5-9 (5-7 may not be used with the UART).
FLOAT_HIGH	The line is not driven high. This is used for open collector outputs. Bit 6 in RS232_ERRORS is set if the pin is not high at the end of the bit time.
ERRORS	Used to cause the compiler to

	keep receive errors in the variable RS232_ERRORS and to reset errors when they occur.
SAMPLE_EARLY	A getc() normally samples data in the middle of a bit time. This option causes the sample to be at the start of a bit time. May not be used with the UART.
RETURN=pin	For FLOAT_HIGH and MULTI_MASTER this is the pin used to read the signal back. The default for FLOAT_HIGH is the XMIT pin and for MULTI_MASTER the RCV pin.
MULTI_MASTER	Uses the RETURN pin to determine if another master on the bus is transmitting at the same time. If a collision is detected bit 6 is set in RS232_ERRORS and all future PUTC's are ignored until bit 6 is cleared. The signal is checked at the start and end of a bit time. May not be used with the UART.
LONG_DATA	Makes getc() return an int16 and putc accept an int16. This is for 9 bit data formats.
DISABLE_INTS	Will cause interrupts to be disabled when the routines get or put a character. This prevents character distortion for software implemented I/O and prevents interaction between I/O in interrupt handlers and the main program when using the UART.

Purpose: This directive tells the compiler the baud rate and pins

used for serial I/O. This directive takes effect until another RS232 directive is encountered. The #USE DELAY directive must appear before this directive can be used. This directive enables use of built-in functions such as GETC, PUTC, and PRINTF.

When using parts with built-in SCI and the SCI pins are specified, the SCI will be used. If a baud rate cannot be achieved within 3% of the desired value using the current clock rate, an error will be generated.

The definition of the RS232_ERRORS is as follows:

No UART:

- Bit 7 is 9th bit for 9 bit data mode (get and put).
- Bit 6 set to one indicates a put failed in float high mode.

With a UART:

- Used only by get:
- Copy of RCSTA register except:
- Bit 0 is used to indicate a parity error.

Examples: `#use rs232 (baud=9600, xmit=PIN_A2,rcv=PIN_A3)`

Example Files: `ex_sqw.c`

Also See: `getc(), putc(), printf()`

#USE STANDARD_IO

Syntax:	<code>#USE STANDARD_IO (<i>port</i>)</code>
Elements:	<i>port</i> may be A-G
Purpose:	This directive affects how the compiler will generate code for input and output instructions that follow. This directive takes effect until another <code>#use xxx_io</code> directive is encountered. The standard method of doing I/O will cause the compiler to generate code to make an I/O pin either input or output every time it is used. On the 5X processors this requires one byte of RAM for every port set to standard I/O. Standard_io is the default I/O method for all ports.
Examples:	<code>#use standard_io(A)</code>
Example Files:	<code>ex_cust.c</code>
Also See:	<code>#use fast_io</code> , <code>#use fixed_io</code>

#ZERO_RAM

Syntax:	<code>#zero_ram</code>
Elements:	None
Purpose:	This directive zero's out all of the internal registers that may be used to hold variables before program execution begins.
Examples:	<pre>#zero_ram void main() { } </pre>
Example Files:	<code>ex_cust.c</code>

C Compiler Reference Manual
Pre-Processor

Also See: None

Type-Specifier	
int1	Defines a 1 bit number
int8	Defines an 8 bit number
int16	Defines a 16 bit number
int32	Defines a 32 bit number
char	Defines a 8 bit character
float	Defines a 32 bit floating point number
short	By default the same as int1
Int	By default the same as int8
long	By default the same as int16
void	Indicates no specific type

The id after ENUM is created as a type large enough to the largest constant in the list. The ids in the list are each created as a constant. By default the first id is set to zero and they increment by one. If a =cexpr follows an id that id will have the value of the constant expression and the following list will increment by one.

The :cexpr after an id specifies in a struct or union the number of bits to use for the id. This number may be 1-8. Multiple [] may be used for multiple dimension arrays. Structures and unions may be nested. The id after STRUCT may be used in another STRUCT and the {} is not used to reuse the same structure form again.

Examples:

```
int a,b,c,d;
typedef int byte;
typedef short bit;

bit e,f;
byte g[3][2];
char *h;
enum boolean {false, true};
boolean j;
byte k = 5;
byte const WEEKS = 52;
byte const FACTORS [4] =
    {8, 16, 64, 128};

struct data_record {
    byte a [2];
    byte b : 2; /*2 bits */
    byte c : 3; /*3 bits*/
    int d;
}
```

Function Definition

Function Definition

The format of a function definition is as follows:

qualifier	id	([type-specifier id])	{ [stmt] }
↑		↑	↑
Optional See Below		Zero or more comma separated. See Data Types	Zero or more Semi-colon separated. See Statements.

The qualifiers for a function are as follows:

- VOID
- type-specifier
- #separate
- #inline
- #int_..

When one of the above are used and the function has a prototype (forward declaration of the function before it is defined) you must include the qualifier on both the prototype and function definition.

A (non-standard) feature has been added to the compiler to help get around the problems created by the fact that pointers cannot be created to constant strings. A function that has one CHAR parameter will accept a constant string where it is called. The compiler will generate a loop that will call the function once for each character in the string.

Example:

```
void lcd_putc(char c ) {  
  ...  
}  
  
lcd_putc ("Hi There.");
```

Reference Parameters

The compiler has limited support for reference parameters. This increases the readability of code and the efficiency of some inline procedures. The following two procedures are the same. The one with reference parameters will be implemented with greater efficiency when it is inline.

```
func_t_a(int*x,int*y){  
    /*Traditional*/  
    if(*x!=5)  
        *y=*x+3;  
}
```

```
func_t_a(&a, &b);
```

```
func_t_b(int&x,int&y){  
    /*Reference params*/  
    if(x!=5)  
        y=x+3;  
}
```

```
func_t_b(a,b);
```

C Statements And Expressions

Program Syntax

A program is made up of the following four elements in a file. These are covered in more detail in the following paragraphs.

- Comment
- Pre-Processor Directive
- Data Definition
- Function Definition

Comment

A comment may appear anywhere within a file except within a quoted string. Characters between the `/*` and `*/` are ignored. Characters after a `//` up to the end of a line are also ignored.

STATEMENTS

STATEMENT	EXAMPLE
if (expr) stmt; [else stmt;]	if (x==25) x=1; else x=x+1;
while (expr) stmt;	while (get_rtcc() !=0) putc('n');
do stmt while (expr);	do { putc(c=getc()); } while (c!=0);
for (expr1 ; expr2 ; expr3) stmt;	for (i=1; i<=10; ++i) printf("%u\r\n", i);
switch (expr) { case cexpr : stmt; //one or more case default : stmt] ... }	switch (cmd) { case 0: printf("cmd 0"); break; case 1: printf("cmd 1"); break; default: printf("bad cmd"); break; }
return [expr];	return (5);
goto label;	goto loop;
label: stmt;	loop: I++;
break ;	break;
continue ;	continue;
expr ;	i=1;
;	;
{[stmt]} ↑ Zero or more	{a=1; b=1;}

Note: Items in [] are optional

Expressions

Constants:	
123	Decimal
0123	Octal
0x123	Hex
0b010010	Binary
'x'	Character
'\010'	Octal Character
'\xA5'	Hex Character
'\c'	Special Character. Where c is one of: \n Line Feed- Same as \x0a \r Return Feed - Same as \x0d \t TAB- Same as \x09 \b Backspace- Same as \x08 \f Form Feed- Same as \x0c \a Bell- Same as \x07 \v Vertical Space- Same as \x0b \? Question Mark- Same as \x3f \' Single Quote- Same as \x60 \" Double Quote- Same as \x22 \\ A Single Backslash- Same as \x5c
"abcdef"	String (null is added to the end)

Identifiers:	
ABCDE	Up to 32 characters beginning with a non-numeric. Valid characters are A-Z, 0-9 and _ (underscore).
ID[X]	Single Subscript
ID[X][X]	Multiple Subscripts
ID.ID	Structure or union reference
ID->ID	Structure or union reference

Operators

+	Addition Operator
+=	Addition assignment operator, $x+=y$, is the same as $x=x+y$
&=	Bitwise and assignment operator, $x\&=y$, is the same as $x=x\&y$
&	Address operator
&	Bitwise and operator
^=	Bitwise exclusive or assignment operator, $x\^=y$, is the same as $x=x\^y$
^	Bitwise exclusive or operator
=	Bitwise inclusive or assignment operator, $x =y$, is the same as $x=x y$
	Bitwise inclusive or operator
?:	Conditional Expression operator
--	Decrement
/=	Division assignment operator, $x/=y$, is the same as $x=x/y$
/	Division operator
==	Equality
>	Greater than operator
>=	Greater than or equal to operator
++	Increment
*	Indirection operator
!=	Inequality
<<=	Left shift assignment operator, $x<<=y$, is the same as $x=x<<y$
<	Less than operator
<<	Left Shift operator
<=	Less than or equal to operator
&&	Logical AND operator
!	Logical negation operator
	Logical OR operator
%=	Modules assignment operator $x\%=y$, is the same as $x=x\%y$
%	Modules operator
=	Multiplication assignment operator, $x=y$, is the same as $x=x*y$
*	Multiplication operator
~	One's complement operator
>>=	Right shift assignment, $x>>=y$, is the same as $x=x>>y$
>>	Right shift operator
->	Structure Pointer operation
-=	Subtraction assignment operator
-	Subtraction operator
sizeof	Determines size in bytes of operand

Operator Precedence

In descending precedence					
(expr)					
!expr	~expr	++expr	expr++	--expr	expr--
(type)expr	*expr	&value	sizeof(type)		
expr*expr	expr/expr	expr%expr			
expr+expr	expr-expr				
expr<<expr	expr>>expr				
expr<expr	expr<=expr	expr>expr	expr>=expr		
expr==expr	expr!=expr				
expr&expr					
expr^expr					
expr expr					
expr&& expr					
expr expr					
!value ? expr: expr					
value = expr	value+=expr	value-=expr			
value*=expr	value/=expr	value%=expr			
value>>=expr	value<<=expr	value&=expr			
value^=expr	value =expr	expr, expr			

Trigraph Sequences

The compiler accepts three character sequences instead of some special characters not available on all keyboards as follows:

Sequence	Same as
??=	#
??([
??/	\
??)]
??'	^
??<	{
??!	
??>	}
??-	~

Built-In Functions

Built-In Function List By Category			
RS232 I/O		Parallel Slave I/O	
getc()	p.101	setup_psp()	p.166
putc()	p.138	psp_input_full()	p.137
fgetc()	p.138	psp_output_full()	p.137
gets()	p.105	psp_overflow()	p.137
puts()	p.139	I2C I/O	
fgets()	p.139	i2c_start()	p.108
fputc()	p.138	i2c_stop()	p.108
fputs()	p.139	i2C_read	p.107
printf()	p.135	i2c_write()	p.109
kbhit()	p.114	i2c_poll()	p.106
fprintf()	p.135	Processor Controls	
set_uart_speed()	p.155	sleep()	p.179
perror()	p.131	reset_cpu()	p.146
assert()	p.82	restart_cause()	p.147
getchar()	p.101	disable_interrupts()	p.92
putchar()	p.138	enable_interrupts()	p.94
setup_uart()	p.172	ext_int_edge()	p.96
SPI two wire I/O		read_bank()	p.141
setup_spi()	p.167	write_bank()	p.193
spi_read()	p.180	label_address()	p.115
spi_write()	p.181	goto_address()	p.105
spi_data_is_in()	p.180	getenv()	p.102
Discrete I/O		clear_interrupts()	p.89
output_low()	p.130	setup_oscillator()	p.162
output_high()	p.129	Bit/Byte Manipulation	
output_float()	p.128	shift_right()	p.176
output_bit()	p.127	shift_left()	p.175
input()	p.110	rotate_right()	p.149
output_X()	p.127	rotate_left()	p.148
output_toggle()	p.130	bit_clear()	p.85
input_state()	p.111	bit_set()	p.86
input_X()	p.111	bit_test()	p.86
port_b_pullups()	p.132	swap()	p.191
set_tris_X()	p.154	make8()	p.121
		make16()	p.121
		make32()	p.122

Built-In Function List By Category... Continued			
Standard C Math		Standard C Char	
abs()	p.82	atoi()	p.84
acos()	p.82	atoi32()	p.84
asin()	p.82	atol()	p.84
atan()	p.82	atof()	p.83
ceil()	p.88	tolower()	p.192
cos()	p.88	toupper()	p.192
exp()	p.95	isalnum()	p.112
floor()	p.97	isalpha()	p.112
labs()	p.116	isamoung()	p.113
sinh()	p.177	isdigit()	p.114
log()	p.119	islower()	p.112
log10()	p.120	isspace()	p.112
pow()	p.133	isupper()	p.112
sin()	p.177	isxdigit()	p.112
cosh()	p.177	strlen()	p.184
tanh()	p.177	strcpy()	p.187
fabs()	p.97	strncpy()	p.184
fmod()	p.98	strcmp()	p.184
atan2()	p.83	stricmp()	p.184
frexp()	p.99	strncmp()	p.184
ldexp()	p.118	strcat()	p.184
modf()	p.125	strstr()	p.184
sqrt()	p.183	strchr()	p.184
tan()	p.183	strchr()	p.184
div()	p.93	isgraph()	p.112
ldiv()	p.93	iscntrl()	p.112
Voltage Ref		strtok()	p.188
setup_vref()	p.173	strspn()	p.185
A/D Conversion		strcspn()	p.185
setup_adc_ports()	p.157	strpbrk()	p.184
setup_adc()	p.156	strlwr()	p.184
set_adc_channel()	p.150	sprintf()	p.182
read_adc()	p.140	isprint()	p.112
		strtod()	p.187
		strtol()	p.189
		strtoul()	p.190
		strncat()	p.184
		strcoll(), strxfrm()	p.184

Built-In Function List By Category... Continued			
Timers		Internal EEPROM	
setup_timer_X()	p.167	read_eeprom()	p.143
set_timer_X()	p.100	write_eeprom()	p.194
get_timer_X()	p.100	read_program_eeprom()	p.144
setup_counters()	p.160	write_program_eeprom()	p.197
setup_wdt()	p.174	read_calibration()	p.142
restart_wdt()	p.147	write_program_memory()	p.197
Standard C memory		read_program_memory()	p.144
memset()	p.124	write_external_memory()	p.196
memcpy()	p.123	erase_program_memory()	p.94
offsetof()	p.126	setup_external_memory()	p.161
offsetofbit()	p.126	Standard C Special	
malloc()	p.123	rand()	p.139
calloc()	p.87	srand()	p.184
free()	p.98	Delays	
realloc()	p.145	delay_us()	p.91
memmove()	p.123	delay_ms()	p.90
memcmp()	p.123	delay_cycles()	p.89
memchr()	p.123	Analog Compare	
Capture/Compare/PWM		setup_comparator()	p.159
setup_ccpX()	p.158		
set_pwmX_duty()	p.151		
setup_power_pwm()	p.164		
setup_power_pwm_pins()	p.165		
set_power_pwmX_duty()	p.152		
set_power_pwm_override()	p.152		

ABS()

Syntax: value = abs(*x*)

Parameters: *x* is a signed 8, 16, or 32 bit int or a float

Returns: Same type as the parameter.

Function: Computes the absolute value of a number.

Availability: All devices

Requires #include <stdlib.h>

Examples: signed int target,actual;
 ...
 error = abs(target-actual);

Example Files: None

Also See: labs()

ACOS()

See: SIN()

ASIN()

See: SIN()

ASSERT()

Syntax: assert (*condition*);

Parameters: *condition* is any relational expression

Returns: Nothing

Function:	This function tests the condition and if FALSE will generate an error message on STDERR (by default the first USE RS232 in the program). The error message will include the file and line of the assert(). No code is generated for the assert() if you #define NODEBUG. In this way you may include asserts in your code for testing and quickly eliminate them from the final program..
Availability:	All devices
Requires	assert.h and #use rs232
Examples:	<pre>assert(number_of_entries<TABLE_SIZE); // If number_of_entries is >= TABLE_SIZE then // the following is output at the RS232: // Assertion failed, file myfile.c, line 56</pre>
Example Files:	None
Also See:	#use rs232

ATOF()

Syntax:	result = atof (<i>string</i>)
Parameters:	<i>string</i> is a pointer to a null terminated string of characters.
Returns:	Result is a 32 bit floating point number.
Function:	Converts the string passed to the function into a floating point representation. If the result cannot be represented, the behavior is undefined.
Availability:	All devices
Requires	#include <stdlib.h>

Examples: `char string [10];`
 `float x;`

 `strcpy (string, "123.456");`
 `x = atof(string);`
 `// x is now 123.456`

Example Files: `ex_tank.c`

Also See: `atoi(), atol(), atoi32(), printf()`

ATOI() ATOL() ATOI32()

Syntax: `ivalue = atoi(string)`
 or
 `lvalue = atol(string)`
 or
 `i32value = atoi32(string)`

Parameters: *string* is a pointer to a null terminated string of characters.

Returns: `ivalue` is an 8 bit int.
 `lvalue` is a 16 bit int.
 `i32value` is a 32 bit int.

Function: Converts the string pointed to by `ptr` to int representation. Accepts both decimal and hexadecimal argument. If the result cannot be represented, the behavior is undefined.

Availability: All devices

Requires `#include <stdlib.h>`

Examples:

```
char string[10];
int x;

strcpy(string,"123");
x = atoi(string);
// x is now 123
```

Example Files: input.c

Also See: printf()

BIT_CLEAR()

Syntax: `bit_clear(var, bit)`

Parameters: *var* may be a 8,16 or 32 bit variable (any lvalue) *bit* is a number 0-31 representing a bit number, 0 is the least significant bit.

Returns: undefined

Function: Simply clears the specified bit (0-7, 0-15 or 0-31) in the given variable. The least significant bit is 0. This function is the same as: `var &= ~(1<<bit);`

Availability: All devices

Requires: None

Examples:

```
int x;
x=5;
bit_clear(x,2);
// x is now 1

bit_clear(*11,7); // A crude way to disable ints
```

Example Files: ex_patg.c

Also See: bit_set(), bit_test()

BIT_SET()

Syntax:	<code>bit_set(<i>var</i>, <i>bit</i>)</code>
Parameters:	<i>var</i> may be a 8,16 or 32 bit variable (any lvalue) <i>bit</i> is a number 0-31 representing a bit number, 0 is the least significant bit.
Returns:	undefined
Function:	Sets the specified bit (0-7, 0-15 or 0-31) in the given variable. The least significant bit is 0. This function is the same as: <code>var = (1<<bit);</code>
Availability:	All devices
Requires	Nothing
Examples:	<pre>int x; x=5; bit_set(x,3); // x is now 13 bit_set(*6,1); // A crude way to set pin B1 high</pre>
Example Files:	<code>ex_patg.c</code>
Also See:	<code>bit_clear()</code> , <code>bit_test()</code>

BIT_TEST()

Syntax:	<code>value = bit_test (<i>var</i>, <i>bit</i>)</code>
Parameters:	<i>var</i> may be a 8,16 or 32 bit variable (any lvalue) <i>bit</i> is a number 0-31 representing a bit number, 0 is the least significant bit.
Returns:	0 or 1
Function:	Tests the specified bit (0-7,0-15 or 0-31) in the given

variable. The least significant bit is 0. This function is much more efficient than, but otherwise the same as:
`((var & (1<<bit)) != 0)`

Availability: All devices

Requires Nothing

Examples:

```

if( bit_test(x,3) || !bit_test (x,1) ){
    //either bit 3 is 1 or bit 1 is 0
}

if(data!=0)
    for(i=31;!bit_test(data, i);i-- ) ;
// i now has the most significant bit in data
// that is set to a 1

```

Example Files: ex_patg.c

Also See: bit_clear(), bit_set()

CALLOC()

Syntax: `ptr=calloc(nmem, size)`

Parameters: *nmem* is an integer representing the number of member objects and *size* the number of bytes to be allocated or each one of them.

Returns: A pointer to the allocated memory, if any. Returns null otherwise.

Function: The calloc function allocates space for an array of *nmem* objects whose size is specified by *size*. The space is initialized to all bits zero.

Availability: All devices

Requires: STDLIBM.H must be included

C Compiler Reference Manual
Built-in Functions

Examples:

```
int * iptr;
iptr=calloc(5,10);
// iptr will point to a block of memory of
// 50 bytes all initialized to 0.
```

Example Files: None

Also See: realloc(), free(), malloc()

CEIL()

Syntax: result = ceil (*value*)

Parameters: *value* is a float

Returns: A float

Function: Computes the smallest integral value greater than the argument. CEIL(12.67) is 13.00.

Availability: All devices

Requires #include <math.h>

Examples:

```
// Calculate cost based on weight rounded
// up to the next pound

cost = ceil( weight ) * DollarsPerPound;
```

Example Files: None

Also See: floor()

COS()

See: SIN()

COSH()

See: SIN()

CLEAR_INTERRUPT()Syntax: clear_interrupt(*level*)Parameters: *level* – a constant defined in the devices.h file

Returns: undefined

Function: Clears the interrupt flag for the given level. This function is designed for use with a specific interrupt, thus eliminating the GLOBAL level as a possible parameter.

Availability: All devices

Requires: Nothing

Examples: `clear_interrupt(int_timer1);`

Example Files: None

Also See: enable_interrupts(), #INT

DELAY_CYCLES()Syntax: delay_cycles (*count*)Parameters: *count* - a constant 1-255

Returns: undefined

Function: Creates code to perform a delay of the specified number of instruction clocks (1-255). An instruction clock is equal to four oscillator clocks.

The delay time may be longer than requested if an interrupt is serviced during the delay. The time spent in the ISR does not count toward the delay time.

Availability: All devices

Requires Nothing

Examples: `delay_cycles(1); // Same as a NOP`
`delay_cycles(25); // At 20 mhz a 5us delay`

Example Files: `ex_cust.c`

Also See: `delay_us()`, `delay_ms()`

DELAY_MS()

Syntax: `delay_ms (time)`

Parameters: **time** - a variable 0-255 or a constant 0-65535

Returns: undefined

Function: This function will create code to perform a delay of the specified length. Time is specified in milliseconds. This function works by executing a precise number of instructions to cause the requested delay. It does not use any timers. If interrupts are enabled the time spent in an interrupt routine is not counted toward the time.

The delay time may be longer than requested if an interrupt is serviced during the delay. The time spent in the ISR does not count toward the delay time.

Availability: All devices

Requires `#use delay`

Examples: `#use delay (clock=20000000)`

```

delay_ms( 2 );

void delay_seconds(int n) {
    for (;n!=0; n- -)
        delay_ms( 1000 );
}

```

Example Files: ex_sqw.c

Also See: delay_us(), delay_cycles(), #use delay

DELAY_US()

Syntax: delay_us (*time*)

Parameters: *time* - a variable 0-255 or a constant 0-65535

Returns: undefined

Function: Creates code to perform a delay of the specified length. Time is specified in microseconds. Shorter delays will be INLINE code and longer delays and variable delays are calls to a function. This function works by executing a precise number of instructions to cause the requested delay. It does not use any timers. If interrupts are enabled the time spent in an interrupt routine is not counted toward the time.

The delay time may be longer than requested if an interrupt is serviced during the delay. The time spent in the ISR does not count toward the delay time.

Availability: All devices

Requires #use delay

Examples: #use delay(clock=20000000)

```

do {
    output_high(PIN_B0);
}

```

```
delay_us(duty);  
output_low(PIN_B0);  
delay_us(period-duty);  
} while(TRUE);
```

Example Files: ex_sqw.c

Also See: delay_ms(), delay_cycles(), #use delay

DISABLE_INTERRUPTS()

Syntax: disable_interrupts (*level*)

Parameters: *level* - a constant defined in the devices .h file

Returns: undefined

Function: Disables the interrupt at the given level. The GLOBAL level will not disable any of the specific interrupts but will prevent any of the specific interrupts, previously enabled to be active. Valid specific levels are the same as are used in #INT_XXX and are listed in the devices .h file. GLOBAL will also disable the peripheral interrupts on devices that have it. Note that it is not necessary to disable interrupts inside an interrupt service routine since interrupts are automatically disabled.

Availability: Device with interrupts (PCM and PCH)

Requires Should have a #int_XXXX, constants are defined in the devices .h file.

Examples:

```
disable_interrupts(GLOBAL); // all interrupts OFF  
disable_interrupts(INT_RDA); // RS232 OFF  
  
enable_interrupts(ADC_DONE);  
enable_interrupts(RB_CHANGE);  
    // these enable the interrupts  
    // but since the GLOBAL is disabled they  
    // are not activated until the following  
    // statement:  
enable_interrupts(GLOBAL);
```


Example Files: `ex_sisr.c, ex_stwt.c`

Also See: `enable_interrupts(), #int_xxxx`

DIV() LDIV()

Syntax: `idiv=div(num, denom)`
`ldiv =ldiv(lnum, ldenom)`
`idiv=ldiv(lnum, ldenom)`

Parameters: *num* and *denom* are signed integers.
num is the numerator and *denom* is the denominator.
lnum and *ldenom* are signed longs.
lnum is the numerator and *ldenom* is the denominator.

Returns: `idiv` is an object of type `div_t` and `ldiv` is an object of type `ldiv_t`. The `div` function returns a structure of type `div_t`, comprising of both the quotient and the remainder. The `ldiv` function returns a structure of type `ldiv_t`, comprising of both the quotient and the remainder.

Function: The `div` and `ldiv` function computes the quotient and remainder of the division of the numerator by the denominator. If the division is inexact, the resulting quotient is the integer or long of lesser magnitude that is the nearest to the algebraic quotient. If the result cannot be represented, the behavior is undefined; otherwise `quot*denom(ldenom)+rem` shall equal `num(lnum)`.

Availability: All devices.

Requires `#include <STDLIB.H>`

Examples:

```
div_t idiv;
ldiv_t ldiv;
idiv=div(3,2);
// idiv will contain quot=1 and rem=1
```

```
ldiv=ldiv(300,250);  
//ldiv will contain quot=1 and rem=50
```

Example Files: None

Also See: None

ENABLE_INTERRUPTS()

Syntax: `enable_interrupts (level)`

Parameters: *level* - a constant defined in the devices .h file

Returns: undefined

Function: Enables the interrupt at the given level. An interrupt procedure should have been defined for the indicated interrupt. The GLOBAL level will not enable any of the specific interrupts but will allow any of the specific interrupts previously enabled to become active.

Availability: Device with interrupts (PCM and PCH)

Requires: Should have a #int_xxxx, Constants are defined in the devices .h file.

Examples:

```
enable_interrupts(GLOBAL);  
enable_interrupts(INT_TIMER0);  
enable_interrupts(INT_TIMER1);
```

Example Files: ex_sisr.c, ex_stwt.c

Also See: `disable_interrupts()`, #int_xxxx

ERASE_PROGRAM_EEPROM()

Syntax: `erase_program_eeprom (address);`

Parameters: *address* is 16 bits on PCM parts and 32 bits on PCH parts.

The least significant bits may be ignored.

Returns:	undefined
Function:	Erases FLASH_ERASE_SIZE bytes to 0xFFFF in program memory. FLASH_ERASE_SIZE varies depending on the part. For example, if it is 64 bytes then the least significant 6 bits of address is ignored.
Availability:	Only devices that allow writes to program memory.
Requires	Nothing
Examples:	<pre>for (i=0x1000; i<=0x1fff; i+=getenv("FLASH_ERASE_SIZE")) erase_program_memory(i);</pre>
Example Files:	None
Also See:	write_program_eeprom(), write_program_memory()

EXP()

Syntax:	result = exp (<i>value</i>)
Parameters:	<i>value</i> is a float
Returns:	A float
Function:	Computes the exponential function of the argument. This is e to the power of value where e is the base of natural logarithms. exp(1) is 2.7182818.

Note on error handling:

If "errno.h" is included then the domain and range errors are stored in the errno variable. The user can check the errno to see if an error has occurred and print the error using the perror function.

Range error occur in the following case:

- exp: when the argument is too large

Availability: All devices

Requires math.h must be included

Examples:

```
// Calculate x to the power of y
x_power_y = exp( y * log(x) );
```

Example Files: None

Also See: pow(), log(), log10()

EXT_INT_EDGE()

Syntax: `ext_int_edge (source, edge)`

Parameters: *source* is a constant 0,1 or 2 for the PIC18XXX and 0 otherwise source is optional and defaults to 0 *edge* is a constant H_TO_L or L_TO_H representing "high to low" and "low to high"

Returns: undefined

Function: Determines when the external interrupt is acted upon. The edge may be L_TO_H or H_TO_L to specify the rising or falling edge.

Availability: Only devices with interrupts (PCM and PCH)

Requires Constants are in the devices .h file

Examples:

```
ext_int_edge( 2, L_TO_H ); // Set up PIC18 EXT2
ext_int_edge( H_TO_L ); // Sets up EXT
```

Example Files: ex_wakup.c

Also See: #INT_EXT, enable_interrupts(), disable_interrupts()

FABS()

Syntax:	result=fabs (<i>value</i>)
Parameters:	<i>value</i> is a float
Returns:	result is a float
Function:	The fabs function computes the absolute value of a float
Availability:	All devices.
Requires	MATH.H must be included
Examples:	<pre>float result; result=fabs(-40.0) // result is 40.0</pre>
Example Files:	None
Also See:	abs(), labs()

FLOOR()

Syntax:	result = floor (<i>value</i>)
Parameters:	<i>value</i> is a float
Returns:	result is a float
Function:	Computes the greatest integral value not greater than the argument. Floor (12.67) is 12.00.
Availability:	All devices.
Requires	MATH.H must be included
Examples:	<pre>// Find the fractional part of a value</pre>

```
frac = value - floor(value);
```

Example Files: None

Also See: ceil()

FMOD()

Syntax: result= fmod (*val1*, *val2*)

Parameters: *val1* and *val2* are floats

Returns: result is a float

Function: Returns the floating point remainder of val1/val2. Returns the value val1 - i*val2 for some integer "i" such that, if val2 is nonzero, the result has the same sign as val1 and magnitude less than the magnitude of val2.

Availability: All devices.

Requires MATH.H must be included

Examples:

```
float result;  
result=fmod(3,2);  
// result is 1
```

Example Files: None

Also See: None

FREE()

Syntax: free(*ptr*)

Parameters: *ptr* is a pointer earlier returned by the calloc, malloc or realloc.

Returns:	No value
Function:	The free function causes the space pointed to by the ptr to be deallocated, which is made available for further allocation. If ptr is a null pointer, no action occurs. If the ptr does not match a pointer earlier returned by the calloc, malloc or realloc, or if the space has been deallocated by a call to free or realloc function, the behavior is undefined.
Availability:	All devices.
Requires	STDLIBM.H must be included
Examples:	<pre>int * iptr; iptr=malloc(10); free(iptr) // iptr will be deallocated</pre>
Example Files:	None
Also See:	realloc(), malloc(), calloc()

FREXP()

Syntax:	result=frexp (<i>value</i> , & <i>exp</i>);
Parameters:	<i>value</i> is float <i>exp</i> is a signed int.
Returns:	result is a float
Function:	The frexp function breaks a floating point number into a normalized fraction and an integral power of 2. It stores the integer in the signed int object exp. The result is in the interval [1/2,1) or zero, such that value is result times 2 raised to power exp. If value is zero then both parts are zero.
Availability:	All devices.

Requires: MATH.H must be included

Examples:

```
float result;
signed int exp;
result=frexp(.5,&exp);
// result is .5 and exp is 0
```

Example Files: None

Also See: ldexp(), exp(), log(), log10(), modf()

GET_TIMERx()

Syntax: value=get_timer0() Same as: value=get_rtcc()
value=get_timer1()
value=get_timer2()
value=get_timer3()
value=get_timer4()
value=get_timer5()

Parameters: None

Returns: Timers 1, 3, and 5 return a 16 bit int.
Timers 2 and 4 return an 8 bit int.
Timer 0 (AKA RTCC) returns a 8 bit int except on the PIC18XXX where it returns a 16 bit int.

Function: Returns the count value of a real time clock/counter. RTCC and Timer0 are the same. All timers count up. When a timer reaches the maximum value it will flip over to 0 and continue counting (254, 255, 0, 1, 2...).

Availability: Timer 0 - All devices
Timers 1 & 2 - Most but not all PCM devices
Timer 3 - Only PIC18XXX
Timer 4 - Some PCH devices
Timer 5 - Only PIC18XX31

Requires: Nothing

Examples:

```
set_timer0(0);
while ( get_timer0() < 200 ) ;
```

Example Files: `ex_stwt.c`

Also See: `set_timerx()`, `setup_timerx()`

GETC() GETCH() GETCHAR() FGETC()

Syntax:

```
value = getc()
value = fgetc(stream)
value=getch()
value=getchar()
```

Parameters: ***stream*** is a stream identifier (a constant byte)

Returns: An 8 bit character

Function: This function waits for a character to come in over the RS232 RCV pin and returns the character. If you do not want to hang forever waiting for an incoming character use `kbhit()` to test for a character available. If a built-in USART is used the hardware can buffer 3 characters otherwise GETC must be active while the character is being received by the PIC®.

If `fgetc()` is used then the specified stream is used where `getc()` defaults to STDIN (the last USE RS232).

Availability: All devices

Requires `#use rs232`

Examples:

```
printf("Continue (Y,N)?");
do {
    answer=getch();
}while(answer!='Y' && answer!='N');
```

```
#use rs232 (baud=9600,xmit=pin_c6,  
           rcv=pin_c7,stream=HOSTPC)  
#use rs232 (baud=1200,xmit=pin_b1,  
           rcv=pin_b0,stream=GPS)  
#use rs232 (baud=9600,xmit=pin_b3,  
           stream=DEBUG)  
...  
while(TRUE) {  
    c=fgetc(GPS);  
    fputc(c,HOSTPC);  
    if(c==13)  
        fprintf(DEBUG,"Got a CR\r\n");  
}
```

Example Files: ex_stwt.c

Also See: putc(), kbhit(), printf(), #use rs232, input.c

GETENV()

Syntax: value = getenv (*cstring*);

Parameters: *cstring* is a constant string with a recognized keyword

Returns: A constant number, a constant string or 0

Function: This function obtains information about the execution environment. The following are recognized keywords. This function returns a constant 0 if the keyword is not understood.

FUSE_SET	ffff Returns 1 if fuse ffff is enabled
FUSE_VALID	ffff Returns 1 if fuse ffff is valid
INT:iiii	Returns 1 if the interrupt iiii is valid
ID	Returns the device ID (set by #ID)
DEVICE	Returns the device name string (like "PIC16C74")

VERSION	Returns the compiler version as a float
VERSION_STRING	Returns the compiler version as a string
PROGRAM_MEMORY	Returns the size of memory for code (in words)
STACK	Returns the stack size
DATA_EEPROM	Returns the number of bytes of data EEPROM
READ_PROGRAM	Returns a 1 if the code memory can be read
PIN:pb	Returns a 1 if bit b on port p is on this part
ADC_CHANNELS	Returns the number of A/D channels
ADC_RESOLUTION	Returns the number of bits returned from READ_ADC()
ICD	Returns a 1 if this is being compiled for a ICD
SPI	Returns a 1 if the device has SPI
USB	Returns a 1 if the device has USB
CAN	Returns a 1 if the device has CAN
I2C_SLAVE	Returns a 1 if the device has I2C slave H/W
I2C_MASTER	Returns a 1 if the device has I2C master H/W
PSP	Returns a 1 if the device has PSP
COMP	Returns a 1 if the device has a

C Compiler Reference Manual
Built-in Functions

	comparator
VREF	Returns a 1 if the device has a voltage reference
LCD	Returns a 1 if the device has direct LCD H/W
UART	Returns the number of H/W UARTs
CCPx	Returns a 1 if the device has CCP number x
TIMERx	Returns a 1 if the device has TIMER number x
FLASH_WRITE_SIZE	Smallest number of bytes that can be written to FLASH
FLASH_ERASE_SIZE	Smallest number of bytes that can be erased in FLASH
BYTES_PER_ADDRESS	Returns the number of bytes at an address location
BITS_PER_INSTRUCTION	Returns the size of an instruction in bits

Availability: All devices

Requires Nothing

Examples:

```
#IF getenv("VERSION")<3.050
  #ERROR Compiler version too old
#ENDIF

for(i=0;i<getenv("DATA_EEPROM");i++)
  write_eeprom(i,0);

#IF getenv("FUSE_VALID:BROWNOUT")
  #FUSE BROWNOUT
#ENDIF
```

Example Files: None

Also See: None

GETS() FGETS()

Syntax: `gets (string)`
`value = fgets (string, stream)`

Parameters: ***string*** is a pointer to an array of characters. ***Stream*** is a stream identifier (a constant byte)

Returns: undefined

Function: Reads characters (using GETC()) into the string until a RETURN (value 13) is encountered. The string is terminated with a 0. Note that INPUT.C has a more versatile GET_STRING function.

If fgets() is used then the specified stream is used where gets() defaults to STDIN (the last USE RS232).

Availability: All devices

Requires `#use rs232`

Examples:

```
char string[30];

printf("Password: ");
gets(string);
if(strcmp(string, password))
    printf("OK");
```

Example Files: None

Also See: `getc()`, `get_string` in `input.c`

GOTO_ADDRESS()

Syntax: `goto_address(location);`

Parameters: ***location*** is a ROM address, 16 or 32 bit int.

Returns: Nothing

Function: This function jumps to the address specified by *location*. Jumps outside of the current function should be done only with great caution. This is not a normally used function except in very special situations.

Availability: All devices

Requires Nothing

Examples:

```
#define LOAD_REQUEST PIN_B1
#define LOADER 0x1f00

if(input(LOAD_REQUEST))
    goto_address(LOADER);
```

Example Files: setjmp.h

Also See: label_address()

I2C_POLL()

Syntax: i2c_poll()

Parameters: None

Returns: 1 (TRUE) or 0 (FALSE)

Function: The I2C_POLL() function should only be used when the built-in SSP is used. This function returns TRUE if the hardware has a received byte in the buffer. When a TRUE is returned, a call to I2C_READ() will immediately return the byte that was received.

Availability: Devices with built in I2C

Requires: `#use i2c`

Examples:

```
i2c_start(); // Start condition
i2c_write(0xc1); // Device address/Read
count=0;
while(count!=4) {
    while(!i2c_poll());
    buffer[count++]= i2c_read(); //Read Next
}
i2c_stop(); // Stop condition
```

Example Files: `ex_slave.c`

Also See: `i2c_start`, `i2c_write`, `i2c_stop`, `i2c_poll`

I2C_READ()

Syntax: `data = i2c_read();`
or
`data = i2c_read(ack);`

Parameters: ***ack***-Optional, defaults to 1.
0 indicates do not ack.
1 indicates to ack.

Returns: `data - 8 bit int`

Function: Reads a byte over the I2C interface. In master mode this function will generate the clock and in slave mode it will wait for the clock. There is no timeout for the slave, use `I2C_POLL` to prevent a lockup. Use `RESTART_WDT` in the `#USE I2C` to strobe the watchdog timer in the slave mode while waiting.

Availability: Devices with built in I2C

Requires: `#use i2c`

Examples:

```
i2c_start();
i2c_write(0xa1);
data1 = i2c_read();
data2 = i2c_read();
```

```
i2c_stop();
```

Example Files: `ex_extee.c` with 2416.C

Also See: `i2c_start`, `i2c_write`, `i2c_stop`, `i2c_poll`

I2C_START()

Syntax: `i2c_start()`

Parameters: None

Returns: undefined

Function: Issues a start condition when in the I2C master mode. After the start condition the clock is held low until `I2C_WRITE()` is called. If another `I2C_start` is called in the same function before an `i2c_stop` is called then a special restart condition is issued. Note that specific I2C protocol depends on the slave device.

Availability: All devices.

Requires `#use i2c`

Examples:

```
i2c_start();  
i2c_write(0xa0); // Device address  
i2c_write(address); // Data to device  
i2c_start(); // Restart  
i2c_write(0xa1); // to change data direction  
data=i2c_read(0); // Now read from slave  
i2c_stop();
```

Example Files: `ex_extee.c` with 2416.C

Also See: `i2c_start`, `i2c_write`, `i2c_stop`, `i2c_poll`

I2C_STOP()

Syntax:	<code>i2c_stop()</code>
Parameters:	None
Returns:	undefined
Function:	Issues a stop condition when in the I2C master mode.
Availability:	All devices.
Requires	<code>#use i2c</code>
Examples:	<pre> i2c_start(); // Start condition i2c_write(0xa0); // Device address i2c_write(5); // Device command i2c_write(12); // Device data i2c_stop(); // Stop condition </pre>
Example Files:	<code>ex_extee.c</code> with 2416.C
Also See:	<code>i2c_start</code> , <code>i2c_write</code> , <code>i2c_read</code> , <code>i2c_poll</code> , <code>#use i2c</code>

I2C_WRITE()

Syntax:	<code>i2c_write (<i>data</i>)</code>
Parameters:	<i>data</i> is an 8 bit int
Returns:	This function returns the ACK Bit. 0 means ACK, 1 means NO ACK.
Function:	Sends a single byte over the I2C interface. In master mode this function will generate a clock with the data and in slave mode it will wait for the clock from the master. No automatic timeout is provided in this function. This function returns the ACK bit. The LSB of the first write after a start determines the direction of data transfer (0 is master to slave). Note that specific I2C protocol depends on the slave device.

Availability: All devices.

Requires `#use i2c`

Examples:

```
long cmd;
...
i2c_start(); // Start condition
i2c_write(0xa0); // Device address
i2c_write(cmd); // Low byte of command
i2c_write(cmd>>8); // High byte of command
i2c_stop(); // Stop condition
```

Example Files: `ex_extee.c` with 2416.C

Also See: `i2c_start()`, `i2c_stop`, `i2c_read`, `i2c_poll`, `#use i2c`

INPUT()

Syntax: `value = input (pin)`

Parameters: ***Pin*** to read. Pins are defined in the devices .h file. The actual value is a bit address. For example, port a (byte 5) bit 3 would have a value of $5*8+3$ or 43. This is defined as follows: `#define PIN_A3 43`

Returns: 0 (or FALSE) if the pin is low,
1 (or TRUE) if the pin is high

Function: This function returns the state of the indicated pin. The method of I/O is dependent on the last USE `*_IO` directive. By default with standard I/O before the input is done the data direction is set to input.

Availability: All devices.

Requires Pin constants are defined in the devices .h file

Examples:

```
while ( !input(PIN_B1) );
// waits for B1 to go high

if( input(PIN_A0) )
    printf("A0 is now high\r\n");
```

Example Files: EX_PULSE.C

Also See: input_x(), output_low(), output_high(), #use xxxx_io

INPUT_STATE()

Syntax: value = input_state(*pin*)

Parameters: *pin* to read. Pins are defined in the devices .h file. The actual value is a bit address. For example, port A (byte 5) bit 3 would have a value of 5*8+3 or 43. This is defined as follows: #define PIN_A3 43.

Returns: Bit specifying whether pin is input or output. A 1 indicates the pin is input and a 0 indicates it is output.

Function: This function reads the I/O state of a pin without changing the direction of the pin as INPUT() does.

Availability: All devices.

Requires Nothing

Examples:

```
dir = input_state(pin_A3);
printf("Direction: %d",dir);
```

Example Files: None

Also See: input(), set_tris_x(), output_low(), output_high()

INPUT_x()

Syntax: value = input_a()
value = input_b()
value = input_c()
value = input_d()
value = input_e()

Parameters:	None
Returns:	An 8 bit int representing the port input data.
Function:	Inputs an entire byte from a port. The direction register is changed in accordance with the last specified #USE *_IO directive. By default with standard I/O before the input is done the data direction is set to input.
Availability:	All devices.
Requires	Nothing
Examples:	<code>data = input_b();</code>
Example Files:	ex_psp.c
Also See:	input(), output_x(), #USE xxxx_IO

ISALNUM(char)
ISALPHA(char)
ISDIGIT(char)
ISLOWER(char)
ISSPACE(char)
ISUPPER(char)
ISXDIGIT(char)
ISCNTRL(x)
ISGRAPH(x)
ISPRINT(x)
ISPUNCT(x)

Syntax: value = isalnum(*datac*)
 value = isdigit(*datac*)
 value = islower(*datac*)
 value = isspace(*datac*)
 value = isupper(*datac*)
 value = isxdigit(*datac*)

iscntrl(x) X is less than a space
 isgraph(x) X is greater than a space
 isprint(x) X is greater than or equal to a space
 ispunct(x) X is greater than a space and not a letter or number

Parameters:	<i>datac</i> is a 8 bit character
Returns:	0 (or FALSE) if datac dose not match the criteria, 1 (or TRUE) if datac does match the criteria.
Function:	Tests a character to see if it meets specific criteria as follows: isalnum(x) X is 0..9, 'A'..'Z', or 'a'..'z' isalpha(x) X is 'A'..'Z' or 'a'..'z' isdigit(x) X is '0'..'9' islower(x) X is 'a'..'z' isupper(x) X is 'A'..'Z' isspace(x) X is a space isxdigit(x) X is '0'..'9', 'A'..'F', or 'a'..'f'
Availability:	All devices.
Requires	ctype.h
Examples:	<pre> char id[20]; ... if (isalpha(id[0])) { valid_id=TRUE; for (i=1; i<strlen(id); i++) valid_id=valid_id&& isalnum(id[i]); } else valid_id=FALSE; </pre>
Example Files:	ex_str.c
Also See:	isamoung()

ISAMOUNG()

Syntax: result = isamoung (*value*, *cstring*)

Parameters:	<i>value</i> is a character <i>cstring</i> is a constant string
Returns:	0 (or FALSE) if value is not in cstring 1 (or TRUE) if value is in cstring
Function:	Returns TRUE if a character is one of the characters in a constant string.
Availability:	All devices.
Requires	Nothing
Examples:	<pre>char x; ... if(isamoung (x,"0123456789ABCDEFGHIJKLMNPOQRSTUVWXYZ") printf("The character is valid");</pre>
Example Files:	ctype.h
Also See:	isalnum(), isalpha(), isdigit(), isspace(), islower(), isupper(), isxdigit()

KBHIT()

Syntax:	value = kbhit() value = kbhit(<i>stream</i>)
Parameters:	stream is the stream id assigned to an available RS232 port. If the stream parameter is not included, the function uses the primary stream used by getc().
Returns:	0 (or FALSE) if getc() will need to wait for a character to come in, 1 (or TRUE) if a character is ready for getc()
Function:	If the RS232 is under software control this function returns TRUE if the start bit of a character is being sent on the RS232 RCV pin. If the RS232 is hardware this function returns TRUE is a character has been received

and is waiting in the hardware buffer for `getc()` to read. This function may be used to poll for data without stopping and waiting for the data to appear. Note that in the case of software RS232 this function should be called at least 10 times the bit rate to ensure incoming data is not lost.

Availability: All devices.

Requires `#use rs232`

Examples:

```
char timed_getc() {
    long timeout;

    timeout_error=FALSE;
    timeout=0;
    while(!kbhit() && (++timeout<50000)) // 1/2
                                           // second
        delay_us(10);
    if(kbhit())
        return(getc());
    else {
        timeout_error=TRUE;
        return(0);
    }
}
```

Example Files: `ex_tgetc.c`

Also See: `getc()`, `#USE RS232`

LABEL_ADDRESS()

Syntax: `value = label_address(label);`

Parameters: *label* is a C label anywhere in the function

Returns: A 16 bit int in PCB,PCM and a 32 bit int for PCH

Function: This function obtains the address in ROM of the next instruction after the label. This is not a normally used function except in very special situations.

Availability: All devices.

Requires Nothing

Examples:

```
start:
    a = (b+c)<<2;
end:
    printf("It takes %lu ROM locations.\r\n",
        label_address(end)-label_address(start));
```

Example Files: setjmp.h

Also See: goto_address()

LABS()

Syntax: result = labs (*value*)

Parameters: *value* is a 16 bit signed long int

Returns: A 16 bit signed long int

Function: Computes the absolute value of a long integer.

Availability: All devices.

Requires stdlib.h must be included

Examples:

```
if(labs( target_value - actual_value ) > 500)
    printf("Error is over 500 points\r\n");
```

Example Files: None

Also See: abs()

LCD_LOAD()

Syntax:	<code>lcd_load (<i>buffer_pointer</i>, <i>offset</i>, <i>length</i>);</code>
Parameters:	<i>buffer_pointer</i> points to the user data to send to the LCD, <i>offset</i> is the offset into the LCD segment memory to write the data, <i>length</i> is the number of bytes to transfer.
Returns:	undefined
Function:	Will load <i>length</i> bytes from <i>buffer_pointer</i> into the 923/924 LCD segment data area beginning at offset (0-15). <code>lcd_symbol</code> provides an easier way to write data to the segment memory.
Availability:	This function is only available on devices with LCD drive hardware.
Requires	Constants are defined in the devices .h file.
Examples:	<code>lcd_load(buffer, 0, 16);</code>
Example Files:	<code>ex_92lcd.c</code>
Also See:	<code>lcd_symbol()</code> , <code>setup_lcd()</code>

LCD_SYMBOL()

Syntax:	<code>lcd_symbol (<i>symbol</i>, <i>b7_addr</i>, <i>b6_addr</i>, <i>b5_addr</i>, <i>b4_addr</i>, <i>b3_addr</i>, <i>b2_addr</i>, <i>b1_addr</i>, <i>b0_addr</i>);</code>
Parameters:	<i>symbol</i> is a 8 bit constant. <i>bX_addr</i> is a bit address representing the segment location to be used for bit X of symbol.
Returns:	undefined
Function:	Loads 8 bits into the segment data area for the LCD with each bit address specified. If bit 7 in <i>symbol</i> is set the segment at <i>B7_addr</i> is set, otherwise it is cleared. The same is true of all other bits in <i>symbol</i> . The <i>B7_addr</i> is a

bit address into the LCD RAM.

Availability: This function is only available on devices with LCD drive hardware.

Requires Constants are defined in the devices .h file.

Examples:

```
byte CONST DIGIT_MAP[10]=
{0X90,0XB7,0X19,0X36,0X54,0X50,0XB5,0X24};

#define DIGIT_1_CONFIG
COM0+2,COM0+4,COM05,COM2+4,COM2+1,
COM1+4,COM1+5

for(i=1; i<=9; ++i) {
    LCD_SYMBOL(DIGIT_MAP[i],DIGIT_1_CONFIG);
    delay_ms(1000);
}
```

Example Files: ex_92lcd.c

Also See: setup_lcd(), lcd_load()

LDEXP()

Syntax: result= ldexp (*value*, *exp*);

Parameters: *value* is float
exp is a signed int.

Returns: result is a float with value result times 2 raised to power exp.

Function: The ldexp function multiplies a floating-point number by an integral power of 2.

Availability: All devices.

Requires MATH.H must be included

Examples:

```
float result;
```

```
signed int exp;
result=ldexp(.5,0);
// result is .5
```

Example Files: None

Also See: frexp(), exp(), log(), log10(), modf()

LOG()

Syntax: result = log (*value*)

Parameters: *value* is a float

Returns: A float

Function: Computes the natural logarithm of the float x. If the argument is less than or equal to zero or too large, the behavior is undefined.

Note on error handling:
 f "errno.h" is included then the domain and range errors are stored in the errno variable. The user can check the errno to see if an error has occurred and print the error using the perror function.

Domain error occurs in the following cases:

- log: when the argument is negative

Availability: All devices

Requires: math.h must be included.

Examples: `lnx = log(x);`

Example Files: None

Also See: log10(), exp(), pow()

LOG10()

Syntax: `result = log10 (value)`

Parameters: *value* is a float

Returns: A float

Function: Computes the base-ten logarithm of the float x. If the argument is less than or equal to zero or too large, the behavior is undefined.

Note on error handling:

If "errno.h" is included then the domain and range errors are stored in the errno variable. The user can check the errno to see if an error has occurred and print the error using the perror function.

Domain error occurs in the following cases:

- log10: when the argument is negative

Availability: All devices

Requires `#include <math.h>`

Examples: `db = log10(read_adc()*(5.0/255))*10;`

Example Files: None

Also See: `log()`, `exp()`, `pow()`

MAKE8()

Syntax:	<code>i8 = MAKE8(<i>var</i>, <i>offset</i>)</code>
Parameters:	<i>var</i> is a 16 or 32 bit integer. <i>offset</i> is a byte offset of 0,1,2 or 3.
Returns:	An 8 bit integer
Function:	Extracts the byte at offset from var. Same as: <code>i8 = (((var >> (offset*8)) & 0xff)</code> except it is done with a single byte move.
Availability:	All devices
Requires	Nothing
Examples:	<pre>int32 x; int y; y = make8(x,3); // Gets MSB of x</pre>
Example Files:	None
Also See:	make16(), make32()

MAKE16()

Syntax:	<code>i16 = MAKE16(<i>varhigh</i>, <i>varlow</i>)</code>
Parameters:	<i>varhigh</i> and <i>varlow</i> are 8 bit integers.
Returns:	A 16 bit integer
Function:	Makes a 16 bit number out of two 8 bit numbers. If either parameter is 16 or 32 bits only the lsb is used. Same as: <code>i16 = (int16)(varhigh&0xff)*0x100+(varlow&0xff)</code> except it is done with two byte moves.

Availability: All devices

Requires Nothing

Examples:

```
long x;
int hi, lo;

x = make16(hi, lo);
```

Example Files: ltc1298.c

Also See: make8(), make32()

MAKE32()

Syntax: `i32 = MAKE32(var1, var2, var3, var4)`

Parameters: *var1-4* are a 8 or 16 bit integers. *var2-4* are optional.

Returns: A 32 bit integer

Function: Makes a 32 bit number out of any combination of 8 and 16 bit numbers. Note that the number of parameters may be 1 to 4. The msb is first. If the total bits provided is less than 32 then zeros are added at the msb.

Availability: All devices

Requires Nothing

Examples:

```
int32 x;
int y;
long z;

x = make32(1,2,3,4); // x is 0x01020304

y=0x12;
z=0x4321;

x = make32(y,z); // x is 0x00124321
```

```
x = make32(y,y,z); // x is 0x12124321
```

Example Files: `ex_freqc.c`

Also See: `make8()`, `make16()`

MALLOC()

Syntax: `ptr=malloc(size)`

Parameters: *size* is an integer representing the number of bytes to be allocated.

Returns: A pointer to the allocated memory, if any. Returns null otherwise.

Function: The malloc function allocates space for an object whose size is specified by size and whose value is indeterminate.

Availability: All devices

Requires: `STDLIBM.H` must be included

Examples:

```
int * iptr;
iptr=malloc(10);
// iptr will point to a block of memory of 10
bytes.
```

Example Files: None

Also See: `realloc()`, `free()`, `calloc()`

MEMCPY() MEMMOVE()

Syntax: `memcpy(destination, source, n)`
`memmove(destination, source, n)`

Parameters:	<i>destination</i> is a pointer to the destination memory, <i>source</i> is a pointer to the source memory, <i>n</i> is the number of bytes to transfer
Returns:	undefined
Function:	Copies <i>n</i> bytes from source to destination in RAM. Be aware that array names are pointers where other variable names and structure names are not (and therefore need a & before them). Memmove performs a safe copy (overlapping objects doesn't cause a problem). Copying takes place as if the <i>n</i> characters from the source are first copied into a temporary array of <i>n</i> characters that doesn't overlap the destination and source objects. Then the <i>n</i> characters from the temporary array are copied to destination.
Availability:	All devices
Requires	Nothing
Examples:	<pre>memcpy(&structA, &structB, sizeof (structA)); memcpy(arrayA,arrayB,sizeof (arrayA)); memcpy(&structA, &databyte, 1); char a[20]="hello"; memmove(a,a+2,5); // a is now "llo"MEMMOVE()</pre>
Example Files:	None
Also See:	strcpy(), memset()

MEMSET()

Syntax:	memset (<i>destination</i> , <i>value</i> , <i>n</i>)
Parameters:	<i>destination</i> is a pointer to memory, <i>value</i> is a 8 bit int, <i>and n</i> is a 8 bit int.

Returns:	undefined
Function:	Copies n bytes of memory at destination with the value. Be aware that array names are pointers where other variable names and structure names are not (and therefore need a & before them).
Availability:	All devices
Requires	Nothing
Examples:	<pre>memset(arrayA, 0, sizeof(arrayA)); memset(arrayB, '?', sizeof(arrayB)); memset(&structA, 0xFF, sizeof (structA));</pre>
Example Files:	None
Also See:	memcpy()

MODF()

Syntax:	result= modf (<i>value</i> , & <i>integral</i>)
Parameters:	<i>value</i> and <i>integral</i> are floats
Returns:	result is a float
Function:	The modf function breaks the argument value into integral and fractional parts, each of which has the same sign as the argument. It stores the integral part as a float in the object integral.
Availability:	All devices
Requires	MATH.H must be included
Examples:	<pre>float result, integral; result=modf(123.987,&integral); // result is .987 and integral is 123.0000</pre>

Example Files: None

Also See: None

OFFSETOF() OFFSETOFBIT()

Syntax: value = `offsetof(stype, field)`;
value = `offsetofbit(stype, field)`;

Parameters: *stype* is a structure type name.
Field is a field from the above structure

Returns: An 8 bit byte

Function: These functions return an offset into a structure for the indicated field. `offsetof` returns the offset in bytes and `offsetofbit` returns the offset in bits.

Availability: All devices

Requires `stddef.h`

Examples:

```
struct time_structure {
    int hour, min, sec;
    int zone : 4;
    short daylight_savings;
}

x = offsetof(time_structure, sec);
    // x will be 2
x = offsetofbit(time_structure, sec);
    // x will be 16
x = offsetof (time_structure,
    daylight_savings);
    // x will be 3
x = offsetofbit(time_structure,
    daylight_savings);
    // x will be 28
```

Example Files: None

Also See: None

OUTPUT_A()
OUTPUT_B()
OUTPUT_C()
OUTPUT_D()
OUTPUT_E()

Syntax: output_a (*value*)
 output_b (*value*)
 output_c (*value*)
 output_d (*value*)
 output_e (*value*)

Parameters: *value* is a 8 bit int

Returns: undefined

Function: Output an entire byte to a port. The direction register is changed in accordance with the last specified #USE *_IO directive.

Availability: All devices, however not all devices have all ports (A-E)

Requires Nothing

Examples: **OUTPUT_B(0xf0) ;**

Example Files: ex_patg.c

Also See: input(), output_low(), output_high(), output_float(),
 output_bit(), #use xxxx_io

OUTPUT_BIT()

Syntax: output_bit (*pin, value*)

- Parameters: *Pins* are defined in the devices .h file. The actual number is a bit address. For example, port a (byte 5) bit 3 would have a value of 5*8+3 or 43. This is defined as follows:
`#define PIN_A3 43`. *Value* is a 1 or a 0.
- Returns: undefined
- Function: Outputs the specified value (0 or 1) to the specified I/O pin. The method of setting the direction register is determined by the last `#USE *_IO` directive.
- Availability: All devices.
- Requires Pin constants are defined in the devices .h file
- Examples:

```
output_bit( PIN_B0, 0);  
// Same as output_low(pin_B0);  
  
output_bit( PIN_B0, input( PIN_B1 ) );  
// Make pin B0 the same as B1  
  
output_bit( PIN_B0,  
           shift_left(&data,1,input(PIN_B1)));  
// Output the MSB of data to  
// B0 and at the same time  
// shift B1 into the LSB of data
```
- Example Files: ex_extee.c with 9356.c
- Also See: `input()`, `output_low()`, `output_high()`, `output_float()`, `output_x()`, `#use xxxx_io`

OUTPUT_FLOAT()

- Syntax: `output_float (pin)`
- Parameters: *Pins* are defined in the devices .h file. The actual value is a bit address. For example, port a (byte 5) bit 3 would have a value of 5*8+3 or 43. This is defined as follows:
`#define PIN_A3 43`

Returns:	undefined
Function:	Sets the specified pin to the input mode. This will allow the pin to float high to represent a high on an open collector type of connection.
Availability:	All devices.
Requires	Pin constants are defined in the devices .h file
Examples:	<pre>if((data & 0x80)==0) output_low(pin_A0); else output_float(pin_A0);</pre>
Example Files:	None
Also See:	input(), output_low(), output_high(), output_bit(), output_x(), #use xxxx_io

OUTPUT_HIGH()

Syntax:	output_high (<i>pin</i>)
Parameters:	<i>Pin</i> to read. Pins are defined in the devices .h file. The actual value is a bit address. For example, port a (byte 5) bit 3 would have a value of 5*8+3 or 43. This is defined as follows: #define PIN_A3 43
Returns:	undefined
Function:	Sets a given pin to the high state. The method of I/O used is dependent on the last USE *_IO directive.
Availability:	All devices.
Requires	Pin constants are defined in the devices .h file
Examples:	output_high(PIN_A0);

Example Files: `ex_sqw.c`

Also See: `input()`, `output_low()`, `output_float()`, `output_high()`,
`output_bit()`, `output_x()`, `#use xxxx_io`

OUTPUT_LOW()

Syntax: `output_low(pin)`

Parameters: *Pins* are defined in the devices .h file. The actual value is a bit address. For example, port a (byte 5) bit 3 would have a value of $5*8+3$ or 43. This is defined as follows:
`#define PIN_A3 43`

Returns: undefined

Function: Sets a given pin to the ground state. The method of I/O used is dependent on the last `USE *_IO` directive.

Availability: All devices.

Requires Pin constants are defined in the devices .h file

Examples: `output_low(PIN_A0);`

Example Files: `ex_sqw.c`

Also See: `input()`, `output_high()`, `output_low()`, `output_float()`,
`output_high()`, `output_bit()`, `output_x()`, `#use xxxx_io`

OUTPUT_TOGGLE()

Syntax: `output_toggle(pin)`

Parameters: *Pins* are defined in the devices .h file. The actual value is a bit address. For example, port a (byte 5) bit 3 would have a value of $5*8+3$ or 43. This is a defined as

follows: `#define PIN_A3 43.`

Returns:	undefined
Function:	Toggles the high/low state of the specified pin.
Availability:	All devices.
Requires	Pin constants are defined in the devices .h file
Examples:	<code>output_toggle(PIN_B4);</code>
Example Files:	None
Also See:	<code>Input()</code> , <code>output_high()</code> , <code>output_low()</code> , <code>output_bit()</code> , <code>output_x()</code>

PERROR()

Syntax:	<code>perror(<i>string</i>);</code>
Parameters:	<i>string</i> is a constant string or array of characters (null terminated).
Returns:	Nothing
Function:	This function prints out to STDERR the supplied string and a description of the last system error (usually a math error).
Availability:	All devices.
Requires	<code>#use rs232, errno.h</code>
Examples:	<code>x = sin(y);</code> <code>if(errno!=0)</code> <code> perror("Problem in find_area");</code>
Example Files:	None

Also See: None

PORT_A_PULLUPS()

Syntax: `port_a_pullups (value)`

Parameters: *value* is TRUE or FALSE on most parts, some parts that allow pullups to be specified on individual pins permit an 8 bit int here, one bit for each port pin.

Returns: undefined

Function: Sets the port A input pullups. TRUE will activate, and a FALSE will deactivate.

Availability: Only 14 and 16 bit devices (PCM and PCH). (Note: use SETUP_COUNTERS on PCB parts).

Requires Nothing

Examples: `port_a_pullups (FALSE) ;`

Example Files: `ex_lcdkb.c` with `kbd.c`

Also See: `input()`, `input_x()`, `output_float()`

PORT_B_PULLUPS()

Syntax: `port_b_pullups (value)`

Parameters: *value* is TRUE or FALSE on most parts, some parts that allow pullups to be specified on individual pins permit an 8 bit int here, one bit for each port pin.

Returns: undefined

Function: Sets the port B input pullups. TRUE will activate, and a

FALSE will deactivate.

Availability:	Only 14 and 16 bit devices (PCM and PCH). (Note: use SETUP_COUNTERS on PCB parts).
Requires	Nothing
Examples:	<code>port_b_pullups (FALSE) ;</code>
Example Files:	ex_lcdkb.c with kbd.c
Also See:	input(), input_x(), output_float()

POW()

Syntax:	<code>f = pow (x,y)</code>
Parameters:	<code>x</code> and <code>y</code> and of type float
Returns:	A float
Function:	Calculates X to the Y power.

Note on error handling:

If "errno.h" is included then the domain and range errors are stored in the errno variable. The user can check the errno to see if an error has occurred and print the error using the perror function.

Range error occurs in the following case:

- pow: when the argument X is negative

Availability:	All Devices
Requires	<code>#include <math.h></code>
Examples:	<code>area = (size,3.0) ;</code>
Example Files:	None

Also See: None

POWER CONTROL PWM

Syntax: `setup_power_pwm(modes,postscale,time_base,period,compare,compare_postscale,dead_time)`

Parameters: *modes*: (or together one from each group)

 PWM_CLOCK_DIV_4
 PWM_CLOCK_DIV_16
 PWM_CLOCK_DIV_64
 PWM_CLOCK_DIV_128

 PWM_OFF
 PWM_FREE_RUN
 PWM_SINGLE_SHOT
 PWM_UP_DOWN
 PWM_UP_DOWN_INT

 PWM_OVERRIDE_SYNC

 PWM_UP_TRIGGER
 PWM_DOWN_TRIGGER

 PWM_UPDATE_DISABLE
 PWM_UPDATE_ENABLE

 PWM_DEAD_CLOCK_DIV_2
 PWM_DEAD_CLOCK_DIV_4
 PWM_DEAD_CLOCK_DIV_8
 PWM_DEAD_CLOCK_DIV_16

Returns: A float

Function: Calculates X to the Y power.

Note on error handling:

If "errno.h" is included then the domain and range errors are stored in the errno variable. The user can check the errno to see if an error has occurred and print the error using the perror function.

Range error occurs in the following case:

- pow: when the argument X is negative

Availability:	All Devices
Requires	#include <math.h>
Examples:	<code>area = (size,3.0);</code>
Example Files:	None
Also See:	None

PRINTF() FPRINTF()

Syntax:	<pre>printf (<i>string</i>) or printf (<i>cstring, values...</i>) or printf (<i>fname, cstring, values...</i>) fprintf (<i>stream, cstring, values...</i>)</pre>
Parameters:	<p><i>String</i> is a constant string or an array of characters null terminated. <i>Values</i> is a list of variables separated by commas, <i>fname</i> is a function name to be used for outputting (default is <code>putc</code> is none is specified). <i>Stream</i> is a stream identifier (a constant byte)</p>
Returns:	undefined
Function:	<p>Outputs a string of characters to either the standard RS-232 pins (first two forms) or to a specified function. Formatting is in accordance with the string argument. When variables are used this string must be a constant. The % character is used within the string to indicate a variable value is to be formatted and output. Longs in the printf may be 16 or 32 bit. A %% will output a single %. Formatting rules for the % follows.</p>

If `fprintf()` is used then the specified stream is used where `printf()` defaults to `STDOUT` (the last USE RS232).

Format:

The format takes the generic form `%wt` where `w` is optional and may be 1-9 to specify how many characters are to be outputted, or 01-09 to indicate leading zeros or 1.1 to 9.9 for floating point. `t` is the type and may be one of the following:

C	Character
S	String or character
U	Unsigned int
x	Hex int (lower case output)
X	Hex int (upper case output)
D	Signed int
e	Float in exp format
f	Float
Lx	Hex long int (lower case)
LX	Hex long int (upper case)
lu	unsigned decimal long
ld	signed decimal long
%	Just a %

Example formats:

Specifier	Value=0x12	Value=0xfe
%03u	018	254
%u	18	254
%2u	18	*
%5	18	254
%d	18	-2
%x	12	Fe
%X	12	FE
%4X	0012	00FE

* Result is undefined - Assume garbage.

Availability: All Devices

Requires #use rs232 (unless fname is used)

Examples:

```
byte x,y,z;
printf("HiThere");
printf("RTCCValue=>%2x\n\r",get_rtcc());
printf("%2u %X %4X\n\r",x,y,z);
printf(LCD_PUTC, "n=%u",n);
```

Example Files: ex_admm.c, ex_lcdkb.c

Also See: atoi(), puts(), putc(), getc() (for a stream example)

PSP_OUTPUT_FULL()

PSP_INPUT_FULL()

PSP_OVERFLOW()

Syntax:

```
result = psp_output_full()
result = psp_input_full()
result = psp_overflow()
```

Parameters: None

Returns: A 0 (FALSE) or 1 (TRUE)

Function: These functions check the Parallel Slave Port (PSP) for the indicated conditions and return TRUE or FALSE.

Availability: This function is only available on devices with PSP hardware on chips.

Requires Nothing

Examples:

```
while (psp_output_full()) ;
psp_data = command;
while(!psp_input_full()) ;
if ( psp_overflow() )
    error = TRUE;
else
    data = psp_data;
```

Example Files: ex_psp.c

Also See: setup_psp()

**PUTC()
PUTCHAR()
FPUTC()**

Syntax:	<code>putc (<i>cdata</i>) putchar (<i>cdata</i>) value = fputc(<i>cdata</i>, <i>stream</i>)</code>
Parameters:	<i>cdata</i> is a 8 bit character. <i>Stream</i> is a stream identifier (a constant byte)
Returns:	undefined
Function:	<p>This function sends a character over the RS232 XMIT pin. A #USE RS232 must appear before this call to determine the baud rate and pin used. The #USE RS232 remains in effect until another is encountered in the file.</p> <p>If fputc() is used then the specified stream is used where putc() defaults to STDOUT (the last USE RS232).</p>
Availability:	All devices
Requires	#use rs232
Examples:	<pre>putc('*'); for(i=0; i<10; i++) putc(buffer[i]); putc(13);</pre>
Example Files:	ex_tgetc.c
Also See:	getc(), printf(), #USE RS232

PUTS()**FPUTS()**

Syntax:	<code>puts (<i>string</i>). value = fputs (<i>string</i>, <i>stream</i>)</code>
Parameters:	<i>string</i> is a constant string or a character array (null-terminated). <i>Stream</i> is a stream identifier (a constant byte)
Returns:	undefined
Function:	<p>Sends each character in the string out the RS232 pin using PUTC(). After the string is sent a RETURN (13) and LINE-FEED (10) are sent. In general printf() is more useful than puts().</p> <p>If fputs() is used then the specified stream is used where puts() defaults to STDOUT (the last USE RS232)</p>
Availability:	All devices
Requires	<code>#use rs232</code>
Examples:	<pre>puts(" ----- "); puts(" HI "); puts(" ----- ");</pre>
Example Files:	None
Also See:	<code>printf()</code> , <code>gets()</code>

RAND()

Syntax:	<code>re=rand()</code>
Parameters:	None
Returns:	A pseudo-random integer.

Function: The rand function returns a sequence of pseudo-random integers in the range of 0 to RAND_MAX.

Availability: All devices

Requires `#include <STDLIB.H>`

Examples:

```
int I;  
I=rand();
```

Example Files: None

Also See: `srand()`

READ_ADC()

Syntax: `value = read_adc ([mode])`

Parameters: *mode* is an optional parameter. If used the values may be:
ADC_START_AND_READ (this is the default)
ADC_START_ONLY (starts the conversion and returns)
ADC_READ_ONLY (reads last conversion result)

Returns: Either a 8 or 16 bit int depending on #DEVICE ADC= directive.

- Function:** This function will read the digital value from the analog to digital converter. Calls to `setup_adc()`, `setup_adc_ports()` and `set_adc_channel()` should be made sometime before this function is called. The range of the return value depends on number of bits in the chips A/D converter and the setting in the `#DEVICE ADC=` directive as follows:
- | #DEVICE | 8 bit | 10 bit | 11 bit | 16 bit |
|---------|--------|--------|--------|--------|
| ADC=8 | 00-FF | 00-FF | 00-FF | 00-FF |
| ADC=10 | x | 0-3FF | x | x |
| ADC=11 | x | x | 0-7FF | x |
| ADC=16 | 0-FF00 | 0-FFC0 | 0-FFE0 | 0-FFFF |
- Note: x is not defined
- Availability:** This function is only available on devices with A/D hardware.
- Requires** `#include <STDLIB.H>`
- Examples:**
- ```

setup_adc(ADC_CLOCK_INTERNAL);
setup_adc_ports(ALL_ANALOG);
set_adc_channel(1);
while (input(PIN_B0)) {
 delay_ms(5000);
 value = read_adc();
 printf("A/D value = %2x\n\r", value);
}

read_adc(ADC_START_ONLY);
sleep();
value=read_adc(ADC_READ_ONLY);

```
- Example Files:** `ex_admm.c`, `ex_14kad.c`
- Also See:** `setup_adc()`, `set_adc_channel()`, `setup_adc_ports()`, `#DEVICE`

---

## READ\_BANK()

- Syntax:** `value = read_bank ( bank, offset )`
- Parameters:** *bank* is the physical RAM bank 1-3 (depending on the

device), *offset* is the offset into user RAM for that bank (starts at 0),

Returns: 8 bit int

Function: Read a data byte from the user RAM area of the specified memory bank. This function may be used on some devices where full RAM access by auto variables is not efficient. For example on the PIC16C57 chip setting the pointer size to 5 bits will generate the most efficient ROM code however auto variables can not be above 1Fh. Instead of going to 8 bit pointers you can save ROM by using this function to write to the hard to reach banks. In this case the bank may be 1-3 and the offset may be 0-15.

Availability: All devices but only useful on PCB parts with memory over 1Fh and PCM parts with memory over FFh.

Requires Nothing

Examples: 

```
// See write_bank example to see
// how we got the data
// Moves data from buffer to LCD
i=0;
do {
 c=read_bank(1,i++);
 if(c!=0x13)
 lcd_putc(c);
} while (c!=0x13);
```

Example Files: ex\_psp.c

Also See: write\_bank(), and the "Common Questions and Answers" section for more information.

---

## READ\_CALIBRATION()

Syntax: value = read\_calibration (*n*)

Parameters: *n* is an offset into calibration memory beginning at 0

|                |                                                                                                |
|----------------|------------------------------------------------------------------------------------------------|
| Returns:       | An 8 bit byte                                                                                  |
| Function:      | The <code>read_calibration</code> function reads location "n" of the 14000-calibration memory. |
| Availability:  | This function is only available on the PIC14000.                                               |
| Requires       | Nothing                                                                                        |
| Examples:      | <code>fin = read_calibration(16);</code>                                                       |
| Example Files: | <code>ex_14kad.c</code> with <code>14kcal.c</code>                                             |
| Also See:      | None                                                                                           |

---

## READ\_EEPROM()

|                |                                                                                                                 |
|----------------|-----------------------------------------------------------------------------------------------------------------|
| Syntax:        | <code>value = read_eeprom (<i>address</i>)</code>                                                               |
| Parameters:    | <i>address</i> is an 8 bit int                                                                                  |
| Returns:       | An 8 bit int                                                                                                    |
| Function:      | Reads a byte from the specified data EEPROM address. The address begins at 0 and the range depends on the part. |
| Availability:  | This command is only for parts with built-in EEPROMS                                                            |
| Requires       | Nothing                                                                                                         |
| Examples:      | <pre>#define LAST_VOLUME 10 volume = read_EEPROM (LAST_VOLUME);</pre>                                           |
| Example Files: | <code>ex_intee.c</code>                                                                                         |
| Also See:      | <code>write_eeprom()</code>                                                                                     |

---

## READ\_PROGRAM\_EEPROM()

|                |                                                                                                                               |
|----------------|-------------------------------------------------------------------------------------------------------------------------------|
| Syntax:        | value = read_program_eeprom ( <i>address</i> )                                                                                |
| Parameters:    | <i>address</i> is 16 bits on PCM parts and 32 bits on PCH parts. The least significant bit should always be 0 in PCH.         |
| Returns:       | 16 bits                                                                                                                       |
| Function:      | Reads data from the program memory.                                                                                           |
| Availability:  | Only devices that allow reads from program memory.                                                                            |
| Requires       | Nothing                                                                                                                       |
| Examples:      | <pre>checksum = 0; for(i=0;i&lt;8196;i++)     checksum^=read_program_eeprom(i); printf("Checksum is %2X\r\n",checksum);</pre> |
| Example Files: | None                                                                                                                          |
| Also See:      | write_program_eeprom(), write_eeprom(), read_eeprom()                                                                         |

---

## READ\_PROGRAM\_MEMORY() READ\_EXTERNAL\_MEMORY()

|             |                                                                                                                                                     |
|-------------|-----------------------------------------------------------------------------------------------------------------------------------------------------|
| Syntax:     | read_program_memory ( <i>address</i> , <i>dataptr</i> , <i>count</i> );<br>read_external_memory ( <i>address</i> , <i>dataptr</i> , <i>count</i> ); |
| Parameters: | <i>address</i> is 16 bits on PCM parts and 32 bits on PCH parts. <i>dataptr</i> is a pointer to one or more bytes. <i>count</i> is a 8 bit integer  |
| Returns:    | undefined                                                                                                                                           |

|                |                                                                                                                       |
|----------------|-----------------------------------------------------------------------------------------------------------------------|
| Function:      | Reads count bytes from program memory at address to RAM at dataptr. Both of these functions operate exactly the same. |
| Availability:  | Only devices that allow reads from program memory.                                                                    |
| Requires       | Nothing                                                                                                               |
| Examples:      | <pre>char buffer[64]; read_external_memory(0x40000, buffer, 64);</pre>                                                |
| Example Files: | None                                                                                                                  |
| Also See:      | write_program_memory()                                                                                                |

---

## REALLOC()

|             |                                                                                                                                                                                                                                                                                                                                                                                                                                                                                                                                                                                                                                                                                                                                                   |
|-------------|---------------------------------------------------------------------------------------------------------------------------------------------------------------------------------------------------------------------------------------------------------------------------------------------------------------------------------------------------------------------------------------------------------------------------------------------------------------------------------------------------------------------------------------------------------------------------------------------------------------------------------------------------------------------------------------------------------------------------------------------------|
| Syntax:     | realloc ( <i>ptr</i> , <i>size</i> )                                                                                                                                                                                                                                                                                                                                                                                                                                                                                                                                                                                                                                                                                                              |
| Parameters: | <i>ptr</i> is a null pointer or a pointer previously returned by calloc or malloc or realloc function, size is an integer representing the number of bytes to be allocated.                                                                                                                                                                                                                                                                                                                                                                                                                                                                                                                                                                       |
| Returns:    | A pointer to the possibly moved allocated memory, if any. Returns null otherwise.                                                                                                                                                                                                                                                                                                                                                                                                                                                                                                                                                                                                                                                                 |
| Function:   | The realloc function changes the size of the object pointed to by the ptr to the size specified by the size. The contents of the object shall be unchanged up to the lesser of new and old sizes. If the new size is larger the value of the newly allocated space is indeterminate. If ptr is a null pointer, the realloc function behaves like malloc function for the specified size. If the ptr does not match a pointer earlier returned by the calloc, malloc or realloc, or if the space has been deallocated by a call to free or realloc function, the behavior is undefined. If the space cannot be allocated, the object pointed to by ptr is unchanged. If size is zero and the ptr is not a null pointer, the object is to be freed. |

C Compiler Reference Manual  
Built-in Functions

Availability: All devices  
Requires: STDLIBM.H must be included

Examples: 

```
int * iptr;
iptr=malloc(10);
realloc(ptr,20)
// iptr will point to a block of memory of
// 20 bytes, if available.
```

Example Files: None

Also See: malloc(), free(), calloc()

---

## RESET\_CPU()

Syntax: reset\_cpu()

Parameters: None

Returns: This function never returns

Function: This is a general purpose device reset. It will jump to location 0 on PCB and PCM parts and also reset the registers to power-up state on the PIC18XXX.

Availability: All devices

Requires: Nothing

Examples: 

```
if (checksum!=0)
 reset_cpu();
```

Example Files: None

Also See: None

---

**RESTART\_CAUSE()**

|                |                                                                                                                                                                                                                                                                |
|----------------|----------------------------------------------------------------------------------------------------------------------------------------------------------------------------------------------------------------------------------------------------------------|
| Syntax:        | value = restart_cause()                                                                                                                                                                                                                                        |
| Parameters:    | None                                                                                                                                                                                                                                                           |
| Returns:       | A value indicating the cause of the last processor reset. The actual values are device dependent. See the device .h file for specific values for a specific device. Some example values are: WDT_FROM_SLEEP, WDT_TIMEOUT, MCLR_FROM_SLEEP and NORMAL_POWER_UP. |
| Function:      | This is a general purpose device reset. It will jump to location 0 on PCB and PCM parts and also reset the registers to power-up state on the PIC18XXX.                                                                                                        |
| Availability:  | All devices                                                                                                                                                                                                                                                    |
| Requires       | Constants are defined in the devices .h file.                                                                                                                                                                                                                  |
| Examples:      | <pre>switch ( restart_cause() ) {     case WDT_FROM_SLEEP:     case WDT_TIMEOUT:         handle_error(); }</pre>                                                                                                                                               |
| Example Files: | ex_wdt.c                                                                                                                                                                                                                                                       |
| Also See:      | restart_wdt(), reset_cpu()                                                                                                                                                                                                                                     |

---

**RESTART\_WDT()**

|             |               |
|-------------|---------------|
| Syntax:     | restart_wdt() |
| Parameters: | None          |
| Returns:    | undefined     |

**Function:** Restarts the watchdog timer. If the watchdog timer is enabled, this must be called periodically to prevent the processor from resetting.

The watchdog timer is used to cause a hardware reset if the software appears to be stuck.

The timer must be enabled, the timeout time set and software must periodically restart the timer. These are done differently on the PCB/PCM and PCH parts as follows:

|                | PCB/PCM       | PCH           |
|----------------|---------------|---------------|
| Enable/Disable | #fuses        | setup_wdt()   |
| Timeout time   | setup_wdt()   | #fuses        |
| restart        | restart_wdt() | restart_wdt() |

**Availability:** All devices

**Requires** #fuses

**Examples:**

```
#fuses WDT // PCB/PCM example
 // See setup_wdt for a PIC18 example
main() {
 setup_wdt(WDT_2304MS);
 while (TRUE) {
 restart_wdt();
 perform_activity();
 }
}
```

**Example Files:** ex\_wdt.c

**Also See:** #fuses, setup\_wdt()

---

## ROTATE\_LEFT()

**Syntax:** rotate\_left (*address*, *bytes*)

**Parameters:** *address* is a pointer to memory, *bytes* is a count of the number of bytes to work with.

**Returns:** undefined



|                |                                                                                                                                                                                                  |
|----------------|--------------------------------------------------------------------------------------------------------------------------------------------------------------------------------------------------|
| Function:      | Rotates a bit through an array or structure. The address may be an array identifier or an address to a byte or structure (such as &data). Bit 0 of the lowest BYTE in RAM is considered the LSB. |
| Availability:  | All devices                                                                                                                                                                                      |
| Requires       | Nothing                                                                                                                                                                                          |
| Examples:      | <pre>x = 0x86; rotate_left( &amp;x, 1); // x is now 0x0d</pre>                                                                                                                                   |
| Example Files: | None                                                                                                                                                                                             |
| Also See:      | rotate_right(), shift_left(), shift_right()                                                                                                                                                      |

---

## ROTATE\_RIGHT()

|               |                                                                                                                                                                                                  |
|---------------|--------------------------------------------------------------------------------------------------------------------------------------------------------------------------------------------------|
| Syntax:       | rotate_right ( <i>address</i> , <i>bytes</i> )                                                                                                                                                   |
| Parameters:   | <i>address</i> is a pointer to memory, <i>bytes</i> is a count of the number of bytes to work with.                                                                                              |
| Returns:      | undefined                                                                                                                                                                                        |
| Function:     | Rotates a bit through an array or structure. The address may be an array identifier or an address to a byte or structure (such as &data). Bit 0 of the lowest BYTE in RAM is considered the LSB. |
| Availability: | All devices                                                                                                                                                                                      |
| Requires      | Nothing                                                                                                                                                                                          |
| Examples:     | <pre>struct {     int cell_1 : 4;     int cell_2 : 4;     int cell_3 : 4;     int cell_4 : 4; } cells; rotate_right( &amp;cells, 2);</pre>                                                       |

```
rotate_right(&cells, 2);
rotate_right(&cells, 2);
rotate_right(&cells, 2);
// cell_1->4, 2->1, 3->2 and 4-> 3
```

Example Files: None

Also See: rotate\_left(), shift\_left(), shift\_right()

---

## SET\_ADC\_CHANNEL()

Syntax: set\_adc\_channel (*chan*)

Parameters: *chan* is the channel number to select. Channel numbers start at 0 and are labeled in the data sheet AN0, AN1

Returns: undefined

Function: Specifies the channel to use for the next READ\_ADC call. Be aware that you must wait a short time after changing the channel before you can get a valid read. The time varies depending on the impedance of the input source. In general 10us is good for most applications. You need not change the channel before every read if the channel does not change.

Availability: This function is only available on devices with A/D hardware.

Requires Nothing

Examples: 

```
set_adc_channel(2);
delay_us(10);
value = read_adc();
```

Example Files: ex\_admm.c

Also See: read\_adc(), setup\_adc(), setup\_adc\_ports()

---

**SET\_PWM1\_DUTY()**  
**SET\_PWM2\_DUTY()**  
**SET\_PWM3\_DUTY()**  
**SET\_PWM4\_DUTY()**  
**SET\_PWM5\_DUTY()**

Syntax:            set\_pwm1\_duty (*value*)  
                   set\_pwm2\_duty (*value*)  
                   set\_pwm3\_duty (*value*)  
                   set\_pwm4\_duty (*value*)  
                   set\_pwm5\_duty (*value*)

Parameters:        *value* may be an 8 or 16 bit constant or variable.

Returns:           undefined

Function:           Writes the 10-bit value to the PWM to set the duty. An 8-bit value may be used if the least significant bits are not required. If value is an 8 bit item it is shifted up with two zero bits in the lsb positions to get 10 bits. The 10 bit value is then used to determine the amount of time the PWM signal is high during each cycle as follows:

- $value * (1/clock) * t2div$

Where clock is oscillator frequency and t2div is the timer 2 prescaler (set in the call to setup\_timer2).

Availability:       This function is only available on devices with CCP/PWM hardware.

Requires           Nothing

Examples:           

```
// For a 20 mhz clock, 1.2 khz frequency,
// t2DIV set to 16
// the following sets the duty to 50% (or 416 us).

long duty;

duty = 520; // .000416/(16*(1/20000000))
set_pwm1_duty(duty);
```

Example Files:     ex\_pwm.c

Also See:                setup\_ccpX()

---

## SET\_POWER\_PWMX\_DUTY()

Syntax:                set\_power\_pwm*X*\_duty(*duty*)

Parameters:           *X* is 0, 2, 4, or 6  
*Duty* is an integer between 0 and 16383.

Returns:                undefined

Function:              Stores the value of **duty** into the appropriate PDCXL/H register. This **duty** value is the amount of time that the PWM output is in the active state.

Availability:         All devices equipped with PWM.

Requires               None

Examples:             set\_power\_pwm0\_duty(4000) ;

Example Files:        None

Also See:             setup\_power\_pwm(), setup\_power\_pwm\_pins(),  
                        set\_power\_pwm\_override()

---

## SET\_POWER\_PWM\_OVERRIDE()

Syntax:                set\_power\_pwm\_override(*pwm*, *override*, *value*)

Parameters:           *pwm* is a constant between 0 and 7  
*Override* is true or false  
*Value* is 0 or 1

Returns:                undefined

Function:              *pwm* selects which module will be affected. **override**

determines whether the output is to be determined by the OVDCONS register or the PDC registers. When **override** is false, the PDC registers determine the output. When **override** is true, the output is determined by the **value** stored in OVDCONS. When **value** is a 1, the PWM pin will be driven to its active state on the next duty cycle. If **value** is 0, the pin will be inactive.

|                |                                                                                                                                                             |
|----------------|-------------------------------------------------------------------------------------------------------------------------------------------------------------|
| Availability:  | All devices equipped with PWM.                                                                                                                              |
| Requires       | None                                                                                                                                                        |
| Examples:      | <pre>set_power_pwm_override(1, true, 1); //PWM1 will be overridden to active state set_power_pwm_override(1, false, 0); //PWM1 will not be overridden</pre> |
| Example Files: | None                                                                                                                                                        |
| Also See:      | <pre>setup_power_pwm(),          setup_power_pwm_pins(), set_power_pwmX_duty()</pre>                                                                        |

---

**SET\_RTCC()  
SET\_TIMER0()  
SET\_TIMER1()  
SET\_TIMER2()  
SET\_TIMER3()  
SET\_TIMER4()**

Syntax:            `set_timer0(value)`    or    `set_rtcc (value)`  
`set_timer1(value)`  
`set_timer2(value)`  
`set_timer3(value)`  
`set_timer4(value)`  
`set_timer5(value)`

Parameters:        Timers 1, 3, and 5 get a 16 bit int.  
Timers 2 and 4 get an 8 bit int.  
Timer 0 (AKA RTCC) gets an 8 bit int except on the PIC18XXX where it needs a 16 bit int.

Returns: undefined

Function: Sets the count value of a real time clock/counter. RTCC and Timer0 are the same. All timers count up. When a timer reaches the maximum value it will flip over to 0 and continue counting (254, 255, 0, 1, 2...)

Availability: Timer 0 - All devices  
Timers 1 & 2 - Most but not all PCM devices  
Timer 3 - Only PIC18XXX  
Timer 4 - Some PCH devices  
Timer 5 - Only PIC18XX31

Requires Nothing

Examples: 

```
// 20 mhz clock, no prescaler, set timer 0
// to overflow in 35us

set_timer0(81); // 256- (.000035/(4/20000000))
```

Example Files: ex\_patg.c

Also See: set\_timer1(), get\_timerX()

---

**SET\_TRIS\_A()**  
**SET\_TRIS\_B()**  
**SET\_TRIS\_C()**  
**SET\_TRIS\_D()**  
**SET\_TRIS\_E()**

Syntax: 

```
set_tris_a (value)
set_tris_b (value)
set_tris_c (value)
set_tris_d (value)
set_tris_e (value)
```

Parameters: *value* is an 8 bit int with each bit representing a bit of the I/O port.

|                |                                                                                                                                                                                                                                                                                                                                                                                                                                        |
|----------------|----------------------------------------------------------------------------------------------------------------------------------------------------------------------------------------------------------------------------------------------------------------------------------------------------------------------------------------------------------------------------------------------------------------------------------------|
| Returns:       | undefined                                                                                                                                                                                                                                                                                                                                                                                                                              |
| Function:      | <p>These functions allow the I/O port direction (TRI-State) registers to be set. This must be used with FAST_IO and when I/O ports are accessed as memory such as when a #BYTE directive is used to access an I/O port. Using the default standard I/O the built in functions set the I/O direction automatically.</p> <p>Each bit in the value represents one pin. A 1 indicates the pin is input and a 0 indicates it is output.</p> |
| Availability:  | All devices (however not all devices have all I/O ports)                                                                                                                                                                                                                                                                                                                                                                               |
| Requires       | Nothing                                                                                                                                                                                                                                                                                                                                                                                                                                |
| Examples:      | <pre>SET_TRIS_B( 0x0F ); // B7,B6,B5,B4 are outputs // B3,B2,B1,B0 are inputs</pre>                                                                                                                                                                                                                                                                                                                                                    |
| Example Files: | lcd.c                                                                                                                                                                                                                                                                                                                                                                                                                                  |
| Also See:      | #USE xxxx_IO                                                                                                                                                                                                                                                                                                                                                                                                                           |

---

## SET\_UART\_SPEED()

|             |                                                                                                                                                                                                      |
|-------------|------------------------------------------------------------------------------------------------------------------------------------------------------------------------------------------------------|
| Syntax:     | set_uart_speed ( <i>baud</i> , [ <i>stream</i> ])                                                                                                                                                    |
| Parameters: | <i>baud</i> is a constant 100-115200 representing the number of bits per second. <i>stream</i> is an optional stream identifier.                                                                     |
| Returns:    | undefined                                                                                                                                                                                            |
| Function:   | <p>Changes the baud rate of the built-in hardware RS232 serial port at run-time.</p> <p>Each bit in the value represents one pin. A 1 indicates the pin is input and a 0 indicates it is output.</p> |

Availability: This function is only available on devices with a built in UART.

Requires `#use rs232`

Examples:

```
// Set baud rate based on setting
// of pins B0 and B1

switch(input_b() & 3) {
 case 0 : set_uart_speed(2400); break;
 case 1 : set_uart_speed(4800); break;
 case 2 : set_uart_speed(9600); break;
 case 3 : set_uart_speed(19200); break;
}
```

Example Files: loader.c

Also See: `#USE RS232`, `putc()`, `getc()`

---

## SETUP\_ADC(mode)

Syntax: `setup_adc (mode);`

Parameters: **mode** - Analog to digital mode. The valid options vary depending on the device. See the devices .h file for all options. Some typical options include:

- `ADC_OFF`
- `ADC_CLOCK_INTERNAL`
- `ADC_CLOCK_DIV_32`

Returns: undefined

Function: Configures the analog to digital converter.

Availability: Only the devices with built in analog to digital converter.

Requires Constants are defined in the devices .h file.

Examples:

```
setup_adc_ports(ALL_ANALOG);
setup_adc(ADC_CLOCK_INTERNAL);
set_adc_channel(0);
```



```
value = read_adc();
setup_adc(ADC_OFF);
```

Example Files:       ex\_admm.c

Also See:            setup\_adc\_ports(),   set\_adc\_channel(),   read\_adc(),  
#device. The device .h file.

---

## SETUP\_ADC\_PORTS()

Syntax:             setup\_adc\_ports ( *value* )

Parameters:         *value* - a constant defined in the devices .h file

Returns:            undefined

Function:           Sets up the ADC pins to be analog, digital or a combination. The allowed combinations vary depending on the chip. The constants used are different for each chip as well. Check the device include file for a complete list. The constants ALL\_ANALOG and NO\_ANALOGS are valid for all chips. Some other example constants:  
ANALOG\_RA3\_REF- All analog and RA3 is the reference  
RA0\_RA1\_RA3\_ANALOG- Just RA0, RA1 and RA3 are analog

Availability:       This function is only available on devices with A/D hardware.

Requires            Constants are defined in the devices .h file.

Examples:           

```
// All pins analog (that can be)
setup_adc_ports(ALL_ANALOG);

// Pins A0, A1 and A3 are analog and all others
// are digital. The +5v is used as a reference.
setup_adc_ports(RA0_RA1_RA3_ANALOG);

// Pins A0 and A1 are analog. Pin RA3 is used
```

```
// for the reference voltage and all other pins
// are digital.
setup_adc_ports(A0_RA1_ANALOGRA3_REF);
```

Example Files:       ex\_admm.c

Also See:            setup\_adc(), read\_adc(), set\_adc\_channel()

---

**SETUP\_CCP1()**  
**SETUP\_CCP2()**  
**SETUP\_CCP3()**  
**SETUP\_CCP4()**  
**SETUP\_CCP5()**

Syntax:             setup\_ccp1 (*mode*)  
                      setup\_ccp2 (*mode*)  
                      setup\_ccp3 (*mode*)  
                      setup\_ccp4 (*mode*)  
                      setup\_ccp5 (*mode*)

Parameters:         *mode* is a constant. Valid constants are in the devices  
                      .h file and are as follows:

Disable the CCP:  
CCP\_OFF

Set CCP to capture mode:

|                    |                         |
|--------------------|-------------------------|
| CCP_CAPTURE_FE     | Capture on falling edge |
| CCP_CAPTURE_RE     | Capture on rising edge  |
| CCP_CAPTURE_DIV_4  | Capture after 4 pulses  |
| CCP_CAPTURE_DIV_16 | Capture after 16 pulses |

Set CCP to compare mode:

|                          |                        |
|--------------------------|------------------------|
| CCP_COMPARE_SET_ON_MATCH | Output high on compare |
| CCP_COMPARE_CLR_ON_MATCH | Output low on compare  |
| CCP_COMPARE_INT          | interrupt on compare   |
| CCP_COMPARE_RESET_TIMER  | Reset timer on compare |

Set CCP to PWM mode:

|         |                              |
|---------|------------------------------|
| CCP_PWM | Enable Pulse Width Modulator |
|---------|------------------------------|

Returns:            undefined

|                |                                                                                                                                                                                                                                                                                                                                                                                                                                                      |
|----------------|------------------------------------------------------------------------------------------------------------------------------------------------------------------------------------------------------------------------------------------------------------------------------------------------------------------------------------------------------------------------------------------------------------------------------------------------------|
| Function:      | Initialize the CCP. The CCP counters may be accessed using the long variables CCP_1 and CCP_2. The CCP operates in 3 modes. In capture mode it will copy the timer 1 count value to CCP_x when the input pin event occurs. In compare mode it will trigger an action when timer 1 and CCP_x are equal. In PWM mode it will generate a square wave. The PCW wizard will help to set the correct mode and timer settings for a particular application. |
| Availability:  | This function is only available on devices with CCP hardware.                                                                                                                                                                                                                                                                                                                                                                                        |
| Requires       | Constants are defined in the devices .h file.                                                                                                                                                                                                                                                                                                                                                                                                        |
| Examples:      | <code>setup_ccp1(CCP_CAPTURE_RE);</code>                                                                                                                                                                                                                                                                                                                                                                                                             |
| Example Files: | <code>ex_pwm.c, ex_ccmp.c, ex_ccp1s.c</code>                                                                                                                                                                                                                                                                                                                                                                                                         |
| Also See:      | <code>set_pwmX_duty()</code>                                                                                                                                                                                                                                                                                                                                                                                                                         |

---

## SETUP\_COMPARATOR()

|             |                                                                                                                                                                                                                                |
|-------------|--------------------------------------------------------------------------------------------------------------------------------------------------------------------------------------------------------------------------------|
| Syntax:     | <code>setup_comparator (<i>mode</i>)</code>                                                                                                                                                                                    |
| Parameters: | <i>mode</i> is a constant. Valid constants are in the devices .h file and are as follows:<br>A0_A3_A1_A2<br>A0_A2_A1_A2<br>NC_NC_A1_A2<br>NC_NC_NC_NC<br>A0_VR_A1_VR<br>A3_VR_A2_VR<br>A0_A2_A1_A2_OUT_ON_A3_A4<br>A3_A2_A1_A2 |
| Returns:    | undefined                                                                                                                                                                                                                      |
| Function:   | Sets the analog comparator module. The above                                                                                                                                                                                   |

constants have four parts representing the inputs: C1-, C1+, C2-, C2+

Availability: This function is only available on devices with an analog comparator.

Requires Constants are defined in the devices .h file.

Examples: 

```
// Sets up two independent comparators (C1 and C2),
// C1 uses A0 and A3 as inputs (- and +), and C2
// uses A1 and A2 as inputs
setup_comparator(A0_A3_A1_A2);
```

Example Files: ex\_comp.c

Also See: None

---

## SETUP\_COUNTERS()

Syntax: `setup_counters (rtcc_state, ps_state)`

Parameters: ***rtcc\_state*** may be one of the constants defined in the devices .h file. For example: RTCC\_INTERNAL, RTCC\_EXT\_L\_TO\_H or RTCC\_EXT\_H\_TO\_L

***ps\_state*** may be one of the constants defined in the devices .h file.

For example: RTCC\_DIV\_2, RTCC\_DIV\_4,  
RTCC\_DIV\_8, RTCC\_DIV\_16, RTCC\_DIV\_32,  
RTCC\_DIV\_64, RTCC\_DIV\_128, RTCC\_DIV\_256,  
WDT\_18MS, WDT\_36MS, WDT\_72MS, WDT\_144MS,  
WDT\_288MS, WDT\_576MS, WDT\_1152MS,  
WDT\_2304MS

Returns: undefined

Function: Sets up the RTCC or WDT. The *rtcc\_state* determines what drives the RTCC. The PS state sets a prescaler for either the RTCC or WDT. The prescaler will

lengthen the cycle of the indicated counter. If the RTCC prescaler is set the WDT will be set to WDT\_18MS. If the WDT prescaler is set the RTCC is set to RTCC\_DIV\_1.

This function is provided for compatibility with older versions. `setup_timer_0` and `setup_WDT` are the recommended replacements when possible. For PCB devices if an external RTCC clock is used and a WDT prescaler is used then this function must be used.

|                |                                                                           |
|----------------|---------------------------------------------------------------------------|
| Availability:  | All devices                                                               |
| Requires       | Constants are defined in the devices .h file.                             |
| Examples:      | <code>setup_counters (RTCC_INTERNAL, WDT_2304MS);</code>                  |
| Example Files: | None                                                                      |
| Also See:      | <code>setup_wdt()</code> , <code>setup_timer_0()</code> , devices .h file |

---

## SETUP\_EXTERNAL\_MEMORY()

|                |                                                                                                                                                   |
|----------------|---------------------------------------------------------------------------------------------------------------------------------------------------|
| Syntax:        | <code>setup_external_memory( <i>mode</i> );</code>                                                                                                |
| Parameters:    | <i>mode</i> is one or more constants from the device header file OR'ed together.                                                                  |
| Returns:       | undefined                                                                                                                                         |
| Function:      | Sets the mode of the external memory bus.                                                                                                         |
| Availability:  | Only devices that allow external memory.                                                                                                          |
| Requires       | Device .h file.                                                                                                                                   |
| Examples:      | <code>setup_external_memory (EXTMEM_WORD_WRITE<br/>                           EXTMEM_WAIT_0 );<br/>setup_external_memory (EXTMEM_DISABLE);</code> |
| Example Files: | None                                                                                                                                              |

Also See: `write_program_eeprom()`, `write_program_memory()`

---

## SETUP\_LCD()

Syntax: `setup_lcd (mode, prescale, segments);`

Parameters: ***Mode*** may be one of these constants from the devices .h file:  
`LCD_DISABLED`, `LCD_STATIC`,  
`LCD_MUX12`, `LCD_MUX13`, `LCD_MUX14`

The following may be or'ed (via `|`) with any of the above:  
`STOP_ON_SLEEP`, `USE_TIMER_1`

***Prescale*** may be 0-15 for the LCD clock segments may be any of the following constants or'ed together:  
`SEGO_4`, `SEG5_8`, `SEG9_11`, `SEG12_15`, `SEG16_19`,  
`SEGO_28`, `SEG29_31`, `ALL_LCD_PINS`

Returns: undefined

Function: This function is used to initialize the 923/924 LCD controller.

Availability: Only devices with built in LCD drive hardware.

Requires Constants are defined in the devices .h file.

Examples: 

```
setup_lcd(LCD_MUX14|STOP_ON_SLEEP,2,
 ALL_LCD_PINS);
```

Example Files: `ex_92lcd.c`

Also See: `lcd_symbol()`, `lcd_load()`

---

## SETUP\_OSCILLATOR()

|                |                                                                                                                                                                                                                                                                                                                                                                                                                                                                                                                                                                                                                                                                                                                                                                               |
|----------------|-------------------------------------------------------------------------------------------------------------------------------------------------------------------------------------------------------------------------------------------------------------------------------------------------------------------------------------------------------------------------------------------------------------------------------------------------------------------------------------------------------------------------------------------------------------------------------------------------------------------------------------------------------------------------------------------------------------------------------------------------------------------------------|
| Syntax:        | <code>setup_oscillator(<i>mode</i>, <i>finetune</i>)</code>                                                                                                                                                                                                                                                                                                                                                                                                                                                                                                                                                                                                                                                                                                                   |
| Parameters:    | <p><i>mode</i> is dependent on the chip. For example, some chips allow speed setting such as <code>OSC_8MHZ</code> or <code>OSC_32KHZ</code>. Other chips permit changing the source like <code>OSC_TIMER1</code>.</p> <p>The <i>finetune</i> (only allowed on certain parts) is a signed int with a range of -31 to +31.</p>                                                                                                                                                                                                                                                                                                                                                                                                                                                 |
| Returns:       | Some chips return a state such as <code>OSC_STATE_STABLE</code> to indicate the oscillator is stable.                                                                                                                                                                                                                                                                                                                                                                                                                                                                                                                                                                                                                                                                         |
| Function:      | <p>This function controls and returns the state of the internal RC oscillator on some parts. See the devices .h file for valid options for a particular device.</p> <p>Note that if <code>INTRC</code> or <code>INTRC_IO</code> is specified in <code>#fuses</code> and a <code>#USE DELAY</code> is used for a valid speed option, then the compiler will do this setup automatically at the start of <code>main()</code>.</p> <p>WARNING: If the speed is changed at run time the compiler may not generate the correct delays for some built in functions. The last <code>#USE DELAY</code> encountered in the file is always assumed to be the correct speed. You can have multiple <code>#USE DELAY</code> lines to control the compilers knowledge about the speed.</p> |
| Availability:  | Only parts with a <code>OSCCON</code> register.                                                                                                                                                                                                                                                                                                                                                                                                                                                                                                                                                                                                                                                                                                                               |
| Requires       | Constants are defined in the .h file.                                                                                                                                                                                                                                                                                                                                                                                                                                                                                                                                                                                                                                                                                                                                         |
| Examples:      | <code>setup_oscillator( OSC_2MHZ );</code>                                                                                                                                                                                                                                                                                                                                                                                                                                                                                                                                                                                                                                                                                                                                    |
| Example Files: | None                                                                                                                                                                                                                                                                                                                                                                                                                                                                                                                                                                                                                                                                                                                                                                          |
| Also See:      | <code>#fuses</code>                                                                                                                                                                                                                                                                                                                                                                                                                                                                                                                                                                                                                                                                                                                                                           |

---

## SETUP\_POWER\_PWM()

Syntax:                    `setup_power_pwm(modes, postscale, time_base,  
period, compare, compare_postscale, dead_time)`

Parameters:                *modes* values may be up to one from each group of the  
following:

PWM\_CLOCK\_DIV\_4, PWM\_CLOCK\_DIV\_16,  
PWM\_CLOCK\_DIV\_64, PWM\_CLOCK\_DIV\_128

PWM\_OFF, PWM\_FREE\_RUN, PWM\_SINGLE\_SHOT,  
PWM\_UP\_DOWN, PWM\_UP\_DOWN\_INT

PWM\_OVERRIDE\_SYNC

PWM\_UP\_TRIGGER, PWM\_DOWN\_TRIGGER

PWM\_UPDATE\_DISABLE, PWM\_UPDATE\_ENABLE

PWM\_DEAD\_CLOCK\_DIV\_2,  
PWM\_DEAD\_CLOCK\_DIV\_4,  
PWM\_DEAD\_CLOCK\_DIV\_8,  
PWM\_DEAD\_CLOCK\_DIV\_16

*postscale* is an integer between 1 and 16. This value  
sets the PWM time base output postscale.

*time\_base* is an integer between 0 and 65535. This is  
the initial value of the PWM base timer.

*period* is an integer between 0 and 4095. The PWM  
time base is incremented until it reaches this number.

*compare* is an integer between 0 and 255. This is the  
value that the PWM time base is compared to, to  
determine if a special event should be triggered.

*compare\_postscale* is an integer between 1 and 16.  
This postscaler affects compare, the special events  
trigger.

*dead\_time* is an integer between 0 and 15. This value  
specifies the length of an off period that should be



inserted between the going off of a pin and the going on of it's complementary pin.

|                |                                                                                                                  |
|----------------|------------------------------------------------------------------------------------------------------------------|
| Returns:       | undefined                                                                                                        |
| Function:      | Initializes and configures the Pulse Width Modulation (PWM) device.                                              |
| Availability:  | All devices equipped with PWM.                                                                                   |
| Requires       | None                                                                                                             |
| Examples:      | <pre>setup_power_pwm(PWM_CLOCK_DIV_4   PWM_FREE_RUN     PWM_DEAD_CLOCK_DIV_4, 1, 10000, 1000, 0, 1, 0);</pre>    |
| Example Files: | None                                                                                                             |
| Also See:      | <code>set_power_pwm_override()</code> , <code>setup_power_pwm_pins()</code> , <code>set_power_pwmX_duty()</code> |

---

## SETUP\_POWER\_PWM\_PINS()

|               |                                                                                                                |
|---------------|----------------------------------------------------------------------------------------------------------------|
| Syntax:       | <code>setup_power_pwm_pins(module0,module1,module2,module3)</code>                                             |
| Parameters:   | For each module (two pins) specify:<br>PWM_OFF, PWM_ODD_ON, PWM_BOTH_ON,<br>PWM_COMPLEMENTARY                  |
| Returns:      | undefined                                                                                                      |
| Function:     | Configures the pins of the Pulse Width Modulation (PWM) device.                                                |
| Availability: | All devices equipped with PWM.                                                                                 |
| Requires      | None                                                                                                           |
| Examples:     | <pre>setup_power_pwm_pins(PWM_OFF, PWM_OFF, PWM_OFF,   PWM_OFF); setup_power_pwm_pins(PWM_COMPLEMENTARY,</pre> |

```
PWM_COMPLEMENTARY, PWM_OFF, PWM_OFF);
```

Example Files: None

Also See: `setup_power_pwm()`, `set_power_pwm_override()`,  
`set_power_pwmX_duty()`

---

## SETUP\_PSP()

Syntax: `setup_psp (mode)`

Parameters: *mode* may be:  
PSP\_ENABLED  
PSP\_DISABLED

Returns: undefined

Function: Initializes the Parallel Slave Port (PSP). The `SET_TRIS_E(value)` function may be used to set the data direction. The data may be read and written to using the variable `PSP_DATA`.

Availability: This function is only available on devices with PSP hardware.

Requires Constants are defined in the devices .h file.

Examples: `setup_psp (PSP_ENABLED);`

Example Files: `ex_psp.c`

Also See: `set_tris_e()`

---

**SETUP\_SPI()**

|                |                                                                                                                                                                                                                    |
|----------------|--------------------------------------------------------------------------------------------------------------------------------------------------------------------------------------------------------------------|
| Syntax:        | <code>setup_spi (<i>mode</i>)</code>                                                                                                                                                                               |
| Parameters:    | <i>mode</i> may be:<br>SPI_MASTER, SPI_SLAVE, SPI_SS_DISABLED<br>SPI_L_TO_H, SPI_H_TO_L<br>SPI_CLK_DIV_4, SPI_CLK_DIV_16,<br>SPI_CLK_DIV_64, SPI_CLK_T2<br>Constants from each group may be or'ed together with  . |
| Returns:       | undefined                                                                                                                                                                                                          |
| Function:      | Initializes the Serial Port Interface (SPI). This is used for 2 or 3 wire serial devices that follow a common clock/data protocol.                                                                                 |
| Availability:  | This function is only available on devices with SPI hardware.                                                                                                                                                      |
| Requires       | Constants are defined in the devices .h file.                                                                                                                                                                      |
| Examples:      | <pre>setup_spi (spi_master  spi_l_to_h              spi_clk_div_16 );</pre>                                                                                                                                        |
| Example Files: | ex_spi.c                                                                                                                                                                                                           |
| Also See:      | spi_write(), spi_read(), spi_data_is_in()                                                                                                                                                                          |

---

**SETUP\_TIMER\_0()**

|             |                                                                                                                                                                                                                          |
|-------------|--------------------------------------------------------------------------------------------------------------------------------------------------------------------------------------------------------------------------|
| Syntax:     | <code>setup_timer_0 (<i>mode</i>)</code>                                                                                                                                                                                 |
| Parameters: | <i>mode</i> may be one or two of the constants defined in the devices .h file. RTCC_INTERNAL,<br>RTCC_EXT_L_TO_H or RTCC_EXT_H_TO_L<br><br>RTCC_DIV_2, RTCC_DIV_4, RTCC_DIV_8,<br>RTCC_DIV_16, RTCC_DIV_32, RTCC_DIV_64, |

RTCC\_DIV\_128, RTCC\_DIV\_256

PIC18XXX only: RTCC\_OFF, RTCC\_8\_BIT

One constant may be used from each group or'ed together with the | operator.

Returns: undefined

Function: Sets up the timer 0 (aka RTCC).

Availability: All devices.

Requires Constants are defined in the devices .h file.

Examples: `setup_timer_0 (RTCC_DIV_2|RTCC_EXT_L_TO_H);`

Example Files: `ex_stwt.c`

Also See: `get_timer0(), set_timer0(), setup_counters()`

---

## SETUP\_TIMER\_1()

Syntax: `setup_timer_1 (mode)`

Parameters: *mode* values may be:  
T1\_DISABLED, T1\_INTERNAL, T1\_EXTERNAL,  
T1\_EXTERNAL\_SYNC  
T1\_CLK\_OUT  
T1\_DIV\_BY\_1, T1\_DIV\_BY\_2, T1\_DIV\_BY\_4,  
T1\_DIV\_BY\_8  
constants from different groups may be or'ed together with |.

Returns: undefined

Function: Initializes timer 1. The timer value may be read and written to using SET\_TIMER1() and GET\_TIMER1()

Timer 1 is a 16 bit timer. With an internal clock at

20mhz and with the T1\_DIV\_BY\_8 mode, the timer will increment every 1.6us. It will overflow every 104.8576ms.

|                |                                                                                                                                     |
|----------------|-------------------------------------------------------------------------------------------------------------------------------------|
| Availability:  | This function is only available on devices with timer 1 hardware.                                                                   |
| Requires       | Constants are defined in the devices .h file.                                                                                       |
| Examples:      | <pre>setup_timer_1 ( T1_DISABLED ); setup_timer_1 ( T1_INTERNAL   T1_DIV_BY_4 ); setup_timer_1 ( T1_INTERVAL   T1_DIV_BY_8 );</pre> |
| Example Files: | ex_patg.c                                                                                                                           |
| Also See:      | get_timer1()                                                                                                                        |

---

## SETUP\_TIMER\_2()

|               |                                                                                                                                                                                                                                                                                                                                 |
|---------------|---------------------------------------------------------------------------------------------------------------------------------------------------------------------------------------------------------------------------------------------------------------------------------------------------------------------------------|
| Syntax:       | setup_timer_2 ( <i>mode</i> , <i>period</i> , <i>postscale</i> )                                                                                                                                                                                                                                                                |
| Parameters:   | <p><i>mode</i> may be one of:<br/>T2_DISABLED, T2_DIV_BY_1, T2_DIV_BY_4,<br/>T2_DIV_BY_16</p> <p><i>period</i> is a int 0-255 that determines when the clock value is reset,</p> <p><i>postscale</i> is a number 1-16 that determines how many timer resets before an interrupt: (1 means one reset, 2 means 2, and so on).</p> |
| Returns:      | undefined                                                                                                                                                                                                                                                                                                                       |
| Function:     | Initializes timer 2. The mode specifies the clock divisor (from the oscillator clock). The timer value may be read and written to using GET_TIMER2() and SET_TIMER2(). Timer 2 is a 8 bit counter/timer.                                                                                                                        |
| Availability: | This function is only available on devices with timer 2                                                                                                                                                                                                                                                                         |

hardware.

Requires Constants are defined in the devices .h file.

Examples: 

```
setup_timer_2 (T2_DIV_BY_4, 0xc0, 2);
// At 20mhz, the timer will include every 800ns,
// will overflow every 154.4us,
// and will interrupt every 308.8us.
```

Example Files: ex\_pwm.c

Also See: get\_timer2(), set\_timer2()

---

### SETUP\_TIMER\_3()

Syntax: setup\_timer\_3 (*mode*)

Parameters: **Mode** may be one of the following constants from each group or'ed (via |) together:  
T3\_DISABLED, T3\_INTERNAL, T3\_EXTERNAL,  
T3\_EXTERNAL\_SYNC  
T3\_DIV\_BY\_1, T3\_DIV\_BY\_2, T3\_DIV\_BY\_4,  
T3\_DIV\_BY\_8

Returns: undefined

Function: Initializes timer 3 or 4. The mode specifies the clock divisor (from the oscillator clock). The timer value may be read and written to using GET\_TIMER3() and SET\_TIMER3(). Timer 3 is a 16 bit counter/timer.

Availability: This function is only available on PIC®18 devices.

Requires Constants are defined in the devices .h file.

Examples: 

```
setup_timer_3 (T3_INTERNAL | T3_DIV_BY_2);
```

Example Files: None

Also See: get\_timer3(), set\_timer3()

---

**SETUP\_TIMER\_4()**

|                |                                                                                                                                                                                                           |
|----------------|-----------------------------------------------------------------------------------------------------------------------------------------------------------------------------------------------------------|
| Syntax:        | <code>setup_timer_4 (<i>mode</i>)</code>                                                                                                                                                                  |
| Parameters:    | <i>mode</i> may be one or two of the constants defined in the devices .h file.<br>T4_DISABLED, T4_DIV_BY_1, T4_DIV_BY_4,<br>T4_DIV_BY_16                                                                  |
| Returns:       | undefined                                                                                                                                                                                                 |
| Function:      | Initializes timer 4. The mode specifies the clock divisor (from the oscillator clock). The timer value may be read and written to using GET_TIMER4() and SET_TIMER4(). Timer 4 is an 8 bit counter/timer. |
| Availability:  | This function is only available on some PCH devices.                                                                                                                                                      |
| Requires       | Constants are defined in the devices .h file.                                                                                                                                                             |
| Examples:      | <code>setup_timer_4 (T4_DIV_BY_4)</code>                                                                                                                                                                  |
| Example Files: | None                                                                                                                                                                                                      |
| Also See:      | <code>get_timer4()</code> , <code>set_timer4()</code>                                                                                                                                                     |

---

## SETUP\_TIMER\_5()

|                |                                                                                                                                                                                                                                                                           |
|----------------|---------------------------------------------------------------------------------------------------------------------------------------------------------------------------------------------------------------------------------------------------------------------------|
| Syntax:        | <code>setup_timer_5 (<i>mode</i>)</code>                                                                                                                                                                                                                                  |
| Parameters:    | <i>mode</i> may be one or two of the constants defined in the devices .h file.<br>T5_DISABLED, T5_INTERNAL, T5_EXTERNAL, or T5_EXTERNAL_SYNC<br><br>T5_DIV_BY_1, T5_DIV_BY_2, T5_DIV_BY_4, T5_DIV_BY_8<br><br>T5_ONE_SHOT, T5_DISABLE_SE_RESET, or T5_ENABLE_DURING_SLEEP |
| Returns:       | undefined                                                                                                                                                                                                                                                                 |
| Function:      | Initializes timer 5. The mode specifies the clock divisor (from the oscillator clock). The timer value may be read and written to using GET_TIMER5() and SET_TIMER5(). Timer 5 is a 16 bit counter/timer.                                                                 |
| Availability:  | This function is only available on PIC18XX31 devices.                                                                                                                                                                                                                     |
| Requires       | Constants are defined in the devices .h file.                                                                                                                                                                                                                             |
| Examples:      | <code>setup_timer_5 (T5_INTERNAL   T5_DIV_BY_2)</code>                                                                                                                                                                                                                    |
| Example Files: | None                                                                                                                                                                                                                                                                      |
| Also See:      | get_timer5(), set_timer5()                                                                                                                                                                                                                                                |

---

## SETUP\_UART()

|             |                                                                                                                                                                          |
|-------------|--------------------------------------------------------------------------------------------------------------------------------------------------------------------------|
| Syntax:     | <code>setup_uart(<i>baud</i>, <i>stream</i>)</code><br><code>setup_uart(<i>baud</i>)</code>                                                                              |
| Parameters: | <i>baud</i> is a constant representing the number of bits per second. A one or zero may also be passed to control the on/off status. <i>Stream</i> is an optional stream |



identifier.

*Chips with the advanced UART may also use the following constants:*

UART\_ADDRESS      UART only accepts data with 9<sup>th</sup> bit=1

UART\_DATA      UART accepts all data

*Chips with the EUART H/W may use the following constants:*

UART\_AUTODETECT   Waits for 0x55 character and sets the UART baud rate to match.

UART\_AUTODETECT\_NOWAIT   Same as above function, except returns before 0x55 is received. KBHIT() will be true when the match is made. A call to GETC() will clear the character.

UART\_WAKEUP\_ON\_RDA   Wakes PIC up out of sleep when RCV goes from high to low

|                |                                                                                                                                                                                                              |
|----------------|--------------------------------------------------------------------------------------------------------------------------------------------------------------------------------------------------------------|
| Returns:       | undefined                                                                                                                                                                                                    |
| Function:      | Very similar to SET_UART_SPEED. If 1 is passed as a parameter, the UART is turned on, and if 0 is passed, UART is turned off. If a BAUD rate is passed to it, the UART is also turned on, if not already on. |
| Availability:  | This function is only available on devices with a built in UART.                                                                                                                                             |
| Requires       | #use rs232                                                                                                                                                                                                   |
| Examples:      | <pre>setup_uart(9600); setup_uart(9600, rsOut);</pre>                                                                                                                                                        |
| Example Files: | None                                                                                                                                                                                                         |
| Also See:      | #USE RS232, putc(), getc()                                                                                                                                                                                   |

---

## SETUP\_VREF()

Syntax: `setup_vref (mode | value)`

Parameters: *mode* may be one of the following constants:  
FALSE (off)  
VREF\_LOW for  $VDD * VALUE / 24$   
VREF\_HIGH for  $VDD * VALUE / 32 + VDD / 4$   
any may be or'ed with VREF\_A2.  
*value* is an int 0-15.

Returns: undefined

Function: Establishes the voltage of the internal reference that may be used for analog compares and/or for output on pin A2.

Availability: This function is only available on devices with VREF hardware.

Requires Constants are defined in the devices .h file.

Examples: 

```
setup_vref (VREF_HIGH | 6);
// At VDD=5, the voltage is 2.19V
```

Example Files: `ex_comp.c`

Also See: None

---

## SETUP\_WDT()

Syntax: `setup_wdt (mode)`

Parameters: For PCB/PCM parts: WDT\_18MS, WDT\_36MS,  
WDT\_72MS, WDT\_144MS, WDT\_288MS,  
WDT\_576MS, WDT\_1152MS, WDT\_2304MS  
For PIC@18 parts: WDT\_ON, WDT\_OFF

Returns: undefined

| Function:      | Sets up the watchdog timer.                                                                                                                                                                                                                                                                                                   |               |         |     |                |        |             |              |             |        |         |               |               |
|----------------|-------------------------------------------------------------------------------------------------------------------------------------------------------------------------------------------------------------------------------------------------------------------------------------------------------------------------------|---------------|---------|-----|----------------|--------|-------------|--------------|-------------|--------|---------|---------------|---------------|
|                | The watchdog timer is used to cause a hardware reset if the software appears to be stuck.                                                                                                                                                                                                                                     |               |         |     |                |        |             |              |             |        |         |               |               |
|                | The timer must be enabled, the timeout time set and software must periodically restart the timer. These are done differently on the PCB/PCM and PCH parts as follows:                                                                                                                                                         |               |         |     |                |        |             |              |             |        |         |               |               |
|                | <table> <thead> <tr> <th></th> <th>PCB/PCM</th> <th>PCH</th> </tr> </thead> <tbody> <tr> <td>Enable/Disable</td> <td>#fuses</td> <td>setup_wdt()</td> </tr> <tr> <td>Timeout time</td> <td>setup_wdt()</td> <td>#fuses</td> </tr> <tr> <td>restart</td> <td>restart_wdt()</td> <td>restart_wdt()</td> </tr> </tbody> </table> |               | PCB/PCM | PCH | Enable/Disable | #fuses | setup_wdt() | Timeout time | setup_wdt() | #fuses | restart | restart_wdt() | restart_wdt() |
|                | PCB/PCM                                                                                                                                                                                                                                                                                                                       | PCH           |         |     |                |        |             |              |             |        |         |               |               |
| Enable/Disable | #fuses                                                                                                                                                                                                                                                                                                                        | setup_wdt()   |         |     |                |        |             |              |             |        |         |               |               |
| Timeout time   | setup_wdt()                                                                                                                                                                                                                                                                                                                   | #fuses        |         |     |                |        |             |              |             |        |         |               |               |
| restart        | restart_wdt()                                                                                                                                                                                                                                                                                                                 | restart_wdt() |         |     |                |        |             |              |             |        |         |               |               |
| Availability:  | All devices                                                                                                                                                                                                                                                                                                                   |               |         |     |                |        |             |              |             |        |         |               |               |
| Requires       | #fuses, Constants are defined in the devices .h file.                                                                                                                                                                                                                                                                         |               |         |     |                |        |             |              |             |        |         |               |               |
| Examples:      | <pre>#fuses WDT_18MS // PIC18 example, See                 // restart_wdt for a PIC18 example main() {     setup_wdt(WDT_ON);     while (TRUE) {         restart_wdt();         perform_activity();     } }</pre>                                                                                                             |               |         |     |                |        |             |              |             |        |         |               |               |
| Example Files: | ex_wdt.c                                                                                                                                                                                                                                                                                                                      |               |         |     |                |        |             |              |             |        |         |               |               |
| Also See:      | #fuses, restart_wdt()                                                                                                                                                                                                                                                                                                         |               |         |     |                |        |             |              |             |        |         |               |               |

---

## SHIFT\_LEFT()

|             |                                                                                                                                                |
|-------------|------------------------------------------------------------------------------------------------------------------------------------------------|
| Syntax:     | shift_left ( <i>address</i> , <i>bytes</i> , <i>value</i> )                                                                                    |
| Parameters: | <i>address</i> is a pointer to memory, <i>bytes</i> is a count of the number of bytes to work with, <i>value</i> is a 0 to 1 to be shifted in. |
| Returns:    | 0 or 1 for the bit shifted out                                                                                                                 |

|                |                                                                                                                                                                                                                                                                                       |
|----------------|---------------------------------------------------------------------------------------------------------------------------------------------------------------------------------------------------------------------------------------------------------------------------------------|
| Function:      | Shifts a bit into an array or structure. The address may be an array identifier or an address to a structure (such as &data). Bit 0 of the lowest byte in RAM is treated as the LSB.                                                                                                  |
| Availability:  | All devices                                                                                                                                                                                                                                                                           |
| Requires       | Nothing                                                                                                                                                                                                                                                                               |
| Examples:      | <pre>byte buffer[3]; for(i=0; i&lt;=24; ++i){     // Wait for clock high     while (!input(PIN_A2));     shift_left(buffer,3,input(PIN_A3));     // Wait for clock low     while (input(PIN_A2)); } // reads 24 bits from pin A3,each bit is read // on a low to high on pin A2</pre> |
| Example Files: | ex_extee.c with 9356.c                                                                                                                                                                                                                                                                |
| Also See:      | shift_right(), rotate_right(), rotate_left(), <<, >>                                                                                                                                                                                                                                  |

---

## SHIFT\_RIGHT()

|               |                                                                                                                                                                                      |
|---------------|--------------------------------------------------------------------------------------------------------------------------------------------------------------------------------------|
| Syntax:       | shift_right ( <i>address</i> , <i>bytes</i> , <i>value</i> )                                                                                                                         |
| Parameters:   | <i>address</i> is a pointer to memory, <i>bytes</i> is a count of the number of bytes to work with, <i>value</i> is a 0 to 1 to be shifted in.                                       |
| Returns:      | 0 or 1 for the bit shifted out                                                                                                                                                       |
| Function:     | Shifts a bit into an array or structure. The address may be an array identifier or an address to a structure (such as &data). Bit 0 of the lowest byte in RAM is treated as the LSB. |
| Availability: | All devices                                                                                                                                                                          |

Requires: Nothing

Examples:

```
// reads 16 bits from pin A1, each bit is read
// on a low to high on pin A2
struct {
 byte time;
 byte command : 4;
 byte source : 4;} msg;

for(i=0; i<=16; ++i) {
 while(!input(PIN_A2));
 shift_right(&msg,3,input(PIN_A1));
 while (input(PIN_A2)) ;}

// This shifts 8 bits out PIN_A0, LSB first.
for(i=0;i<8;++i)
 output_bit(PIN_A0,shift_right(&data,1,0));
```

Example Files: ex\_extee.c with 9356.c

Also See: shift\_left(), rotate\_right(), rotate\_left(), <<, >>

---

**SIN()**  
**COS()**  
**TAN()**  
**ASIN()**  
**ACOS()**  
**ATAN()**  
**SINH()**  
**COSH()**  
**TANH()**  
**ATAN2()**

Syntax:

```
val = sin (rad)
val = cos (rad)
val = tan (rad)
rad = asin (val)
rad1 = acos (val)
rad = atan (val)
rad2=atan2(val, val)
result=sinh(value)
```

result=cosh(*value*)  
result=tanh(*value*)

Parameters: *rad* is a float representing an angle in Radians -2pi to 2pi. *val* is a float with the range -1.0 to 1.0. *Value* is a float.

Returns: *rad* is a float representing an angle in Radians -pi/2 to pi/2

*val* is a float with the range -1.0 to 1.0.

*rad1* is a float representing an angle in Radians 0 to pi

*rad2* is a float representing an angle in Radians -pi to pi  
Result is a float

Function: These functions perform basic Trigonometric functions.  
*sin* returns the sine value of the parameter (measured in radians)  
*cos* returns the cosine value of the parameter (measured in radians)  
*tan* returns the tangent value of the parameter (measured in radians)  
*asin* returns the arc sine value in the range [-pi/2,+pi/2] radians  
*acos* returns the arc cosine value in the range[0,pi] radians  
*atan* returns the arc tangent value in the range [-pi/2,+pi/2] radians  
*atan2* returns the arc tangent of y/x in the range [-pi,+pi] radians  
*sinh* returns the hyperbolic sine of x  
*cosh* returns the hyperbolic cosine of x  
*tanh* returns the hyperbolic tangent of x

Note on error handling:

If "errno.h" is included then the domain and range errors are stored in the *errno* variable. The user can check the *errno* to see if an error has occurred and print the error using the *perror* function.

Domain error occurs in the following cases:

asin: when the argument not in the range[-1,+1]  
 acos: when the argument not in the range[-1,+1]  
 atan2: when both arguments are zero

Range error occur in the following cases:

cosh: when the argument is too large  
 sinh: when the argument is too large

Availability: All devices

Requires: math.h must be included.

Examples:
 

```
float phase;
// Output one sine wave
for(phase=0; phase<2*3.141596; phase+=0.01)
 set_analog_voltage(sin(phase)+1);
```

Example Files: ex\_tank.c

Also See: log(), log10(), exp(), pow(), sqrt()

---

## SINH()

See: SIN()

---

## SLEEP()

Syntax: sleep()

Parameters: None

Returns: Undefined

Function: Issues a SLEEP instruction. Details are device dependent however in general the part will enter low power mode and halt program execution until woken by specific external events. Depending on the cause of the wake up execution may continue after the sleep instruction. The compiler inserts a sleep() after the last

statement in main().

Availability: All devices

Requires Nothing

Examples: `SLEEP()` ;

Example Files: `ex_wakup.c`

Also See: `reset_cpu()`

---

## **SPI\_DATA\_IS\_IN()**

Syntax: `result = spi_data_is_in()`

Parameters: None

Returns: 0 (FALSE) or 1 (TRUE)

Function: Returns TRUE if data has been received over the SPI.

Availability: This function is only available on devices with SPI hardware.

Requires Nothing

Examples: 

```
while(!spi_data_is_in() && input(PIN_B2));
if(spi_data_is_in())
 data = spi_read();
```

Example Files: None

Also See: `spi_read()`, `spi_write()`

---

## **SPI\_READ()**



|                |                                                                                                                                                                                                                                                                                                                                                                                                                                                                                                                                                                                                                           |
|----------------|---------------------------------------------------------------------------------------------------------------------------------------------------------------------------------------------------------------------------------------------------------------------------------------------------------------------------------------------------------------------------------------------------------------------------------------------------------------------------------------------------------------------------------------------------------------------------------------------------------------------------|
| Syntax:        | <code>value = spi_read (<i>data</i>)</code>                                                                                                                                                                                                                                                                                                                                                                                                                                                                                                                                                                               |
| Parameters:    | <i>data</i> is optional and if included is an 8 bit int.                                                                                                                                                                                                                                                                                                                                                                                                                                                                                                                                                                  |
| Returns:       | An 8 bit int                                                                                                                                                                                                                                                                                                                                                                                                                                                                                                                                                                                                              |
| Function:      | <p>Return a value read by the SPI. If a value is passed to SPI_READ the data will be clocked out and the data received will be returned. If no data is ready, SPI_READ will wait for the data.</p> <p>If this device supplies the clock then either do a SPI_WRITE(data) followed by a SPI_READ() or do a SPI_READ(data). These both do the same thing and will generate a clock. If there is no data to send just do a SPI_READ(0) to get the clock.</p> <p>If the other device supplies the clock then either call SPI_READ() to wait for the clock and data or use SPI_DATA_IS_IN() to determine if data is ready.</p> |
| Availability:  | This function is only available on devices with SPI hardware.                                                                                                                                                                                                                                                                                                                                                                                                                                                                                                                                                             |
| Requires       | Nothing                                                                                                                                                                                                                                                                                                                                                                                                                                                                                                                                                                                                                   |
| Examples:      | <code>in_data = spi_read(out_data);</code>                                                                                                                                                                                                                                                                                                                                                                                                                                                                                                                                                                                |
| Example Files: | <code>ex_spi.c</code>                                                                                                                                                                                                                                                                                                                                                                                                                                                                                                                                                                                                     |
| Also See:      | <code>spi_data_is_in()</code> , <code>spi_write()</code>                                                                                                                                                                                                                                                                                                                                                                                                                                                                                                                                                                  |

---

## **SPI\_WRITE()**

|             |                                       |
|-------------|---------------------------------------|
| Syntax:     | <code>SPI_WRITE (<i>value</i>)</code> |
| Parameters: | <i>value</i> is an 8 bit int          |
| Returns:    | Nothing                               |

|                |                                                                                                                                  |
|----------------|----------------------------------------------------------------------------------------------------------------------------------|
| Function:      | Sends a byte out the SPI interface. This will cause 8 clocks to be generated. This function will write the value out to the SPI. |
| Availability:  | This function is only available on devices with SPI hardware.                                                                    |
| Requires       | Nothing                                                                                                                          |
| Examples:      | <pre>spi_write( data_out );<br/>data_in = spi_read();</pre>                                                                      |
| Example Files: | ex_spi.c                                                                                                                         |
| Also See:      | spi_read(), spi_data_is_in()                                                                                                     |

---

## PRINTF()

|               |                                                                                                                                                                                                                                                                 |
|---------------|-----------------------------------------------------------------------------------------------------------------------------------------------------------------------------------------------------------------------------------------------------------------|
| Syntax:       | <code>printf(<b>string</b>, <b>cstring</b>, <b>values</b>...);</code>                                                                                                                                                                                           |
| Parameters:   | <b>string</b> is an array of characters.<br><b>cstring</b> is a constant string or an array of characters null terminated. <b>Values</b> are a list of variables separated by commas.                                                                           |
| Returns:      | Nothing                                                                                                                                                                                                                                                         |
| Function:     | This function operates like printf except that the output is placed into the specified string. The output string will be terminated with a null. No checking is done to ensure the string is large enough for the data. See printf() for details on formatting. |
| Availability: | All devices.                                                                                                                                                                                                                                                    |
| Requires      | Nothing                                                                                                                                                                                                                                                         |
| Examples:     | <pre>char mystring[20];<br/>long mylong;</pre>                                                                                                                                                                                                                  |

```
mylong=1234;
sprintf(mystring,"%lu",mylong);
// mystring now has:
// < 1 2 3 4 > \0
```

Example Files: None

Also See: printf()

---

## SQRT()

Syntax: result = sqrt (*value*)

Parameters: *value* is a float

Returns: A float

Function: Computes the non-negative square root of the float x. If the argument is negative, the behavior is undefined.

Note on error handling:

If "errno.h" is included then the domain and range errors are stored in the errno variable. The user can check the errno to see if an error has occurred and print the error using the perror function.

Domain error occurs in the following cases:  
sqrt: when the argument is negative

Availability: All devices.

Requires #include <math.h>

Examples: distance = sqrt( sqrt(x1-x2) + sqrt(y1-y2) );

Example Files: None

Also See: None

## **SRAND()**

|                |                                                                                                                                                                                                                                                                                                                                                                                              |
|----------------|----------------------------------------------------------------------------------------------------------------------------------------------------------------------------------------------------------------------------------------------------------------------------------------------------------------------------------------------------------------------------------------------|
| Syntax:        | <code>srand(<i>n</i>)</code>                                                                                                                                                                                                                                                                                                                                                                 |
| Parameters:    | <i>n</i> is the seed for a new sequence of pseudo-random numbers to be returned by subsequent calls to rand.                                                                                                                                                                                                                                                                                 |
| Returns:       | No value.                                                                                                                                                                                                                                                                                                                                                                                    |
| Function:      | The srand function uses the argument as a seed for a new sequence of pseudo-random numbers to be returned by subsequent calls to rand. If srand is then called with same seed value, the sequence of random numbers shall be repeated. If rand is called before any call to srand have been made, the same sequence shall be generated as when srand is first called with a seed value of 1. |
| Availability:  | All devices.                                                                                                                                                                                                                                                                                                                                                                                 |
| Requires       | <code>#include &lt;STDLIB.H&gt;</code>                                                                                                                                                                                                                                                                                                                                                       |
| Examples:      | <pre><code>srand(10);<br/>I=rand();</code></pre>                                                                                                                                                                                                                                                                                                                                             |
| Example Files: | None                                                                                                                                                                                                                                                                                                                                                                                         |
| Also See:      | <code>rand()</code>                                                                                                                                                                                                                                                                                                                                                                          |

---

## **STANDARD STRING FUNCTIONS**

**MEMCHR()**  
**MEMCMP()**  
**STRCAT()**  
**STRCHR()**  
**STRCMP()**  
**STRCOLL()**  
**STRCSPN()**  
**STRICMP()**  
**STRLEN()**

---

**STRLWR()**  
**STRNCAT()**  
**STRNCMP()**  
**STRNCPY()**  
**STRPBRK()**  
**STRRCHR()**  
**STRSPN()**  
**STRSTR()**  
**STRXFRM()**

|         |                                                              |                                                                                          |
|---------|--------------------------------------------------------------|------------------------------------------------------------------------------------------|
| Syntax: | <code>ptr=strcat (<i>s1</i>, <i>s2</i>)</code>               | Concatenate <i>s2</i> onto <i>s1</i>                                                     |
|         | <code>ptr=strchr (<i>s1</i>, <i>c</i>)</code>                | Find <i>c</i> in <i>s1</i> and return <code>&amp;s1[i]</code>                            |
|         | <code>ptr=strrchr (<i>s1</i>, <i>c</i>)</code>               | Same but search in reverse                                                               |
|         | <code>cresult=strcmp (<i>s1</i>, <i>s2</i>)</code>           | Compare <i>s1</i> to <i>s2</i>                                                           |
|         | <code>ireult=strncmp (<i>s1</i>, <i>s2</i>, <i>n</i>)</code> | Compare <i>s1</i> to <i>s2</i> ( <i>n</i> bytes)                                         |
|         | <code>ireult=strcmp (<i>s1</i>, <i>s2</i>)</code>            | Compare and ignore case                                                                  |
|         | <code>ptr=strncpy (<i>s1</i>, <i>s2</i>, <i>n</i>)</code>    | Copy up to <i>n</i> characters <i>s2</i> -> <i>s1</i>                                    |
|         | <code>ireult=strcspn (<i>s1</i>, <i>s2</i>)</code>           | Count of initial chars in <i>s1</i> not in <i>s2</i>                                     |
|         | <code>ireult=strspn (<i>s1</i>, <i>s2</i>)</code>            | Count of initial chars in <i>s1</i> also in <i>s2</i>                                    |
|         | <code>ireult=strlen (<i>s1</i>)</code>                       | Number of characters in <i>s1</i>                                                        |
|         | <code>ptr=strlwr (<i>s1</i>)</code>                          | Convert string to lower case                                                             |
|         | <code>ptr=strpbrk (<i>s1</i>, <i>s2</i>)</code>              | Search <i>s1</i> for first char also in <i>s2</i>                                        |
|         | <code>ptr=strstr (<i>s1</i>, <i>s2</i>)</code>               | Search for <i>s2</i> in <i>s1</i>                                                        |
|         | <code>ptr=strncat(<i>s1</i>,<i>s2</i>)</code>                | Concatenates up to <i>n</i> bytes of <i>s2</i> onto <i>s1</i>                            |
|         | <code>ireult=strcoll(<i>s1</i>,<i>s2</i>)</code>             | Compares <i>s1</i> to <i>s2</i> , both interpreted as appropriate to the current locale. |

|                                                          |                                                                                                                                                                                     |
|----------------------------------------------------------|-------------------------------------------------------------------------------------------------------------------------------------------------------------------------------------|
| <code>res=strxfrm(<i>s1</i>,<i>s2</i>,<i>n</i>)</code>   | Transforms maximum of <i>n</i> characters of <i>s2</i> and places them in <i>s1</i> , such that <code>strcmp(s1,s2)</code> will give the same result as <code>strcoll(s1,s2)</code> |
| <code>ireult=memcmp(<i>m1</i>,<i>m2</i>,<i>n</i>)</code> | Compare <i>m1</i> to <i>m2</i> ( <i>n</i> bytes)                                                                                                                                    |
| <code>ptr=memchr(<i>m1</i>,<i>c</i>,<i>n</i>)</code>     | Find <i>c</i> in first <i>n</i> characters of <i>m1</i> and return <code>&amp;m1[i]</code>                                                                                          |

Parameters: ***s1*** and ***s2*** are pointers to an array of characters (or the name of an array). Note that *s1* and *s2* MAY NOT BE A CONSTANT (like "hi").

***n*** is a count of the maximum number of character to operate on.

***c*** is a 8 bit character

***m1*** and ***m2*** are pointers to memory.

Returns: *ptr* is a copy of the *s1* pointer  
*ireult* is an 8 bit int  
result is -1 (less than), 0 (equal) or 1 (greater than)  
*res* is an integer.

Function: Functions are identified above.

Availability: All devices.

Requires `#include <string.h>`

Examples:

```
char string1[10], string2[10];

strcpy(string1,"hi ");
strcpy(string2,"there");
strcat(string1,string2);

printf("Length is %u\r\n", strlen(string1));
// Will print 8
```

Example Files: `ex_str.c`

Also See: `strcpy()`, `strtok()`

---

## STRCPY()

Syntax: `strcpy ( dest, src )`

Parameters: ***dest*** is a pointer to a RAM array of characters.  
***src*** may be either a pointer to a RAM array of characters or it may be a constant string.

Returns: undefined

Function: Copies a constant or RAM string to a RAM string. Strings are terminated with a 0.

Availability: All devices.

Requires Nothing

Examples: 

```
char string[10], string2[10];
.
.
.
strcpy (string, "Hi There");
strcpy (string2, string);
```

Example Files: `ex_str.c`

Also See: `strxxxx()`

---

## STRTOD()

Syntax: `result=strtod(nptr,& endptr)`

Parameters: ***nptr*** and ***endptr*** are strings

Returns: result is a float.  
returns the converted value in result, if any. If no

conversion could be performed, zero is returned.

**Function:** The `strtod` function converts the initial portion of the string pointed to by `nptr` to a float representation. The part of the string after conversion is stored in the object pointed to `endptr`, provided that `endptr` is not a null pointer. If `nptr` is empty or does not have the expected form, no conversion is performed and the value of `nptr` is stored in the object pointed to by `endptr`, provided `endptr` is not a null pointer.

**Availability:** All devices.

**Requires** `STDLIB.H` must be included

**Examples:**

```
float result;
char str[2]="123.45hello";
char *ptr;
result=strtod(str,&ptr);
//result is 123.45 and ptr is "hello"
```

**Example Files:** None

**Also See:** `strtol()`, `strtoul()`

---

## STRTOK()

**Syntax:** `ptr = strtok(s1, s2)`

**Parameters:** *s1* and *s2* are pointers to an array of characters (or the name of an array). Note that *s1* and *s2* MAY NOT BE A CONSTANT (like "hi"). *s1* may be 0 to indicate a continue operation.

**Returns:** `ptr` points to a character in *s1* or is 0

**Function:** Finds next token in *s1* delimited by a character from separator string *s2* (which can be different from call to call), and returns pointer to it.

First call starts at beginning of *s1* searching for the first



character NOT contained in s2 and returns null if there is none are found.

If none are found, it is the start of first token (return value). Function then searches from there for a character contained in s2.

If none are found, current token extends to the end of s1, and subsequent searches for a token will return null.

If one is found, it is overwritten by '\0', which terminates current token. Function saves pointer to following character from which next search will start.

Each subsequent call, with 0 as first argument, starts searching from the saved pointer.

|                |                                                                                                                                                                                                                                  |
|----------------|----------------------------------------------------------------------------------------------------------------------------------------------------------------------------------------------------------------------------------|
| Availability:  | All devices.                                                                                                                                                                                                                     |
| Requires       | #include <string.h>                                                                                                                                                                                                              |
| Examples:      | <pre>char string[30], term[3], *ptr;  strcpy(string, "one, two, three;"); strcpy(term, ",");  ptr = strtok(string, term); while (ptr != 0) {     puts(ptr);     ptr = strtok(0, term); } // Prints: // one // two // three</pre> |
| Example Files: | ex_str.c                                                                                                                                                                                                                         |
| Also See:      | strxxx(), strcpy()                                                                                                                                                                                                               |

---

## STRTOL()

Syntax: `result=strtol(nptr,& endptr, base)`

Parameters: *nptr* and *endptr* are strings and *base* is an integer

Returns: result is a signed long int.  
returns the converted value in result , if any. If no conversion could be performed, zero is returned.

Function: The strtol function converts the initial portion of the string pointed to by *nptr* to a signed long int representation in some radix determined by the value of *base*. The part of the string after conversion is stored in the object pointed to *endptr*, provided that *endptr* is not a null pointer. If *nptr* is empty or does not have the expected form, no conversion is performed and the value of *nptr* is stored in the object pointed to by *endptr*, provided *endptr* is not a null pointer.

Availability: All devices.

Requires: STDLIB.H must be included

Examples: 

```
signed long result;
char str[2]="123hello";
char *ptr;
result=strtol(str,&ptr,10);
//result is 123 and ptr is "hello"
```

Example Files: None

Also See: strtod(), strtoul()

---

## STRTOUL()

Syntax: result=strtoul(*nptr*,& *endptr*, *base*)

Parameters: *nptr* and *endptr* are strings and *base* is an integer

Returns: result is an unsigned long int.  
returns the converted value in result , if any. If no conversion could be performed, zero is returned.

|                |                                                                                                                                                                                                                                                                                                                                                                                                                                                                                          |
|----------------|------------------------------------------------------------------------------------------------------------------------------------------------------------------------------------------------------------------------------------------------------------------------------------------------------------------------------------------------------------------------------------------------------------------------------------------------------------------------------------------|
| Function:      | The strtoul function converts the initial portion of the string pointed to by nptr to a long int representation in some radix determined by the value of base. The part of the string after conversion is stored in the object pointed to endptr, provided that endptr is not a null pointer. If nptr is empty or does not have the expected form, no conversion is performed and the value of nptr is stored in the object pointed to by endptr, provided endptr is not a null pointer. |
| Availability:  | All devices.                                                                                                                                                                                                                                                                                                                                                                                                                                                                             |
| Requires       | STDLIB.H must be included                                                                                                                                                                                                                                                                                                                                                                                                                                                                |
| Examples:      | <pre>long result; char str[2]="123hello"; char *ptr; result=strtoul(str, &amp;ptr, 10); //result is 123 and ptr is "hello"</pre>                                                                                                                                                                                                                                                                                                                                                         |
| Example Files: | None                                                                                                                                                                                                                                                                                                                                                                                                                                                                                     |
| Also See:      | strtol(), strtod()                                                                                                                                                                                                                                                                                                                                                                                                                                                                       |

---

## SWAP()

|               |                                                                                                                                                      |
|---------------|------------------------------------------------------------------------------------------------------------------------------------------------------|
| Syntax:       | swap ( <i>lvalue</i> )                                                                                                                               |
| Parameters:   | <i>lvalue</i> is a byte variable                                                                                                                     |
| Returns:      | undefined - WARNING: this function does not return the result                                                                                        |
| Function:     | Swaps the upper nibble with the lower nibble of the specified byte. This is the same as:<br><pre>byte = (byte &lt;&lt; 4)   (byte &gt;&gt; 4);</pre> |
| Availability: | All devices.                                                                                                                                         |
| Requires      | Nothing                                                                                                                                              |

C Compiler Reference Manual  
Built-in Functions

Examples:            `x=0x45 ;`  
                      `swap(x) ;`  
                      `//x now is 0x54`

Example Files:        None

Also See:            `rotate_right()`, `rotate_left()`

---

## TAN()

See:                  `SIN()`

---

## TANH()

See:                  `SIN()`

---

## TOLOWER() TOUPPER()

Syntax:              `result = tolower ( cvalue )`  
                      `result = toupper ( cvalue )`

Parameters:         *cvalue* is a character

Returns:             An 8 bit character

Function:            These functions change the case of letters in the alphabet.

TOLOWER(X) will return 'a'..'z' for X in 'A'..'Z' and all other characters are unchanged. TOUPPER(X) will return 'A'..'Z' for X in 'a'..'z' and all other characters are unchanged.

Availability:        All devices.

Requires             Nothing

Examples: 

```
switch(toupper(getc())) {
 case 'R' : read_cmd(); break;
 case 'W' : write_cmd(); break;
 case 'Q' : done=TRUE; break;
}
```

Example Files: `ex_str.c`

Also See: `None`

---

## WRITE\_BANK()

Syntax: `write_bank (bank, offset, value)`

Parameters: *bank* is the physical RAM bank 1-3 (depending on the device), *offset* is the offset into user RAM for that bank (starts at 0), *value* is the 8 bit data to write

Returns: `undefined`

Function: Write a data byte to the user RAM area of the specified memory bank. This function may be used on some devices where full RAM access by auto variables is not efficient. For example on the PIC16C57 chip setting the pointer size to 5 bits will generate the most efficient ROM code however auto variables can not be above 1Fh. Instead of going to 8 bit pointers you can save ROM by using this function to write to the hard to reach banks. In this case the bank may be 1-3 and the offset may be 0-15.

Availability: All devices but only useful on PCB parts with memory over 1Fh and PCM parts with memory over FFh.

Requires `Nothing`

Examples: 

```
i=0; // Uses bank 1 as a RS232 buffer
do {
 c=getc();
 write_bank(1,i++,c);
} while (c!=0x13);
```

Example Files:        ex\_psp.c

Also See:            See the "Common Questions and Answers" section for  
more information.

---

## WRITE\_EEPROM()

Syntax:              write\_eeprom (*address*, *value*)

Parameters:         *address* is a 8 bit int, the range is device dependent,  
*value* is an 8 bit int

Returns:             undefined

Function:            Write a byte to the specified data EEPROM address.  
This function may take several milliseconds to execute.  
This works only on devices with EEPROM built into the  
core of the device.

For devices with external EEPROM or with a separate  
EEPROM in the same package (line the 12CE671) see  
EX\_EXTEE.c with CE51X.c, CE61X.c or CE67X.c.

Availability:        This function is only available on devices with  
supporting hardware on chip.

Requires             Nothing

Examples:            

```
#define LAST_VOLUME 10 // Location in EEPROM

volume++;
write_eeprom(LAST_VOLUME, volume);
```

Example Files:        ex\_intee.c

Also See:            read\_eeprom(), write\_program\_eeprom(),  
read\_program\_eeprom(), EX\_EXTEE.c with CE51X.c,  
CE61X.c or CE67X.c.



---

## WRITE\_EXTERNAL\_MEMORY()

|                |                                                                                                                                                                                                                                                                                                                                                                                                                |
|----------------|----------------------------------------------------------------------------------------------------------------------------------------------------------------------------------------------------------------------------------------------------------------------------------------------------------------------------------------------------------------------------------------------------------------|
| Syntax:        | <code>write_external_memory( <i>address</i>, <i>dataptr</i>, <i>count</i> )</code>                                                                                                                                                                                                                                                                                                                             |
| Parameters:    | <i>address</i> is 16 bits on PCM parts and 32 bits on PCH parts<br><i>dataptr</i> is a pointer to one or more bytes<br><i>count</i> is a 8 bit integer                                                                                                                                                                                                                                                         |
| Returns:       | undefined                                                                                                                                                                                                                                                                                                                                                                                                      |
| Function:      | Writes <i>count</i> bytes to program memory from <i>dataptr</i> to <i>address</i> . Unlike <code>WRITE_PROGRAM_EEPROM</code> and <code>WRITE_PROGRAM_FLASH</code> this function does not use any special EEPROM/FLASH write algorithm. The data is simply copied from register address space to program memory address space. This is useful for external RAM or to implement an algorithm for external flash. |
| Availability:  | Only PCH devices.                                                                                                                                                                                                                                                                                                                                                                                              |
| Requires       | Nothing                                                                                                                                                                                                                                                                                                                                                                                                        |
| Examples:      | <pre>for(i=0x1000;i&lt;=0x1fff;i++) {<br/>    value=read_adc();<br/>    write_external_memory(i, value, 2);<br/>    delay_ms(1000);<br/>}</pre>                                                                                                                                                                                                                                                                |
| Example Files: | loader.c                                                                                                                                                                                                                                                                                                                                                                                                       |
| Also See:      | <code>write_program_memory()</code> , <code>read_external_memory()</code>                                                                                                                                                                                                                                                                                                                                      |



---

**WRITE\_PROGRAM\_EEPROM()**

|                |                                                                                                                                                                                 |
|----------------|---------------------------------------------------------------------------------------------------------------------------------------------------------------------------------|
| Syntax:        | <code>write_program_eeprom (<i>address</i>, <i>data</i>)</code>                                                                                                                 |
| Parameters:    | <i>address</i> is 16 bits on PCM parts and 32 bits on PCH parts, <i>data</i> is 16 bits. The least significant bit should always be 0 in PCH.                                   |
| Returns:       | undefined                                                                                                                                                                       |
| Function:      | Writes to the specified program EEPROM area.                                                                                                                                    |
| Availability:  | Only devices that allow writes to program memory.                                                                                                                               |
| Requires       | Nothing                                                                                                                                                                         |
| Examples:      | <pre>write_program_eeprom(0,0x2800);<br/>//disables program</pre>                                                                                                               |
| Example Files: | ex_load.c, loader.c                                                                                                                                                             |
| Also See:      | <code>read_program_eeprom()</code> , <code>read_eeprom()</code> ,<br><code>write_eeprom()</code> , <code>write_program_memory()</code> ,<br><code>erase_program_eeprom()</code> |

---

**WRITE\_PROGRAM\_MEMORY()**

|             |                                                                                                                                                                                                                       |
|-------------|-----------------------------------------------------------------------------------------------------------------------------------------------------------------------------------------------------------------------|
| Syntax:     | <code>write_program_memory( <i>address</i>, <i>dataptr</i>, <i>count</i> );</code>                                                                                                                                    |
| Parameters: | <i>address</i> is 16 bits on PCM parts and 32 bits on PCH parts. <i>dataptr</i> is a pointer to one or more bytes <i>count</i> is a 8 bit integer                                                                     |
| Returns:    | undefined                                                                                                                                                                                                             |
| Function:   | Writes count bytes to program memory from dataptr to address. This function is most effective when count is a multiple of FLASH_WRITE_SIZE. Whenever this function is about to write to a location that is a multiple |

of FLASH\_ERASE\_SIZE then an erase is performed on the whole block.

Availability: Only devices that allow writes to program memory.

Requires Nothing

Examples: 

```
for(i=0x1000;i<=0x1fff;i++) {
 value=read_adc();
 write_program_memory(i, value, 2);
 delay_ms(1000);
}
```

Example Files: loader.c

Also See: write\_program\_eeprom, erase\_program\_eeprom

## Standard C Definitions

---

### errno.h

| errno.h |                    |
|---------|--------------------|
| EDOM    | Domain error value |
| ERANGE  | Range error value  |
| errno   | error value        |

---

### float.h

| float.h         |                                                                                                                                                                                                                 |
|-----------------|-----------------------------------------------------------------------------------------------------------------------------------------------------------------------------------------------------------------|
| FLT_RADIX:      | Radix of the exponent representation                                                                                                                                                                            |
| FLT_MANT_DIG:   | Number of base digits in the floating point significant                                                                                                                                                         |
| FLT_DIG:        | Number of decimal digits, q, such that any floating point number with q decimal digits can be rounded into a floating point number with p radix b digits and back again without change to the q decimal digits. |
| FLT_MIN_EXP:    | Minimum negative integer such that FLT_RADIX raised to that power minus 1 is a normalized floating-point number.                                                                                                |
| FLT_MIN_10_EXP: | Minimum negative integer such that 10 raised to that power is in the range of normalized floating-point numbers.                                                                                                |
| FLT_MAX_EXP:    | Maximum negative integer such that FLT_RADIX raised to that power minus 1 is a representable finite floating-point number.                                                                                      |
| FLT_MAX_10_EXP: | Maximum negative integer such that 10 raised to that power is in the range representable finite floating-point numbers.                                                                                         |
| FLT_MAX:        | Maximum representable finite floating point number.                                                                                                                                                             |
| FLT_EPSILON:    | The difference between 1 and the least value greater than 1 that is representable in the given floating point type.                                                                                             |
| FLT_MIN:        | Minimum normalized positive floating point number.                                                                                                                                                              |
| DBL_MANT_DIG:   | Number of base digits in the floating point significant                                                                                                                                                         |
| DBL_DIG:        | Number of decimal digits, q, such that any floating point number with q decimal digits can be rounded into a floating point number with p radix b digits and back again without change to the q decimal digits. |

|                  |                                                                                                                                                                                                                 |
|------------------|-----------------------------------------------------------------------------------------------------------------------------------------------------------------------------------------------------------------|
| DBL_MIN_EXP:     | Minimum negative integer such that FLT_RADIX raised to that power minus 1 is a normalized floating-point number.                                                                                                |
| DBL_MIN_10_EXP:  | Minimum negative integer such that 10 raised to that power is in the range of normalized floating-point numbers.                                                                                                |
| DBL_MAX_EXP:     | Maximum negative integer such that FLT_RADIX raised to that power minus 1 is a representable finite floating-point number.                                                                                      |
| DBL_MAX_10_EXP:  | Maximum negative integer such that 10 raised to that power is in the range of representable finite floating-point numbers.                                                                                      |
| DBL_MAX:         | Maximum representable finite floating point number.                                                                                                                                                             |
| DBL_EPSILON:     | The difference between 1 and the least value greater than 1 that is representable in the given floating point type.                                                                                             |
| DBL_MIN:         | Minimum normalized positive floating point number.                                                                                                                                                              |
| LDBL_MANT_DIG:   | Number of base digits in the floating point significant                                                                                                                                                         |
| LDBL_DIG:        | Number of decimal digits, q, such that any floating point number with q decimal digits can be rounded into a floating point number with p radix b digits and back again without change to the q decimal digits. |
| LDBL_MIN_EXP:    | Minimum negative integer such that FLT_RADIX raised to that power minus 1 is a normalized floating-point number.                                                                                                |
| LDBL_MIN_10_EXP: | Minimum negative integer such that 10 raised to that power is in the range of normalized floating-point numbers.                                                                                                |
| LDBL_MAX_EXP:    | Maximum negative integer such that FLT_RADIX raised to that power minus 1 is a representable finite floating-point number.                                                                                      |
| LDBL_MAX_10_EXP: | Maximum negative integer such that 10 raised to that power is in the range of representable finite floating-point numbers.                                                                                      |
| LDBL_MAX:        | Maximum representable finite floating point number.                                                                                                                                                             |
| LDBL_EPSILON:    | The difference between 1 and the least value greater than 1 that is representable in the given floating point type.                                                                                             |
| LDBL_MIN:        | Minimum normalized positive floating point number.                                                                                                                                                              |

---

**limits.h****limits.h**

|             |                                                                 |
|-------------|-----------------------------------------------------------------|
| CHAR_BIT:   | Number of bits for the smallest object that is not a bit_field. |
| SCHAR_MIN:  | Minimum value for an object of type signed char                 |
| SCHAR_MAX:  | Maximum value for an object of type signed char                 |
| UCHAR_MAX:  | Maximum value for an object of type unsigned char               |
| CHAR_MIN:   | Minimum value for an object of type char(unsigned)              |
| CHAR_MAX:   | Maximum value for an object of type char(unsigned)              |
| MB_LEN_MAX: | Maximum number of bytes in a multibyte character.               |
| SHRT_MIN:   | Minimum value for an object of type short int                   |
| SHRT_MAX:   | Maximum value for an object of type short int                   |
| USHRT_MAX:  | Maximum value for an object of type unsigned short int          |
| INT_MIN:    | Minimum value for an object of type signed int                  |
| INT_MAX:    | Maximum value for an object of type signed int                  |
| UINT_MAX:   | Maximum value for an object of type unsigned int                |
| LONG_MIN:   | Minimum value for an object of type signed long int             |
| LONG_MAX:   | Maximum value for an object of type signed long int             |
| ULONG_MAX:  | Maximum value for an object of type unsigned long int           |

---

**locale.h****locale.h**

|             |                              |
|-------------|------------------------------|
| locale.h    | (Localization not supported) |
| lconv       | localization structure       |
| SETLOCALE() | returns null                 |
| LOCALCONV() | returns clocale              |

---

**setjmp.h****setjmp.h**

|          |                                           |
|----------|-------------------------------------------|
| jmp_buf: | An array used by the following functions  |
| setjmp:  | Marks a return point for the next longjmp |
| longjmp: | Jumps to the last marked point            |

---

## stddef.h

| stddef.h   |                                                                 |
|------------|-----------------------------------------------------------------|
| ptrdiff_t: | The basic type of a pointer                                     |
| size_t:    | The type of the sizeof operator (int)                           |
| wchar_t    | The type of the largest character set supported (char) (8 bits) |
| NULL       | A null pointer (0)                                              |

---

## stdio.h

| stdio.h |                                                                                  |
|---------|----------------------------------------------------------------------------------|
| stderr  | The standard error stream (USE RS232 specified as stream or the first USE RS232) |
| stdout  | The standard output stream (USE RS232 specified as stream last USE RS232)        |
| stdin   | The standard input stream (USE RS232 specified as stream last USE RS232)         |

---

**stdlib.h****Stdlib.h functions included just for compliance with ANSI C**

|                                                 |                                                                 |
|-------------------------------------------------|-----------------------------------------------------------------|
| div_t                                           | structure type that contains two signed integers(quot and rem). |
| ldiv_t                                          | structure type that contains two signed longs(quot and rem)     |
| EXIT_FAILURE                                    | returns 1                                                       |
| EXIT_SUCCESS                                    | returns 0                                                       |
| RAND_MAX-<br>MBCUR_MAX-<br>SYSTEM()             | 1<br>Returns 0( not supported)                                  |
| Multibyte<br>character and<br>string functions: | Multibyte characters not supported                              |
| MBLEN()                                         | Returns the length of the string.                               |
| MBTOWC()                                        | Returns 1.                                                      |
| WCTOMB()                                        | Returns 1.                                                      |
| MBSTOWCS()                                      | Returns length of string.                                       |
| WBSTOMBS()                                      | Returns length of string.                                       |





## Compiler Error Messages

### **#ENDIF with no corresponding #IF**

Compiler found a #ENDIF directive without a corresponding #IF.

### **#ERROR**

#### **A #DEVICE required before this line**

The compiler requires a #device before it encounters any statement or compiler directive that may cause it to generate code. In general #defines may appear before a #device but not much more.

#### **A numeric expression must appear here**

Some C expression (like 123, A or B+C) must appear at this spot in the code. Some expression that will evaluate to a value.

#### **Arrays of bits are not permitted**

Arrays may not be of SHORT INT. Arrays of Records are permitted but the record size is always rounded up to the next byte boundary.

#### **Attempt to create a pointer to a constant**

Constant tables are implemented as functions. Pointers cannot be created to functions. For example CHAR CONST MSG[9]={"HI THERE"}; is permitted, however you cannot use &MSG. You can only reference MSG with subscripts such as MSG[i] and in some function calls such as Printf and STRCPY.

#### **Attributes used may only be applied to a function (INLINE or SEPARATE)**

An attempt was made to apply #INLINE or #SEPARATE to something other than a function.

#### **Bad expression syntax**

This is a generic error message. It covers all incorrect syntax.

#### **Baud rate out of range**

The compiler could not create code for the specified baud rate. If the internal UART is being used the combination of the clock and the UART capabilities could not get a baud rate within 3% of the requested value. If the built in UART is not being used then the clock will not permit the indicated baud rate. For fast baud rates, a faster clock will be required.

#### **BIT variable not permitted here**

Addresses cannot be created to bits. For example &X is not permitted if X is a SHORT INT.

**Cannot change device type this far into the code**

The #DEVICE is not permitted after code is generated that is device specific. Move the #DEVICE to an area before code is generated.

**Character constant constructed incorrectly**

Generally this is due to too many characters within the single quotes. For example 'ab' is an error as is '\nr'. The backslash is permitted provided the result is a single character such as '\010' or '\n'.

**Constant out of the valid range**

This will usually occur in inline assembly where a constant must be within a particular range and it is not. For example BTFSC 3,9 would cause this error since the second operand must be from 0-8.

**Define expansion is too large**

A fully expanded DEFINE must be less than 255 characters. Check to be sure the DEFINE is not recursively defined.

**Define syntax error**

This is usually caused by a missing or mis-placed (or) within a define.

**Demo period has expired**

Please contact CCS to purchase a licensed copy.

**Different levels of indirection**

This is caused by a INLINE function with a reference parameter being called with a parameter that is not a variable. Usually calling with a constant causes this.

**Divide by zero**

An attempt was made to divide by zero at compile time using constants.

**Duplicate case value**

Two cases in a switch statement have the same value.

**Duplicate DEFAULT statements**

The DEFAULT statement within a SWITCH may only appear once in each SWITCH. This error indicates a second DEFAULT was encountered.

**Duplicate #define**

The identifier in the #define has already been used in a previous #define. To redefine an identifier use #UNDEF first. To prevent defines that may be included from multiple source do something like:

- #ifndef ID
- #define ID text
- #endif

**Duplicate function**

A function has already been defined with this name. Remember that the compiler is not case sensitive unless a #CASE is used.

**Duplicate Interrupt Procedure**

Only one function may be attached to each interrupt level. For example the #INT\_RB may only appear once in each program.

**Duplicate USE**

Some USE libraries may only be invoked once since they apply to the entire program such as #USE DELAY. These may not be changed throughout the program.

**Element is not a member**

A field of a record identified by the compiler is not actually in the record. Check the identifier spelling.

**ELSE with no corresponding IF**

Compiler found an ELSE statement without a corresponding IF. Make sure the ELSE statement always match with the previous IF statement.

**End of file while within define definition**

The end of the source file was encountered while still expanding a define. Check for a missing ).

**End of source file reached without closing comment \*/ symbol**

The end of the source file has been reached and a comment (started with /\*) is still in effect. The \*/ is missing.

**Expect ;**

**Expect }**

**Expect comma**

**Expect WHILE**

**Expecting :**

**Expecting =**

**Expecting a (**

**Expecting a , or )**

**Expecting a , or }**

**Expecting a .**

**Expecting a ; or ,**  
**Expecting a ; or {**  
**Expecting a close paren**  
**Expecting a declaration**  
**Expecting a structure/union**  
**Expecting a variable**  
**Expecting a ]**  
**Expecting a {**  
**Expecting an =**  
**Expecting an array**  
**Expecting an identifier**  
**Expecting function name**  
**Expecting an opcode mnemonic**

This must be a Microchip mnemonic such as MOVLW or BTFSC.

**Expecting LVALUE such as a variable name or \* expression**

This error will occur when a constant is used where a variable should be. For example `4=5;` will give this error.

**Expecting a basic type**

Examples of a basic type are INT and CHAR.

**Expression must be a constant or simple variable**

The indicated expression must evaluate to a constant at compile time. For example `5*3+1` is permitted but `5*x+1` where X is a INT is not permitted. If X were a DEFINE that had a constant value then it is permitted.

**Expression must evaluate to a constant**

The indicated expression must evaluate to a constant at compile time. For example `5*3+1` is permitted but `5*x+1` where X is a INT is not permitted. If X were a DEFINE that had a constant value then it is permitted.

**Expression too complex**

This expression has generated too much code for the compiler to handle for a single expression. This is very rare but if it happens, break the expression up into smaller parts.

Too many assembly lines are being generated for a single C statement. Contact CCS to increase the internal limits.

**Extra characters on preprocessor command line**

Characters are appearing after a preprocessor directive that do not apply to that directive. Preprocessor commands own the entire line unlike the normal C syntax. For example the following is an error:

```
#PRAGMA DEVICE <PIC16C74> main() { int x; x=1;}
```

**File cannot be opened**

Check the filename and the current path. The file could not be opened.

**File cannot be opened for write**

The operating system would not allow the compiler to create one of the output files. Make sure the file is not marked READ ONLY and that the compiler process has write privileges to the directory and file.

**Filename must start with " or <**

The correct syntax of a #include is one of the following two formats:

```
#include "filename.ext"
#include <filename.ext>
```

This error indicates neither a " or < was found after #include.

**Filename must terminate with " or; msg:' '**

The filename specified in a #include must terminate with a " if it starts with a ". It must terminate with a > if it starts with a <.

**Floating-point numbers not supported for this operation**

A floating-point number is not permitted in the operation near the error. For example, ++F where F is a float is not allowed.

**Function definition different from previous definition**

This is a mis-match between a function prototype and a function definition. Be sure that if a #INLINE or #SEPARATE are used that they appear for both the prototype and definition. These directives are treated much like a type specifier.

**Function used but not defined**

The indicated function had a prototype but was never defined in the program.

**Identifier is already used in this scope**

An attempt was made to define a new identifier that has already been defined.

**Illegal C character in input file**

A bad character is in the source file. Try deleting the line and re-typing it.

**Improper use of a function identifier**

Function identifiers may only be used to call a function. An attempt was made to otherwise reference a function. A function identifier should have a ( after it.

**Incorrectly constructed label**

This may be an improperly terminated expression followed by a label. For example:

```
x=5+
```

```
MPLAB:
```

**Initialization of unions is not permitted**

Structures can be initialized with an initial value but UNIONS cannot be.

**Internal compiler limit reached**

The program is using too much of something. An internal compiler limit was reached. Contact CCS and the limit may be able to be expanded.

**Interrupt handler uses too much stack**

Too many stack locations are being used by an interrupt handler.

**Invalid conversion from LONG INT to INT**

In this case, a LONG INT cannot be converted to an INT. You can type cast the LONG INT to perform a truncation. For example:

```
I = INT(LI);
```

**Internal Error - Contact CCS**

This error indicates the compiler detected an internal inconsistency. This is not an error with the source code; although, something in the source code has triggered the internal error. This problem can usually be quickly corrected by sending the source files to CCS so the problem can be re-created and corrected.

In the meantime if the error was on a particular line, look for another way to perform the same operation. The error was probably caused by the syntax of the identified statement. If the error was the last line of the code, the problem was in linking. Look at the call tree for something out of the ordinary.

**Invalid parameters to built in function**

Built-in shift and rotate functions (such as SHIFT\_LEFT) require an expression that evaluates to a constant to specify the number of bytes.

**Invalid ORG range**

The end address must be greater than or equal to the start address. The range may not overlap another range. The range may not include locations 0-3. If only one address is specified it must match the start address of a previous #org.

**Invalid Pre-Processor directive**

The compiler does not know the preprocessor directive. This is the identifier in one of the following two places:

```
#xxxxx
#PRAGMA xxxxx
```

**Library in USE not found**

The identifier after the USE is not one of the pre-defined libraries for the compiler. Check the spelling.

**Linker option not compatible with prior options**

Conflicting linker options are specified. For example using both the EXCEPT= and ONLY= options in the same directive is not legal.

**LVALUE required**

This error will occur when a constant is used where a variable should be. For example 4=5; will give this error.

**Macro identifier requires parameters**

A #DEFINE identifier is being used but no parameters were specified, as required. For example:

```
#define min(x,y) ((x<y)?x:y)
```

When called MIN must have a (--,--) after it such as:  
r=min(value, 6);

**Macro is defined recursively**

A C macro has been defined in such a way as to cause a recursive call to itself.

**Missing #ENDIF**

A #IF was found without a corresponding #ENDIF.

**Missing or invalid .CRG file**

The user registration file(s) are not part of the download software. In order for the software to run the files must be in the same directory as the .EXE files.

These files are on the original diskette, CD ROM or e-mail in a non-compressed format. You need only copy them to the .EXE directory. There is one .REG file for each compiler (PCB.REG, PCM.REG and PCH.REG).

**Must have a #USE DELAY before a #USE RS232**

The RS232 library uses the DELAY library. You must have a #USE DELAY before you can do a #USE RS232.

**No errors**

The program has successfully compiled and all requested output files have been created.

**No MAIN() function found**

All programs are required to have one function with the name main().

**Not enough RAM for all variables**

The program requires more RAM than is available. The symbol map shows variables allocated. The call tree shows the RAM used by each function. Additional RAM usage can be obtained by breaking larger functions into smaller ones and splitting the RAM between them.

For example, a function A may perform a series of operations and have 20 local variables declared. Upon analysis, it may be determined that there are two main parts to the calculations and many variables are not shared between the parts. A function B may be defined with 7 local variables and a function C may be defined with 7 local variables. Function A now calls B and C and combines the results and now may only need 6 variables. The savings are accomplished because B and C are not executing at the same time and the same real memory locations will be used for their 6 variables (just not at the same time). The compiler will allocate only 13 locations for the group of functions A, B, C where 20 were required before to perform the same operation.

**Number of bits is out of range**

For a count of bits, such as in a structure definition, this must be 1-8. For a bit number specification, such as in the #BIT, the number must be 0-7.



**Out of ROM, A segment or the program is too large**

A function and all of the INLINE functions it calls must fit into one segment (a hardware code page). For example, on the '56 chip a code page is 512 instructions. If a program has only one function and that function is 600 instructions long, you will get this error even though the chip has plenty of ROM left. The function needs to be split into at least two smaller functions. Even after this is done, this error may occur since the new function may be only called once and the linker might automatically INLINE it. This is easily determined by reviewing the call tree. If this error is caused by too many functions being automatically INLINED by the linker, simply add a #SEPARATE before a function to force the function to be SEPARATE. Separate functions can be allocated on any page that has room. The best way to understand the cause of this error is to review the call tree.

**Parameters not permitted**

An identifier that is not a function or preprocessor macro can not have a ( after it.

**Pointers to bits are not permitted**

Addresses cannot be created to bits. For example, &X is not permitted if X is a SHORT INT.

**Previous identifier must be a pointer**

A -> may only be used after a pointer to a structure. It cannot be used on a structure itself or other kind of variable.

**Printf format type is invalid**

An unknown character is after the % in a printf. Check the printf reference for valid formats.

**Printf format (%) invalid**

A bad format combination was used. For example, %lc.

**Printf variable count (%) does not match actual count**

The number of % format indicators in the printf does not match the actual number of variables that follow. Remember in order to print a single %, you must use %%.

**Recursion not permitted**

The linker will not allow recursive function calls. A function may not call itself and it may not call any other function that will eventually re-call it.

**Recursively defined structures not permitted**

A structure may not contain an instance of itself.

**Reference arrays are not permitted**

A reference parameter may not refer to an array.

**Return not allowed in void function**

A return statement may not have a value if the function is void.

**STDOUT not defined (may be missing #RS 232)**

An attempt was made to use a I/O function such as printf when no default I/O stream has been established. Add a #USE RS232 to define a I/O stream.

**Stream must be a constant in the valid range**

I/O functions like fputc, fgetc require a stream identifier that was defined in a #USE RS232. This identifier must appear exactly as it does when it was defined. Be sure it has not been redefined with a #define.

**String too long**

**Structure field name required**

A structure is being used in a place where a field of the structure must appear. Change to the form s.f where s is the structure name and f is a field name.

**Structures and UNIONS cannot be parameters (use \* or &)**

A structure may not be passed by value. Pass a pointer to the structure using &.

**Subscript out of range**

A subscript to a RAM array must be at least 1 and not more than 128 elements. Note that large arrays might not fit in a bank. ROM arrays may not occupy more than 256 locations.

**This linker function is not available in this compiler version.**

Some linker functions are only available if the PCW or PCWH product is installed.

**This type cannot be qualified with this qualifier**

Check the qualifiers. Be sure to look on previous lines. An example of this error is:

```
VOID X;
```

**Too many array subscripts**

Arrays are limited to 5 dimensions.

**Too many constant structures to fit into available space**

Available space depends on the chip. Some chips only allow constant structures in certain places. Look at the last calling tree to evaluate space usage. Constant structures will appear as functions with a @CONST at the beginning of the name.

**Too many elements in an ENUM**

A max of 256 elements are allowed in an ENUM.

**Too many fast interrupt handlers have been identified**

**Too many nested #INCLUDEs**

No more than 10 include files may be open at a time.

**Too many parameters**

More parameters have been given to a function than the function was defined with.

**Too many subscripts**

More subscripts have been given to an array than the array was defined with.

**Type is not defined**

The specified type is used but not defined in the program. Check the spelling.

**Type specification not valid for a function**

This function has a type specifier that is not meaningful to a function.

**Undefined identifier**

The specified identifier is being used but has never been defined. Check the spelling.

**Undefined label that was used in a GOTO**

There was a GOTO LABEL but LABEL was never encountered within the required scope. A GOTO cannot jump outside a function.

**Unknown device type**

A #DEVICE contained an unknown device. The center letters of a device are always C regardless of the actual part in use. For example, use PIC16C74 not PIC16RC74. Be sure the correct compiler is being used for the indicated device. See #DEVICE for more information.

**Unknown keyword in #FUSES**

Check the keyword spelling against the description under #FUSES.

**Unknown linker keyword**

The keyword used in a linker directive is not understood.

**Unknown type**

The specified type is used but not defined in the program. Check the spelling.

**Unprotected call in a #INT\_GLOBAL**

The interrupt function defined as #INT\_GLOBAL is intended to be assembly language or very simple C code. This error indicates the linker detected code that violated the standard memory allocation scheme. This may be caused when a C function is called from a #INT\_GLOBAL interrupt handler.

**USE parameter invalid**

One of the parameters to a USE library is not valid for the current environment.

**USE parameter value is out of range**

One of the values for a parameter to the USE library is not valid for the current environment.

---

**Compiler Warning Messages**

**Assignment inside relational expression**

Although legal it is a common error to do something like if(a=b) when it was intended to do if(a==b).

This warning indicates there may be such a typo in this line.

**Assignment to enum is not of the correct type**

If a variable is declared as a ENUM it is best to assign to the variables only elements of the enum. For example:

```
enum colors {RED, GREEN, BLUE} color;
...
color = GREEN; // OK
color = 1; // Warning 209
color = (colors)1; //OK
```

**Code has no effect**

The compiler can not discern any effect this source code could have on the generated code. Some examples:

```
1;
a==b;
1,2,3;
```

**Condition always FALSE**

This error when it has been determined at compile time that a relational expression will never be true. For example:

```
int x;
if(x>>9)
```

**Condition always TRUE**

This error when it has been determined at compile time that a relational expression will never be false. For example:

```
#define PIN_A1 41
...
if(PIN_A1) // Intended was: if(input(PIN_A1))
```

**Function not void and does not return a value**

Functions that are declared as returning a value should have a return statement with a value to be returned. Be aware that in C only functions declared VOID are not intended to return a value. If nothing is specified as a function return value "int" is assumed.

**Operator precedence rules may not be as intended, use() to clarify**

Some combinations of operators are confusing to some programmers. This warning is issued for expressions where adding() would help to clarify the meaning. For example:

```
if(x << n + 1)
```

would be more universally understood when expressed:

```
if(x << (n + 1))
```

**Structure passed by value**

Structures are usually passed by reference to a function. This warning is generated if the structure is being passed by value. This warning is not generated if the structure is less than 5 bytes.

For example:

```
void myfunct(mystruct s1) // Pass by value - Warning
myfunct(s2);
void myfunct(mystruct * s1) // Pass by reference - OK
myfunct(&s2);
void myfunct(mystruct & s1) // Pass by reference - OK
myfunct(s2);
```

**Unreachable code**

Code included in the program is never executed. For example:

```
if(n==5)
 goto do5;
goto exit;
if(n==20) // No way to get to this line
```

```
return;
```

**Unsigned variable is never less than zero**

Unsigned variables are never less than 0. This warning indicates an attempt to check to see if an unsigned variable is negative. For example the following will not work as intended:

```
int i;
for(i=10; i>=0; i--)
```

**Variable never used**

A variable has been declared and never referenced in the code.

**Variable of this data type is never greater than this constant**

A variable is being compared to a constant. The maximum value of the variable could never be larger than the constant. For example the following could never be true:

```
int x; // 8 bits, 0-255
if (x>300)
```

## Common Questions And Answers

### How does one map a variable to an I/O port?

Two methods are as follows:

```
#byte PORTB = 6
#define ALL_OUT 0
#define ALL_IN 0xff
main() {
 int i;

 set_tris_b(ALL_OUT);
 PORTB = 0; // Set all pins low
 for(i=0;i<=127;++i) // Quickly count from 0
to 127
 PORTB=i; // on the I/O port pin
 set_tris_b(ALL_IN);
 i = PORTB; // i now contains the portb value.
}
```

Remember when using the #BYTE, the created variable is treated like memory. You must maintain the tri-state control registers yourself via the SET\_TRIS\_X function. Following is an example of placing a structure on an I/O port:

```
struct port_b_layout
{int data : 4;
int rw : 1;
int cd : 1;
int enable : 1;
int reset : 1; };
struct port_b_layout port_b;
#byte port_b = 6
struct port_b_layout const INIT_1 = {0, 1,1,1,1};
struct port_b_layout const INIT_2 = {3, 1,1,1,0};
struct port_b_layout const INIT_3 = {0, 0,0,0,0};
struct port_b_layout const FOR_SEND = {0,0,0,0,0};
// All outputs
struct port_b_layout const FOR_READ =
{15,0,0,0,0};
// Data is an input

main() {
 int x;
 set_tris_b((int)FOR_SEND); // The constant
// structure is
```

```

// treated like
// a byte and
// is used to
// set the data
// direction

 port_b = INIT_1;
 delay_us(25);

port_b = INIT_2; // These constant
structures delay_us(25); // are used to set
all fields
 port_b = INIT_3; // on the port with a single
 // command

 set_tris_b((int)FOR_READ);
 port_b.rw=0;

 port_b.cd=1; // Here the individual
 port_b.enable=0; // fields are accessed
 x = port_b.data; // independently.
 port_b.enable=0
}

```



---

## Why is the RS-232 not working right?

### 1. The PIC® is Sending Garbage Characters.

A. Check the clock on the target for accuracy. Crystals are usually not a problem but RC oscillators can cause trouble with RS-232. Make sure the #USE DELAY matches the actual clock frequency.

B. Make sure the PC (or other host) has the correct baud and parity setting.

C. Check the level conversion. When using a driver/receiver chip, such as the MAX 232, do not use INVERT when making direct connections with resistors and/or diodes. You probably need the INVERT option in the #USE RS232.

D. Remember that PUTC(6) will send an ASCII 6 to the PC and this may not be a visible character. PUTC('A') will output a visible character A.

### 2. The PIC® is Receiving Garbage Characters.

A. Check all of the above.

### 3. Nothing is Being Sent.

A. Make sure that the tri-state registers are correct. The mode (standard, fast, fixed) used will be whatever the mode is when the #USE RS232 is encountered. Staying with the default STANDARD mode is safest.

B. Use the following main() for testing:

```
main() {
 while (TRUE)
 putc('U');
}
```

Check the XMIT pin for activity with a logic probe, scope or whatever you can. If you can look at it with a scope, check the bit time (it should be 1/BAUD). Check again after the level converter.

### 4. Nothing is being received.

First be sure the PIC® can send data. Use the following main() for testing:

```
main() {
```

```
 printf("start");
 while(TRUE)
 putc(getc()+1);
 }
```

When connected to a PC typing A should show B echoed back.

If nothing is seen coming back (except the initial "Start"), check the RCV pin on the PIC® with a logic probe. You should see a HIGH state and when a key is pressed at the PC, a pulse to low. Trace back to find out where it is lost.

5. The PIC® is always receiving data via RS-232 even when none is being sent.
  - A. Check that the INVERT option in the USE RS232 is right for your level converter. If the RCV pin is HIGH when no data is being sent, you should NOT use INVERT. If the pin is low when no data is being sent, you need to use INVERT.
  - B. Check that the pin is stable at HIGH or LOW in accordance with A above when no data is being sent.
  - C. When using PORT A with a device that supports the SETUP\_ADC\_PORTS function make sure the port is set to digital inputs. This is not the default. The same is true for devices with a comparator on PORT A.
6. Compiler reports INVALID BAUD RATE.
  - A. When using a software RS232 (no built-in UART), the clock cannot be really slow when fast baud rates are used and cannot be really fast with slow baud rates. Experiment with the clock/baud rate values to find your limits.
  - B. When using the built-in UART, the requested baud rate must be within 3% of a rate that can be achieved for no error to occur. Some parts have internal bugs with BRGH set to 1 and the compiler will not use this unless you specify BRGH1OK in the #USE RS232 directive.

---

## How can I use two or more RS-232 ports on one PIC®?

The #USE RS232 (and I2C for that matter) is in effect for GETC, PUTC, PRINTF and KBHIT functions encountered until another #USE RS232 is found.

The #USE RS232 is not an executable line. It works much like a #DEFINE.

The following is an example program to read from one RS-232 port (A) and echo the data to both the first RS-232 port (A) and a second RS-232 port (B).

```
#USE RS232 (BAUD=9600, XMIT=PIN_B0, RCV=PIN_B1)
void put_to_a(char c) {
 put(c);
}
char get_from_a() {
 return(getc()); }
#USE RS232 (BAUD=9600, XMIT=PIN_B2, RCV=PIN_B3)
void put_to_b(char b) {
 putc(c);
}
main() {
 char c;
 put_to_a("Online\n\r");
 put_to_b("Online\n\r");
 while(TRUE) {
 c=get_from_a();
 put_to_b(c);
 put_to_a(c);
 }
}
```

The following will do the same thing but is less readable:

```
#USE RS232 (BAUD=9600, XMIT=PIN_B0, RCV=PIN_B1,
STREAM=COM_A)
#USE RS232 (BAUD=9600, XMIT=PIN_B2, RCV=PIN_B3,
STREAM=COM_B)

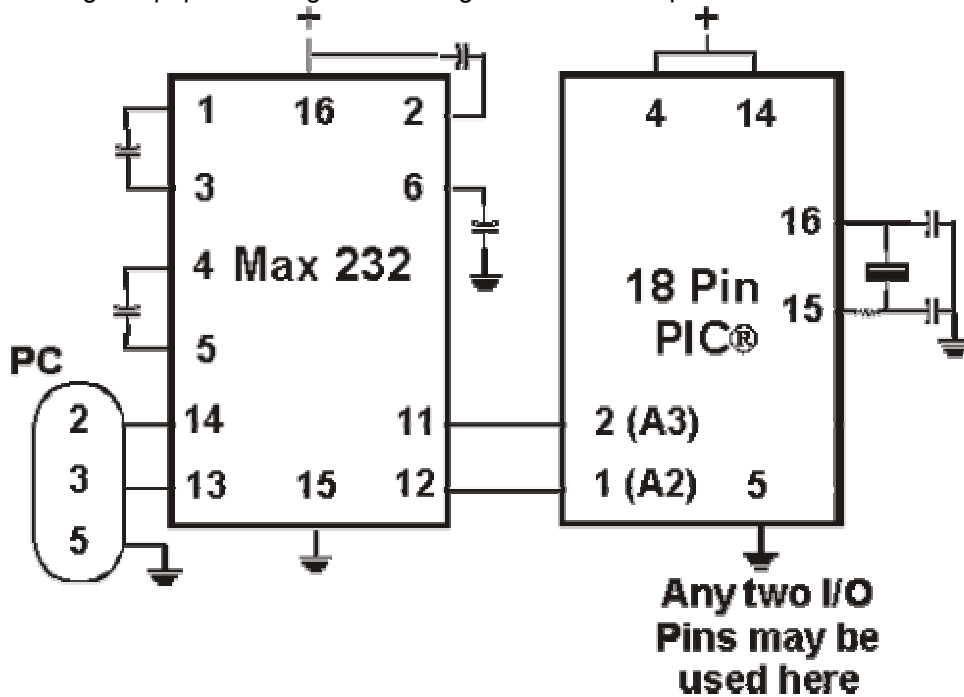
main() {
 char c;
 fprintf(COM_A,"Online\n\r");
 fprintf(COM_B,"Online\n\r");
 while(TRUE) {
 c = fgetc(COM_A);
```

```
 fputc(c, COM_A);
 fputc(c, COM_B);
 }
}
```

---

### How does the PIC® connect to a PC?

A level converter should be used to convert the TTL (0-5V) levels that the PIC® operates with to the RS-232 voltages (+/- 3-12V) used by the PIC®. The following is a popular configuration using the MAX232 chip as a level converter.



---

**What can be done about an OUT OF RAM error?**

The compiler makes every effort to optimize usage of RAM. Understanding the RAM allocation can be a help in designing the program structure. The best re-use of RAM is accomplished when local variables are used with lots of functions. RAM is re-used between functions not active at the same time. See the NOT ENOUGH RAM error message in this manual for a more detailed example.

RAM is also used for expression evaluation when the expression is complex. The more complex the expression, the more scratch RAM locations the compiler will need to allocate to that expression. The RAM allocated is reserved during the execution of the entire function but may be re-used between expressions within the function. The total RAM required for a function is the sum of the parameters, the local variables and the largest number of scratch locations required for any expression within the function. The RAM required for a function is shown in the call tree after the RAM=. The RAM stays used when the function calls another function and new RAM is allocated for the new function. However when a function RETURNS the RAM may be re-used by another function called by the parent. Sequential calls to functions each with their own local variables is very efficient use of RAM as opposed to a large function with local variables declared for the entire process at once.

Be sure to use SHORT INT (1 bit) variables whenever possible for flags and other boolean variables. The compiler can pack eight such variables into one byte location. The compiler does this automatically whenever you use SHORT INT. The code size and ROM size will be smaller.

Finally, consider an external memory device to hold data not required frequently. An external 8 pin EEPROM or SRAM can be connected to the PIC® with just 2 wires and provide a great deal of additional storage capability. The compiler package includes example drivers for these devices. The primary drawback is a slower access time to read and write the data. The SRAM will have fast read and write with memory being lost when power fails. The EEPROM will have a very long write cycle, but can retain the data when power is lost.

## Why does the .LST file look out of order?

The list file is produced to show the assembly code created for the C source code. Each C source line has the corresponding assembly lines under it to show the compiler's work. The following three special cases make the .LST file look strange to the first time viewer. Understanding how the compiler is working in these special cases will make the .LST file appear quite normal and very useful.

1. Stray code near the top of the program is sometimes under what looks like a non-executable source line.

Some of the code generated by the compiler does not correspond to any particular source line. The compiler will put this code either near the top of the program or sometimes under a #USE that caused subroutines to be generated.

2. The addresses are out of order.

The compiler will create the .LST file in the order of the C source code. The linker has re-arranged the code to properly fit the functions into the best code pages and the best half of a code page. The resulting code is not in source order. Whenever the compiler has a discontinuity in the .LST file, it will put a \* line in the file. This is most often seen between functions and in places where INLINE functions are called. In the case of an INLINE function, the addresses will continue in order up where the source for the INLINE function is located.

3. The compiler has gone insane and generated the same instruction over and over.

### For example:

```
.....A=0;
03F: CLRF 15
*
46:CLRF 15
*
051: CLRF 15
*
113: CLRF 15
```

This effect is seen when the function is an INLINE function and is called from more than one place. In the above case, the A=0 line is in an INLINE function called in four places. Each place it is called from gets a new copy of the code. Each instance of the code is shown along with the original source line, and the result may look unusual until the addresses and the \* are noticed.

---

## How does the compiler determine TRUE and FALSE on expressions?

When relational expressions are assigned to variables, the result is always 0 or 1.

**For example:**

```
bytevar = 5>0; //bytevar will be 1
bytevar = 0>5; //bytevar will be 0
```

The same is true when relational operators are used in expressions.

**For example:**

```
bytevar = (x>y)*4;
```

is the same as:

```
if(x>y)
 bytevar=4;
else
 bytevar=0;
```

SHORT INTs (bit variables) are treated the same as relational expressions. They evaluate to 0 or 1.

When expressions are converted to relational expressions or SHORT INTs, the result will be FALSE (or 0) when the expression is 0, otherwise the result is TRUE (or 1).

**For example:**

```
bytevar = 54;
bitvar = bytevar; //bitvar will be 1 (bytevar != 0)

if(bytevar) //will be TRUE
 bytevar = 0;
bitvar = bytevar; //bitvar will be 0
```

### **Why does the compiler use the obsolete TRIS?**

The use of TRIS causes concern for some users. The Microchip data sheets recommend not using TRIS instructions for upward compatibility. If you had existing ASM code and it used TRIS then it would be more difficult to port to a new Microchip part without TRIS. C does not have this problem, however; the compiler has a device database that indicates specific characteristics for every part. This includes information on whether the part has a TRIS and a list of known problems with the part. The latter question is answered by looking at the device errata.

CCS makes every attempt to add new devices and device revisions as the data and errata sheets become available.

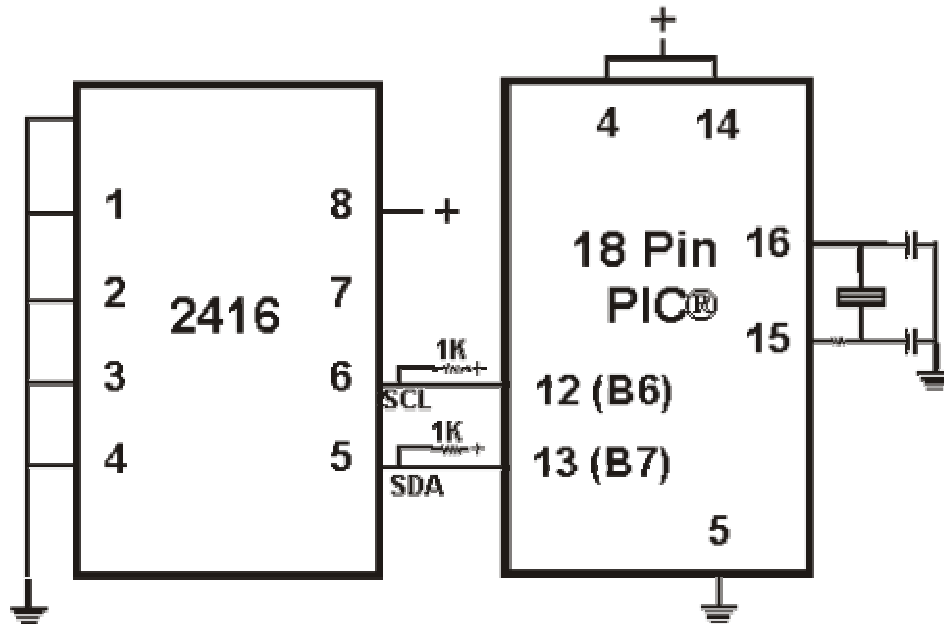
PCW users can edit the device database. If the use of TRIS is a concern, simply change the database entry for your part and the compiler will not use it.



---

### How does the PIC® connect to an I2C device?

Two I/O lines are required for I2C. Both lines must have pullup registers. Often the I2C device will have a H/W selectable address. The address set must match the address in S/W. The example programs all assume the selectable address lines are grounded.




---

### Instead of 800, the compiler calls 0. Why?

The PIC® ROM address field in opcodes is 8-10 Bits depending on the chip and specific opcode. The rest of the address bits come from other sources. For example, on the 174 chip to call address 800 from code in the first page you will see:

```
BSF0A, 3
CALL 0
```

The call 0 is actually 800H since Bit 11 of the address (Bit 3 of PCLATH, Reg 0A) has been set.

### **Instead of A0, the compiler is using register 20. Why?**

The PIC® RAM address field in opcodes is 5-7 bits long, depending on the chip. The rest of the address field comes from the status register. For example, on the 74 chip to load A0 into W you will see:

```
BSF 3,5
MOVFW 20
```

Note that the BSF may not be immediately before the access since the compiler optimizes out the redundant bank switches.

---

## How do I directly read/write to internal registers?

A hardware register may be mapped to a C variable to allow direct read and write capability to the register. The following is an example using the TIMER0 register:

```
#BYTE timer0 = 0x01
timer0= 128; //set timer0 to 128
while (timer0 != 200); // wait for timer0 to reach
200
```

Bits in registers may also be mapped as follows:

```
#BIT T0IF = 0x0B.2
.
.
.
while (!T0IF); //wait for timer0 interrupt
```

Registers may be indirectly addressed as shown in the following example:

```
printf ("enter address:");
a = gethex();
printf ("\r\n value is %x\r\n", *a);
```

The compiler has a large set of built-in functions that will allow one to perform the most common tasks with C function calls. When possible, it is best to use the built-in functions rather than directly write to registers. Register locations change between chips and some register operations require a specific algorithm to be performed when a register value is changed. The compiler also takes into account known chip errata in the implementation of the built-in functions. For example, it is better to do `set_tris_A(0)`; rather than `*0x85=0`;

### How can a constant data table be placed in ROM?

The compiler has support for placing any data structure into the device ROM as a constant read-only element. Since the ROM and RAM data paths are separate in the PIC®, there are restrictions on how the data is accessed. For example, to place a 10 element BYTE array in ROM use:

```
BYTE CONST TABLE [10]= {9,8,7,6,5,4,3,2,1,0};
```

and to access the table use:

```
x = TABLE [i];
```

OR

```
x = TABLE [5];
```

BUT NOT

```
ptr = &TABLE [i];
```

In this case, a pointer to the table cannot be constructed.

Similar constructs using CONST may be used with any data type including structures, longs and floats.

Note that in the implementation of the above table, a function call is made when a table is accessed with a subscript that cannot be evaluated at compile time.

---

## How can the RB interrupt be used to detect a button press?

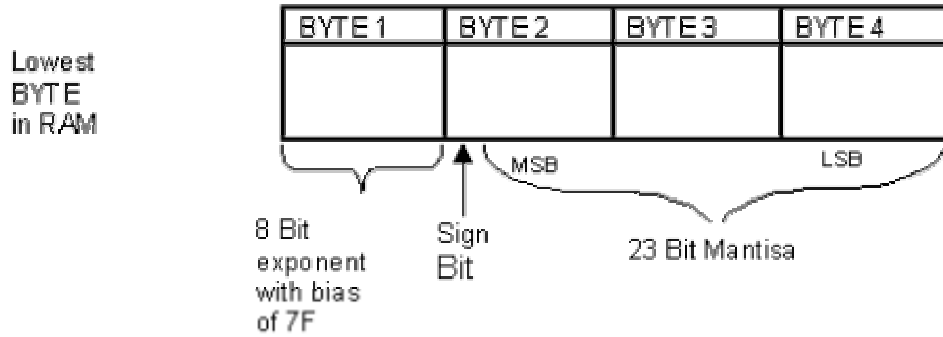
The RB interrupt will happen when there is any change (input or output) on pins B4-B7. There is only one interrupt and the PIC® does not tell you which pin changed. The programmer must determine the change based on the previously known value of the port. Furthermore, a single button press may cause several interrupts due to bounce in the switch. A debounce algorithm will need to be used. The following is a simple example:

```
#int_rb
rb_isr() {
 byte changes;
 changes = last_b ^ port_b;
 last_b = port_b;
 if (bit_test(changes,4) && !bit_test(last_b,4)){
 //b4 went low
 }
 if (bit_test(changes,5) && !bit_test (last_b,5)){
 //b5 went low
 }
 .
 .
 .
 delay_ms (100); //debounce
}
```

The delay=ms (100) is a quick and dirty debounce. In general, you will not want to sit in an ISR for 100 MS to allow the switch to debounce. A more elegant solution is to set a timer on the first interrupt and wait until the timer overflows. Don't process further changes on the pin.

## What is the format of floating point numbers?

CCS uses the same format Microchip uses in the 14000 calibration constants. PCW users have a utility PCONVERT that will provide easy conversion to/from decimal, hex and float in a small window in Windows. See EX\_FLOAT.C for a good example of using floats or float types variables. The format is as follows:



### Example Number

|             |    |    |    |    |
|-------------|----|----|----|----|
| 0           | 00 | 00 | 00 | 00 |
| 1           | 7F | 00 | 00 | 00 |
| -1          | 7F | 80 | 00 | 00 |
| 10          | 82 | 20 | 00 | 00 |
| 100         | 85 | 48 | 00 | 00 |
| 123.45      | 85 | 76 | E6 | 66 |
| 123.45E20   | C8 | 27 | 4E | 53 |
| 123.45 E-20 | 43 | 36 | 2E | 17 |

Lowest BYTE in RAM

---

## Why does the compiler show less RAM than there really is?

Some devices make part of the RAM much more ineffective to access than the standard RAM. In particular, the 509, 57, 66, 67,76 and 77 devices have this problem.

By default, the compiler will not automatically allocate variables to the problem RAM and, therefore, the RAM available will show a number smaller than expected.

There are three ways to use this RAM:

1. Use #BYTE or #BIT to allocate a variable in this RAM. Do NOT create a pointer to these variables.

### Example:

```
#BYTE counter=0x30
```

2. Use Read\_Bank and Write\_Bank to access the RAM like an array. This works well if you need to allocate an array in this RAM.

### Example:

```
For (i=0;i<15;i++)
 Write_Bank(1,i,getc());
For (i=0;i<=15;i++)
 PUTC(Read_Bank(1,i));
```

3. You can switch to larger pointers for full RAM access (this takes more ROM). In PCB add \*=8 to the #device and in PCM/PCH add \*=16 to the #device.

### Example:

```
#DEVICE PIC16C77 *=16
```

or

```
#include <16C77.h>
#device *=16
```

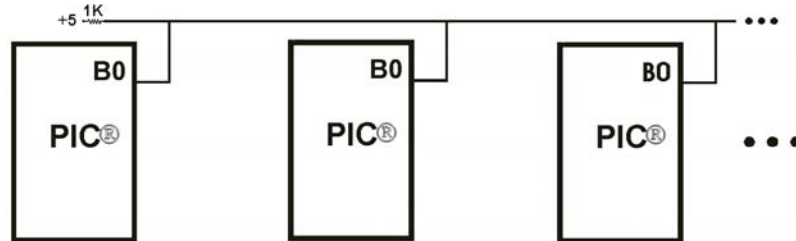
---

### What is an easy way for two or more PICs® to communicate?

There are two example programs (EX\_PBUSM.C and EX\_PBUSR.C) that show how to use a simple one-wire interface to transfer data between PICs®. Slower data can use pin B0 and the EXT interrupt. The built-in UART may be used for high speed transfers. An RS232 driver chip may be used for long distance operations. The RS485 as well as the high speed UART require 2 pins and minor software changes. The following are some hardware configurations.

---

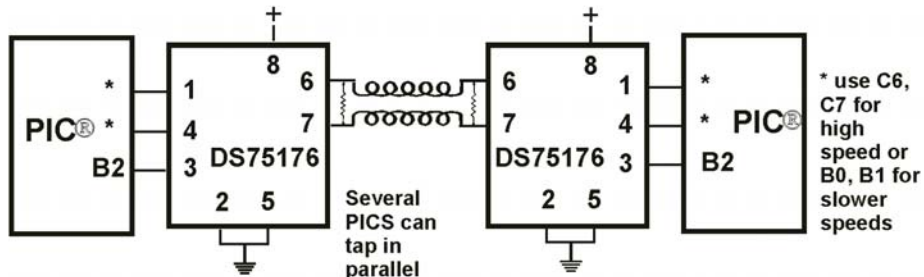
#### SIMPLE MULTIPLE PIC® BUS



```
#USE RS232 (baud=9600, float_high, bits=9, xmit=PIN_B0, rcv=PIN_B0)
```

---

#### LONG DISTANCE MUTLI-DROP BUS



```
#USE RS232 (baud=9600, bits=9, xmit=PIN_*, RCv=PIN_*, enable=PIN_B2)
```



---

## How do I write variables to EEPROM that are not a byte?

The following is an example of how to read and write a floating point number from/to EEPROM. The same concept may be used for structures, arrays or any other type.

- n is an offset into the eeprom.
- For floats you must increment it by 4.
- For example, if the first float is at 0 the second one should be at 4 and the third at 8.

```
WRITE_FLOAT_EXT_EEPROM(long int n, float data) {
 int i;

 for (i = 0; i < 4; i++)
 write_ext_eeprom(i + n, *(&data + i));
}

float READ_FLOAT_EXT_EEPROM(long int n) {
 int i;
 float data;

 for (i = 0; i < 4; i++)
 *(&data + i) = read_ext_eeprom(i + n);

 return(data);
}
```

## How do I get `getc()` to timeout after a specified time?

GETC will always wait for the character to become available. The trick is to not call `getc()` until a character is ready. This can be determined with `kbhit()`.

The following is an example of how to time out of waiting for an RS232 character.

Note that without a hardware UART the `delay_us` should be less than a tenth of a bit time (10 us at 9600 baud). With hardware you can make it up to 10 times the bit time. (1000 us at 9600 baud). Use two counters if you need a timeout value larger than 65535.

```
short timeout_error;

char timed_getc() {
 long timeout;

 timeout_error=FALSE;
 timeout=0;
 while(!kbhit&&(++timeout<50000)) // 1/2 second
 delay_us(10);
 if(kbhit())
 return(getc());
 else {
 timeout_error=TRUE;
 return(0);
 }
}
```

---

## How can I pass a variable to functions like OUTPUT\_HIGH()?

The pin argument for built in functions like OUTPUT\_HIGH need to be known at compile time so the compiler knows the port and bit to generate the correct code.

If your application needs to use a few different pins not known at compile time consider:

```
switch(pin_to_use) {
 case PIN_B3 : output_high(PIN_B3); break;
 case PIN_B4 : output_high(PIN_B4); break;
 case PIN_B5 : output_high(PIN_B5); break;
 case PIN_A1 : output_high(PIN_A1); break;
}
```

If you need to use any pin on a port use:

```
#byte portb = 6
#byte portb_tris = 0x86 // **

portb_tris &= ~(1<<bit_to_use); // **

portb |= (1<<bit_to_use); // bit_to_use is 0-7
```

If you need to use any pin on any port use:

```
*(pin_to_use/8|0x80) &= ~(1<<(pin_to_use&7)); // **

*(pin_to_use/8) |= (1<<(pin_to_use&7));
```

In all cases pin\_to\_use is the normal PIN\_A0... defines.

\*\* These lines are only required if you need to change the direction register (TRIS).

## How do I put a NOP at location 0 for the ICD?

The CCS compilers are fully compatible with Microchips ICD debugger using MPLAB. In order to prepare a program for ICD debugging (NOP at location 0 and so on) you need to add a #DEVICE ICD=TRUE after your normal #DEVICE.

For example:

```
#INCLUDE <16F877.h>
#DEVICE ICD=TRUE
```

---

## How do I do a printf to a string?

The following is an example of how to direct the output of a printf to a string. We used the \f to indicate the start of the string.

This example shows how to put a floating point number in a string.

```
main() {
 char string[20];
 float f;
 f=12.345;
 sprintf(string, "\f%f", f);
}
```

---

## How do I make a pointer to a function?

The compiler does not permit pointers to functions so that the compiler can know at compile time the complete call tree. This is used to allocate memory for full RAM re-use. Functions that could not be in execution at the same time will use the same RAM locations. In addition since there is no data stack in the PIC®, function parameters are passed in a special way that requires knowledge at compile time of what function is being called. Calling a function via a pointer will prevent knowing both of these things at compile time. Users sometimes will want function pointers to create a state machine. The following is an example of how to do this without pointers:

```
enum tasks {taskA, taskB, taskC};

run_task(tasks task_to_run) {

 switch(task_to_run) {
 case taskA : taskA_main(); break;
 case taskB : taskB_main(); break;
 case taskC : taskC_main(); break;
 }

}
```

## How much time do math operations take?

Unsigned 8 bit operations are quite fast and floating point is very slow. If possible consider fixed point instead of floating point. For example instead of "float cost\_in\_dollars;" do "long cost\_in\_cents;". For trig formulas consider a lookup table instead of real time calculations (see EX\_SINE.C for an example). The following are some rough times on a 20 mhz, 14 bit PIC®. Note times will vary depending on memory banks used.

|                 |         |
|-----------------|---------|
| 8 bit add       | <1 us   |
| 8 bit multiply  | 9 us    |
| 8 bit divide    | 20 us   |
| 16 bit add      | 2 us    |
| 16 bit multiply | 48 us   |
| 16 bit divide   | 65 us   |
| 32 bit add      | 5 us    |
| 32 bit multiply | 138 us  |
| 32 bit divide   | 162 us  |
| float add       | 32 us   |
| float multiply  | 147 us  |
| float divide    | 274 us  |
| exp()           | 1653 us |
| ln()            | 2676 us |
| sin()           | 3535 us |

---

## How are type conversions handled?

The compiler provides automatic type conversions when an assignment is performed. Some information may be lost if the destination can not properly represent the source. For example: `int8var = int16var`; Causes the top byte of `int16var` to be lost.

Assigning a smaller signed expression to a larger signed variable will result in the sign being maintained. For example, a signed 8 bit int that is -1 when assigned to a 16 bit signed variable is still -1.

Signed numbers that are negative when assigned to a unsigned number will cause the 2's complement value to be assigned. For example, assigning -1 to a `int8` will result in the `int8` being 255. In this case the sign bit is not extended (conversion to unsigned is done before conversion to more bits). This means the -1 assigned to a 16 bit unsigned is still 255.

Likewise assigning a large unsigned number to a signed variable of the same size or smaller will result in the value being distorted. For example, assigning 255 to a signed `int8` will result in -1.

The above assignment rules also apply to parameters passed to functions.

When a binary operator has operands of differing types then the lower order operand is converted (using the above rules) to the higher. The order is as follows:

- Float
- Signed 32 bit
- Unsigned 32 bit
- Signed 16 bit
- Unsigned 16 bit
- Signed 8 bit
- Unsigned 8 bit
- 1 bit

The result is then the same as the operands. Each operator in an expression is evaluated independently. For example:

```
i32 = i16 - (i8 + i8)
```

C Compiler Reference Manual  
Common Questions and Answers

The + operator is 8 bit, the result is converted to 16 bit after the addition and the - is 16 bit, that result is converted to 32 bit and the assignment is done. Note that if i8 is 200 and i16 is 400 then the result in i32 is 256. (200 plus 200 is 144 with a 8 bit +)

Explicit conversion may be done at any point with (type) inserted before the expression to be converted. For example in the above the perhaps desired effect may be achieved by doing:

```
i32 = i16 - ((long)i8 + i8)
```

In this case the first i8 is converted to 16 bit, then the add is a 16 bit add and the second i8 is forced to 16 bit.

A common C programming error is to do something like:

```
i16 = i8 * 100;
```

When the intent was:

```
i16 = (long) i8 * 100;
```

Remember that with unsigned ints (the default for this compiler) the values are never negative. For example 2-4 is 254 (in 8 bit). This means the following is an endless loop since i is never less than 0:

```
int i;
for(i=100; i>=0; i--)
```



## Example Programs

### EXAMPLE PROGRAMS

A large number of example programs are included with the software. The following is a list of many of the programs and some of the key programs are re-printed on the following pages. Most programs will work with any chip by just changing the #INCLUDE line that includes the device information. All of the following programs have wiring instructions at the beginning of the code in a comment header. The SLOW.EXE program included in the program directory may be used to demonstrate the example programs. This program will use a PC COM port to communicate with the target.

Generic header files are included for the standard PIC® parts. These files are in the DEVICES directory. The pins of the chip are defined in these files in the form PIN\_B2. It is recommended that for a given project, the file is copied to a project header file and the PIN\_xx defines be changed to match the actual hardware. For example; LCDRW (matching the mnemonic on the schematic). Use the generic include files by placing the following in your main .C file:  
`#include <16C74.H>`

LIST OF COMPLETE EXAMPLE PROGRAMS (in the EXAMPLES directory)

#### **EX\_14KAD.C**

An analog to digital program with calibration for the PIC14000

#### **EX\_1920.C**

Uses a Dallas DS1920 button to read temperature

#### **EX\_8PIN.C**

Demonstrates the use of 8 pin PICs with their special I/O requirements

#### **EX\_92LCD.C**

Uses a PIC16C92x chip to directly drive LCD glass

#### **EX\_AD12.C**

Shows how to use an external 12 bit A/D converter

#### **EX\_ADMM.C**

A/D Conversion example showing min and max analog readings

#### **EX\_CCP1S.C**

Generates a precision pulse using the PIC CCP module

**EX\_CCPMP.C**

Uses the PIC CCP module to measure a pulse width

**EX\_COMP.C**

Uses the analog comparator and voltage reference available on some PICs

**EX\_CRC.C**

Calculates CRC on a message showing the fast and powerful bit operations

**EX\_CUST.C**

Change the nature of the compiler using special preprocessor directives

**EX\_FIXED.C**

Shows fixed point numbers

**EX\_DNSLOOKUP.C**

Example to perform a DNS lookup on the internet

**EX\_DPOT.C**

Controls an external digital POT

**EX\_DTMF.C**

Generates DTMF tones

**EX\_EMAIL.C**

Program will send e-mail

**EX\_ENCOD.C**

Interfaces to an optical encoder to determine direction and speed

**EX\_EXPIO.C**

Uses simple logic chips to add I/O ports to the PIC

**EX\_EXSIO.C**

Shows how to use a multi-port external UART chip

**EX\_EXTEE.C**

Reads and writes to an external EEPROM

**EX\_FLOAT.C**

Shows how to use basic floating point

**EX\_FREQ.C**

A 50 mhz frequency counter

**EX\_GLINT.C**

Shows how to define a custom global interrupt handler for fast interrupts

**EX\_ICD.C**

Shows a simple program for use with Microchips ICD debugger

**EX\_INTEE.C**

Reads and writes to the PIC internal EEPROM

**EX\_LCDKB.C**

Displays data to an LCD module and reads data for keypad

**EX\_LCDTH.C**

Shows current, min and max temperature on an LCD

**EX\_LED.C**

Drives a two digit 7 segment LED

**EX\_LOAD.C**

Serial boot loader program for chips like the 16F877

**EX\_LOGGER.C**

A simple temperature data logger, uses the flash program memory for saving data

**EX\_MACRO.C**

Shows how powerful advanced macros can be in C

**EX\_MOUSE.C**

Shows how to implement a standard PC mouse on a PIC

**EX\_MXRAM.C**

Shows how to use all the RAM on parts with problem memory allocation

**EX\_PATG.C**

Generates 8 square waves of different frequencies

**EX\_PBUSM.C**

Generic PIC to PIC message transfer program over one wire

**EX\_PBUSR.C**

Implements a PIC to PIC shared RAM over one wire

**EX\_PBUTT.C**

Shows how to use the B port change interrupt to detect pushbuttons

**EX\_PGEN.C**

Generates pulses with period and duty switch selectable

**EX\_PLL.C**

Interfaces to an external frequency synthesizer to tune a radio

**EX\_PSP.C**

Uses the PIC PSP to implement a printer parallel to serial converter

**EX\_PULSE.C**

Measures a pulse width using timer0

**EX\_PWM.C**

Uses the PIC CCP module to generate a pulse stream

**EX\_REACT.C**

Times the reaction time of a relay closing using the CCP module

**EX\_RMSDB.C**

Calculates the RMS voltage and dB level of an AC signal

**EX\_RTC.C**

Sets and reads an external Real Time Clock using RS232

**EX\_RTCLK.C**

Sets and reads an external Real Time Clock using an LCD and keypad

**EX\_SINE.C**

Generates a sine wave using a D/A converter

**EX\_SISR.C**

Shows how to do RS232 serial interrupts

**EX\_STISR.C**

Shows how to do RS232 transmit buffering with interrupts

**EX\_SLAVE.C**

Simulates an I2C serial EEPROM showing the PIC slave mode

**EX\_SPEED.C**

Calculates the speed of an external object like a model car

**EX\_SPI.C**

Communicates with a serial EEPROM using the H/W SPI module

**EX\_SQW.C**

Simple Square wave generator

**EX\_SRAM.C**

Reads and writes to an external serial RAM

**EX\_STEP.C**

Drives a stepper motor via RS232 commands and an analog input

**EX\_STR.C**

Shows how to use basic C string handling functions

**EX\_STWT.C**

A stop Watch program that shows how to user a timer interrupt

**EX\_TANK.C**

Uses trig functions to calculate the liquid in a odd shaped tank

**EX\_TEMP.C**

Displays (via RS232) the temperature from a digital sensor

**EX\_TGETC.C**

Demonstrates how to timeout of waiting for RS232 data

**EX\_TONES.C**

Shows how to generate tones by playing "Happy Birthday"

**EX\_TOUCH.C**

Reads the serial number from a Dallas touch device

**EX\_USB\_HID.C**

Implements a USB HID device on the PIC16C765 or an external USB chip

**EX\_USB\_SCOPE.C**

Implements a USB bulk mode transfer for a simple oscilloscope on an ext USB chip

**EX\_VOICE.C**

Self learning text to voice program

**EX\_WAKUP.C**

Shows how to put a chip into sleep mode and wake it up

**EX\_WDT.C**

Shows how to use the PIC watch dog timer

**EX\_WDT18.C**

Shows how to use the PIC18 watch dog timer

**EX\_WEBSV.C**

Shows how to implement a simple web server

**EX\_X10.C**

Communicates with a TW523 unit to read and send power line X10 codes

**LIST OF INCLUDE FILES (in the DRIVERS directory)**

**14KCAL.C**

Calibration functions for the PIC14000 A/D converter

**2401.C**

Serial EEPROM functions

**2402.C**

Serial EEPROM functions

**2404.C**

Serial EEPROM functions

**2408.C**

Serial EEPROM functions

**24128.C**

Serial EEPROM functions

**2416.C**  
Serial EEPROM functions

**24256.C**  
Serial EEPROM functions

**2432.C**  
Serial EEPROM functions

**2465.C**  
Serial EEPROM functions

**25160.C**  
Serial EEPROM functions

**25320.C**  
Serial EEPROM functions

**25640.C**  
Serial EEPROM functions

**25C080.C**  
Serial EEPROM functions

**68HC68R1**  
C Serial RAM functions

**68HC68R2.C**  
Serial RAM functions

**74165.C**  
Expanded input functions

**74595.C**  
Expanded output functions

**9346.C**  
Serial EEPROM functions

**9356.C**  
Serial EEPROM functions

**9356SPI.C**

Serial EEPROM functions (uses H/W SPI)

**9366.C**

Serial EEPROM functions

**AD7705.C**

A/D Converter functions

**AD7715.C**

A/D Converter functions

**AD8400.C**

Digital POT functions

**ADS8320.C**

A/D Converter functions

**ASSERT.H**

Standard C error reporting

**AT25256.C**

Serial EEPROM functions

**AT29C1024.C**

Flash drivers for an external memory chip

**CRC.C**

CRC calculation functions

**CE51X.C**

Functions to access the 12CE51x EEPROM

**CE62X.C**

Functions to access the 12CE62x EEPROM

**CE67X.C**

Functions to access the 12CE67x EEPROM

**CTYPE.H**

Definitions for various character handling functions



**DNS.C**

Functions used to perform a DNS lookup on the internet

**DS1302.C**

Real time clock functions

**DS1621.C**

Temperature functions

**DS1621M.C**

Temperature functions for multiple DS1621 devices on the same bus

**DS1631.C**

Temperature functions

**DS1624.C**

Temperature functions

**DS1868.C**

Digital POT functions

**ERRNO.H**

Standard C error handling for math errors

**FLOAT.H**

Standard C float constants

**FLOATEE.C**

Functions to read/write floats to an EEPROM

**INPUT.C**

Functions to read strings and numbers via RS232

**ISD4003.C**

Functions for the ISD4003 voice record/playback chip

**KBD.C**

Functions to read a keypad

**LCD.C**

LCD module functions

**LIMITS.H**

Standard C definitions for numeric limits

**LMX2326.C**

PLL functions

**LOADER.C**

A simple RS232 program loader

**LOCALE.H**

Standard C functions for local language support

**LTC1298.C**

12 Bit A/D converter functions

**MATH.H**

Various standard trig functions

**MAX517.C**

D/A converter functions

**MCP3208.C**

A/D converter functions

**NJU6355.C**

Real time clock functions

**PCF8570.C**

Serial RAM functions

**PIC\_USB.H**

Hardware layer for built-in PIC USB

**RS485.C**

Driver for a RS485 protocol implementation

**S7600.H**

Driver for Seiko S7600 TCP/IP chip

**SC28L19X.C**

Driver for the Phillips external UART (4 or 8 port)

**SETJMP.H**

Standard C functions for doing jumps outside functions

**SMTP.H**

e-mail functions

**STDDEF.H**

Standard C definitions

**STDIO.H**

Not much here - Provided for standard C compatibility

**STDLIB.H**

String to number functions

**STDLIBM.H**

Standard C memory management functions

**STRING.H**

Various standard string functions

**TONES.C**

Functions to generate tones

**TOUCH.C**

Functions to read/write to Dallas touch devices

**USB.H**

Standard USB request and token handler code

**USBN960X.C**

Functions to interface to National's USBN960x USB chips

**USB.C**

USB token and request handler code, also includes usb\_desc.h and usb.h

**X10.C**

Functions to read/write X10 codes

C Compiler Reference Manual  
Example Programs

```
//
/// EX_SQW.C ///
///This program displays a message over the RS-232 and ///
/// waits for any keypress to continue. The program ///
///will then begin a 1khz square wave over I/O pin B0. ///
/// Change both delay_us to delay_ms to make the ///
/// frequency 1 hz. This will be more visible on ///
/// a LED. Configure the CCS prototype card as ///
/// follows: insert jumpers from 11 to 17, 12 to 18, ///
/// and 42 to 47. ///
//

#ifdef __PCB__
#include <16C56.H>
#else
#include <16C84.H>
#endif

#use delay(clock=20000000)
#use rs232(baud=9600, xmit=PIN_A3, rcv=PIN_A2)

main() {
 printf("Press any key to begin\n\r");
 getc();
 printf("1 khz signal activated\n\r");
 while (TRUE) {
 output_high (PIN_B0);
 delay_us(500);
 output_low(PIN_B0);
 delay_us(500);
 }
}
```

```

////////////////////////////////////
/// EX_STWT.C ///
/// This program uses the RTCC (timer0) and ///
/// interrupts to keep a real time seconds counter. ///
/// A simple stop watch function is then implemented. ///
/////Configure the CCS prototype card as follows, insert ///
/// jumpers from: 11 to 17 and 12 to 18. ///
////////////////////////////////////

#include <16C84.H>
#use delay (clock=20000000)
#use rs232(baud=9600, xmit=PIN_A3, rcv=PIN_A2)
#define INTS_PER_SECOND 76 //(20000000/(4*256*256))
byte seconds; //Number of interrupts left
 //before a second has elapsed

#int_rtcc //This function is called
clock_isr() { //every time the RTCC (timer0)
 //overflows (255->0)
 //For this program this is apx
 //76 times per second.

 if(--int_count==0) {
 ++seconds;
 int_count=INTS_PER_SECOND;
 }
}

main() {
 byte start;
 int_count=INTS_PER_SECOND;
 set_rtcc(0);
 setup_counters (RTCC_INTERNAL, RTCC_DIV_256);
 enable_interrupts (INT_RTCC);
 enable_interrupts(GLOBAL)
 do {
 printf ("Press any key to begin. \n\r");
 getc();
 start=seconds;
 printf("Press any key to stop. \n\r");
 getc();
 printf ("%u seconds. \n\r", seconds-start);
 } while (TRUE);
}

```

C Compiler Reference Manual  
Example Programs

```
////////////////////////////////////
// EX_INTEE.C //
//This program will read and write to the '83 or '84 //
// internal EEPROM. Configure the CCS prototype //
//card as follows: insert jumpers from 11 to 17 and //
// 12 to 18. //
////////////////////////////////////

#include <16C84.H>

#use delay(clock-100000000)
#use rs232 (baud=9600, xmit=PIN_A3, rv+PIN_A2)

#include <HEX.C>

main() {
 byte i,j,address, value;

 do {
 printf("\r\n\nEEPROM: \r\n") //Displays contents
 for(i=0; i<3; ++i) { //entire EEPROM
 for (j=0; j<=15; ++j) { //in hex
 printf("%2x", read_eeprom(i+16+j));

 }
 printf("\n\r");
 }
 printf ("\r\nlocation to change: ");
 address= gethex();
 printf ("\r\nNew value: ");
 value=gethex();

 write_eeprom (address, value);
 } while (TRUE)
}
```

```

////////////////////////////////////
//Library for a Microchip 93C56 configured for a x8 //
// //
// org init_ext_eeprom(); Call before the other //
// functions are used //
// //
// write_ext_eeprom(a,d); Write the byte d to //
// the address a //
// //
// d=read_ext_eeprom (a); Read the byte d from //
// the address a. //
// The main program may define eeprom_select, //
// eeprom_di, eeprom_do and eeprom_clk to override //
// the defaults below. //
////////////////////////////////////

#ifndef EEPROM_SELECT

#define EEPROM_SELECT PIN_B7
#define EEPROM_CLK PIN_B6
#define EEPROM_DI PIN_B5
#define EEPROM_DO PIN_B4

#endif

#define EEPROM_ADDRESS byte
#define EEPROM_SIZE 256

void init_ext_eeprom() {
 byte cmd[2];
 byte i;

 output_low(EEPROM_DI);
 output_low(EEPROM_CLK);
 output_low(EEPROM_SELECT);

 cmd[0]=0x80;
 cmd[1]=0x9;

 for (i=1; i<=4; ++i)
 shift_left(cmd, 2,0);
 output_high (EEPROM_SELECT);
 for (i=1; i<=12; ++i) {
 output_bit(EEPROM_DI, shift_left(cmd, 2,0));
 output_high (EEPROM_CLK);
 output_low(EEPROM_CLK);
 }
 output_low(EEPROM_DI);
 output_low(EEPROM_SELECT);
}

```

C Compiler Reference Manual  
Example Programs

```
}

void write_ext_eeprom (EEPROM_ADDRESS address, byte data) {
 byte cmd[3];
 byte i;

 cmd[0]=data;
 cmd[1]=address;
 cmd[2]=0xa;

 for(i=1;i<=4;++i)
 shift_left(cmd,3,0);
 output_high(EEPROM_SELECT);
 for(i=1;i<=20;++i) {
 output_bit (EEPROM_DI, shift_left (cmd,3,0));
 output_high (EEPROM_CLK);
 output_low(EEPROM_CLK);
 }
 output_low (EEPROM_DI);
 output_low (EEPROM_SELECT);
 delay_ms(11);
}

byte read_ext_eeprom(EEPROM_ADDRESS address) {
 byte cmd[3];
 byte i, data;

 cmd[0]=0;
 cmd[1]=address;
 cmd[2]=0xc;

 for(i=1;i<=4;++i)
 shift_left(cmd,3,0);
 output_high(EEPROM_SELECT);
 for(i=1;i<=20;++i) {
 output_bit (EEPROM_DI, shift_left (cmd,3,0));
 output_high (EEPROM_CLK);
 output_low(EEPROM_CLK);
 if (i>12)
 shift_left (&data, 1, input (EEPROM_DO));
 }
 output_low (EEPROM_SELECT);
 return(data);
}
```



## SOFTWARE LICENSE AGREEMENT

By opening the software diskette package, you agree to abide by the following provisions. If you choose not to agree with these provisions promptly return the unopened package for a refund.

1. License- Custom Computer Services ("CCS") grants you a license to use the software program ("Licensed Materials") on a single-user computer. Use of the Licensed Materials on a network requires payment of additional fees.
2. Applications Software- Derivative programs you create using the Licensed Materials identified as Applications Software, are not subject to this agreement.
3. Warranty- CCS warrants the media to be free from defects in material and workmanship and that the software will substantially conform to the related documentation for a period of thirty (30) days after the date of your purchase. CCS does not warrant that the Licensed Materials will be free from error or will meet your specific requirements.
4. Limitations- CCS makes no warranty or condition, either expressed or implied, including but not limited to any implied warranties of merchantability and fitness for a particular purpose, regarding the Licensed Materials.

Neither CCS nor any applicable licensor will be liable for an incidental or consequential damages, including but not limited to lost profits.

5. Transfers- Licensee agrees not to transfer or export the Licensed Materials to any country other than it was originally shipped to by CCS.

The Licensed Materials are copyrighted  
© 1994, 2004 Custom Computer Services Incorporated  
All Rights Reserved Worldwide  
P.O. Box 2452  
Brookfield, WI 53008